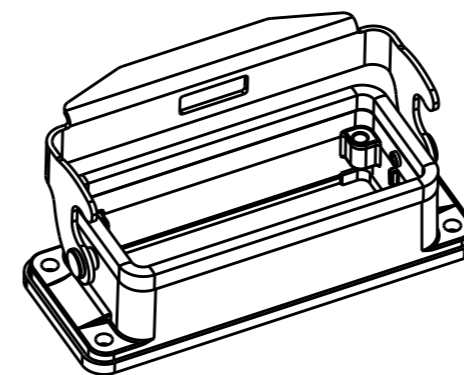
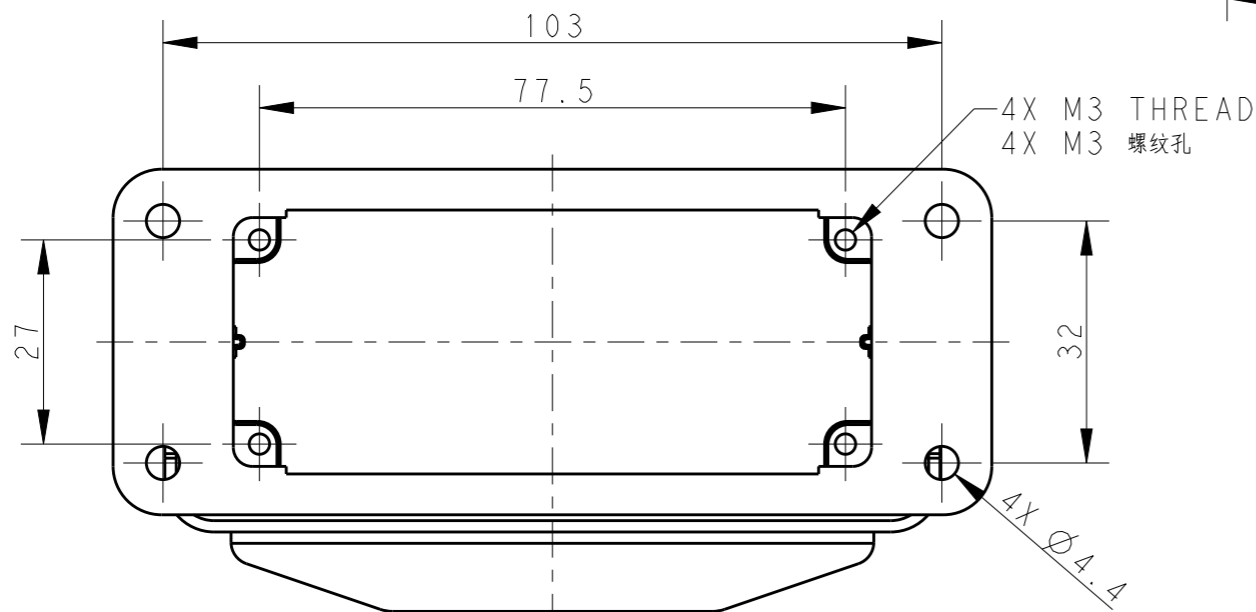
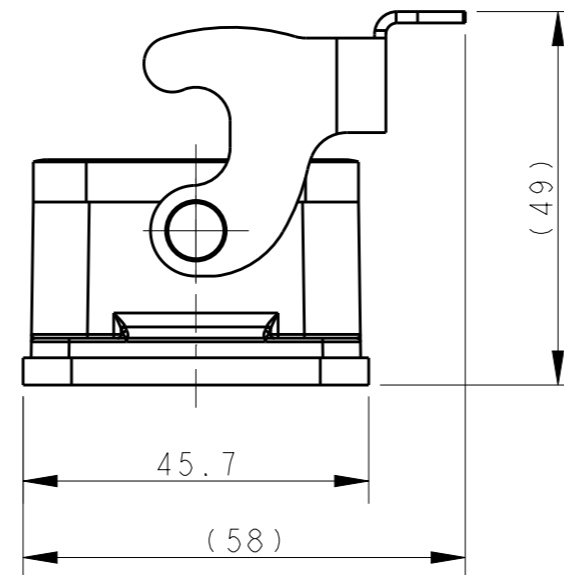
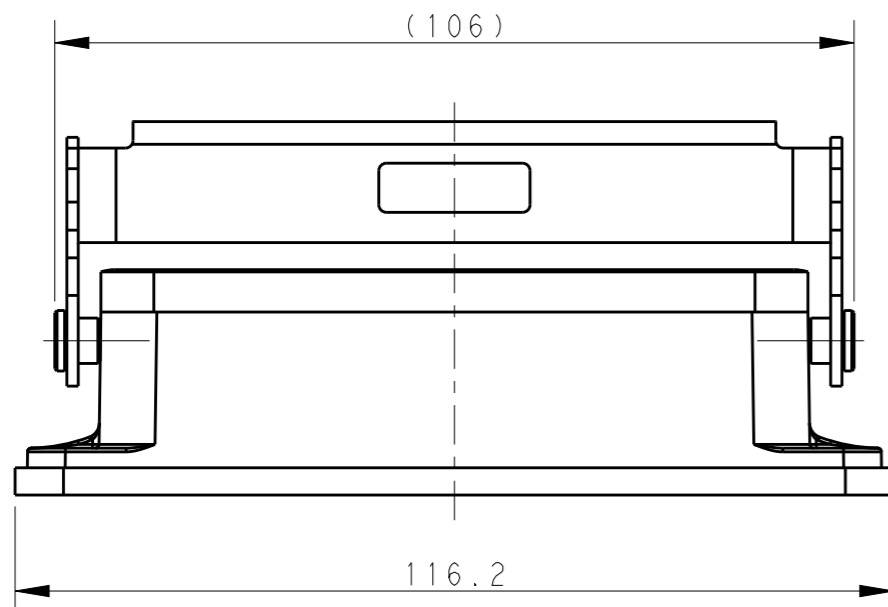


REVISIONS

P	LTR	DESCRIPTION	DATE	DWN	APVD
	A	INITIAL	28MAR2016	DW	CW
	A1	ECR-18-017710	14NOV2018	CD	CW



SCALE 1:2

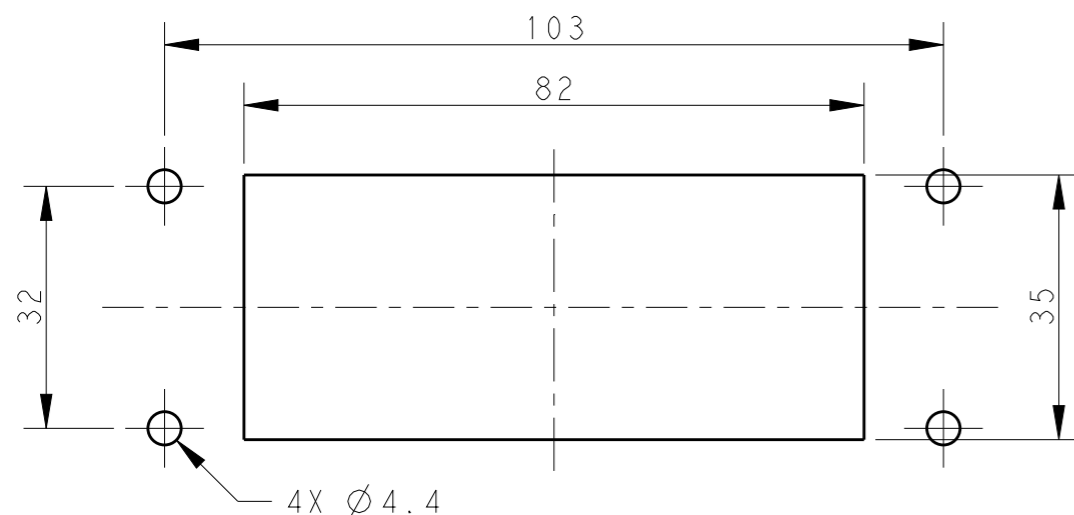
NOTES:

- 1. TECHNICAL CHARACTERISTICS:
HOUSING MATERIAL: DIE CAST ALUMINIUM ALLOY
SURFACE: SEE TABLE
DEGREE OF PROTECTION: IP65 (MATED)

注释:

- 1. 技术参数:
下壳材料: 铝合金
表面处理: 见表格
防护等级: IP65(配合)

PANEL CUT OUT



T1500162000-001	H16B-AGS-LB	H16B HOUSING, BULKHEAD MOUNTED, STAINLESS STEEL SINGLE LOCKING POWDER COATED, DEEP GREY H16B下壳, 开孔安装, 不锈钢单扣, 深灰色粉末喷涂
T1500162000-000	H16B-AGS-LB	H16B HOUSING, BULKHEAD MOUNTED, STAINLESS STEEL SINGLE LOCKING POWDER COATED, GREY H16BT壳, 开孔安装, 不锈钢单扣, 灰色粉末喷涂
PART NUMBER 零件料号	PART DESCRIPTION 零件描述	

THIS DRAWING IS A CONTROLLED DOCUMENT.

DIMENSIONS:	TOLERANCES UNLESS OTHERWISE SPECIFIED:
mm	
	0 PLC ±-
	1 PLC ±-
	2 PLC ±-
	3 PLC ±-
	4 PLC ±-
	ANGLES ±-
MATERIAL	FINISH
-	-
-	-

DWN	28MAR2016
DAVID WANG	
CHK	28MAR2016
CHRIS WANG	
APVD	28MAR2016
XIANG XU	
PRODUCT SPEC	108-137013
APPLICATION SPEC	114-137013
WEIGHT	-
Customer Drawing	



TE Connectivity

NAME		H16B-AGS-LB	
SIZE	CAGE CODE	DRAWING NO	RESTRICTED TO
A3	00779	©-T1500162000000	-
SCALE		SHEET	REV
1:1		1 OF 1	A1