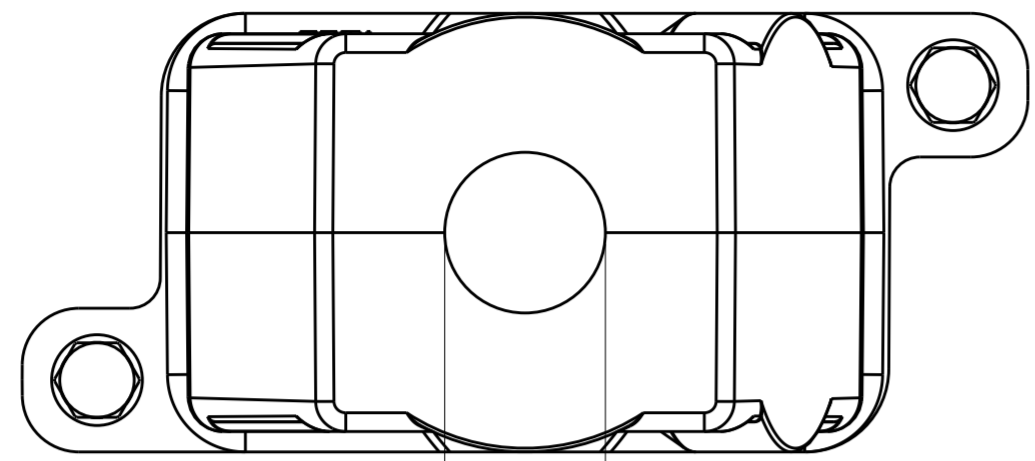


THIS DRAWING IS UNPUBLISHED. RELEASED FOR PUBLICATION 20
 © COPYRIGHT 20 BY - ALL RIGHTS RESERVED.

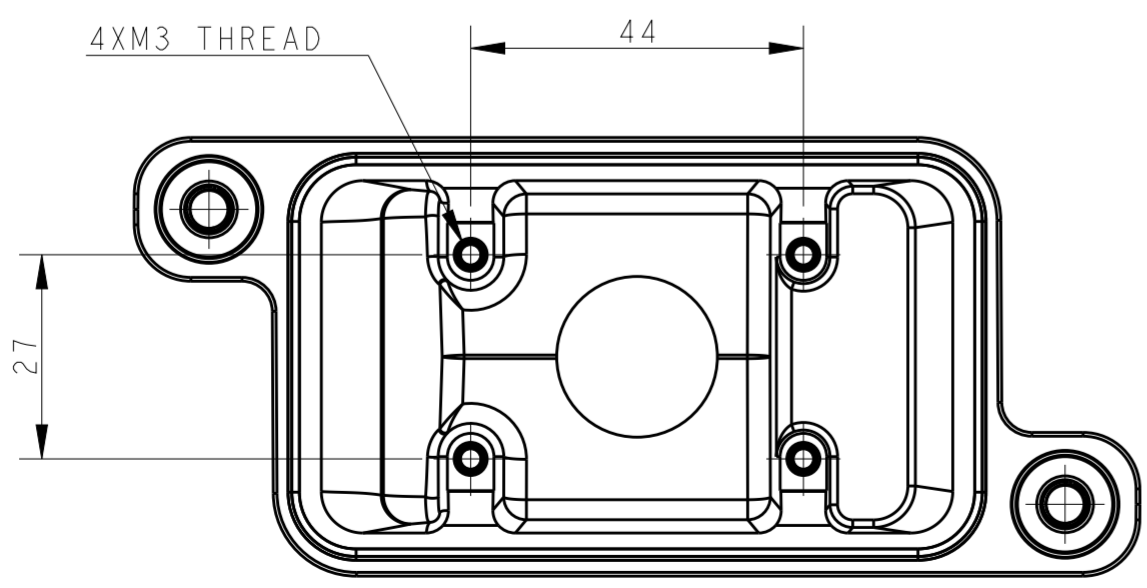
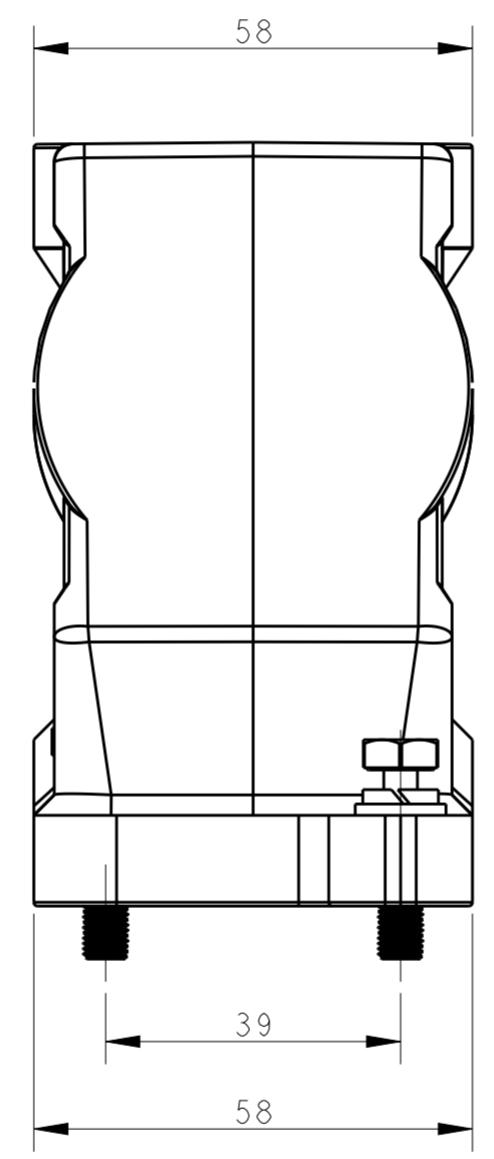
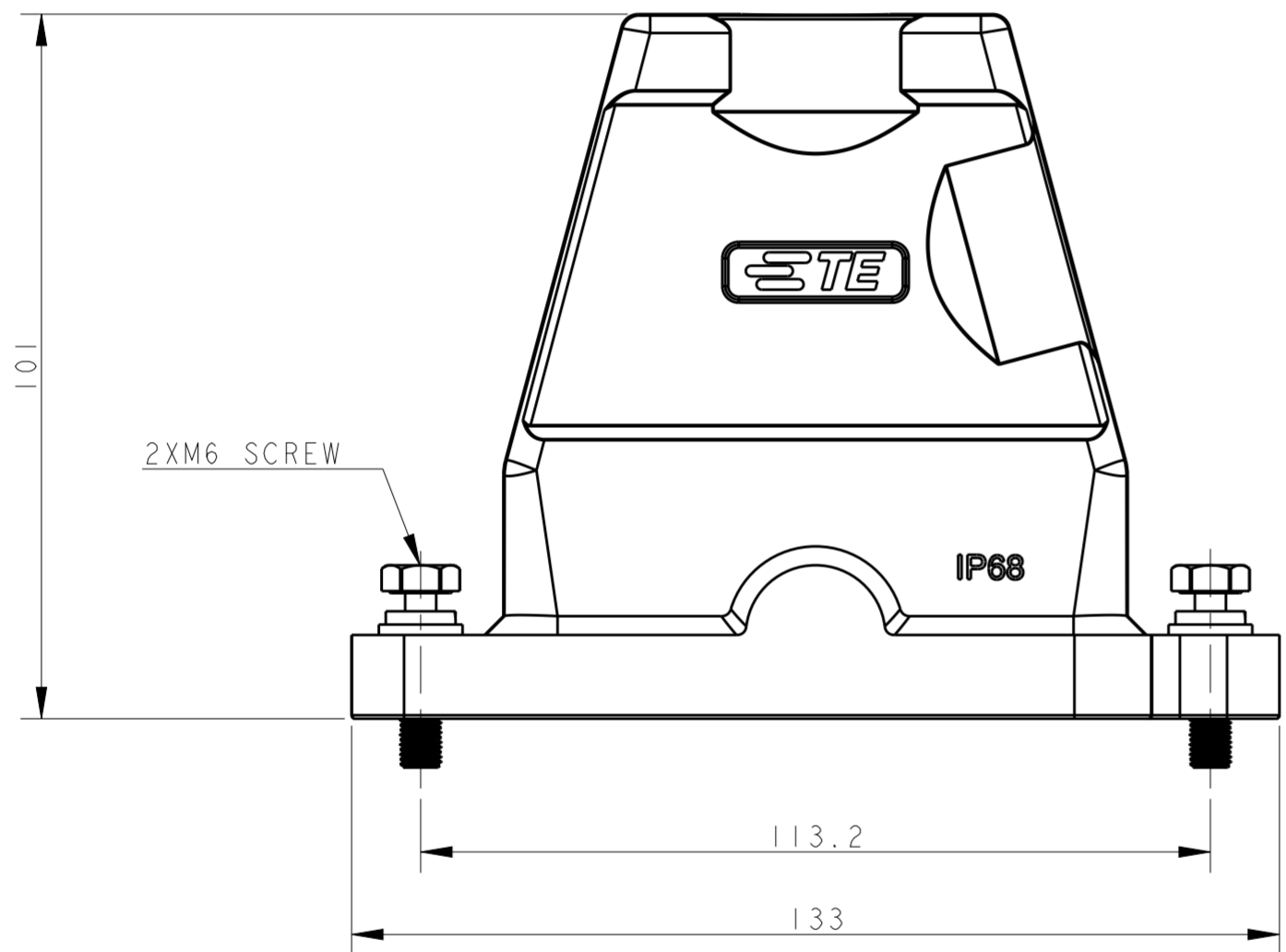
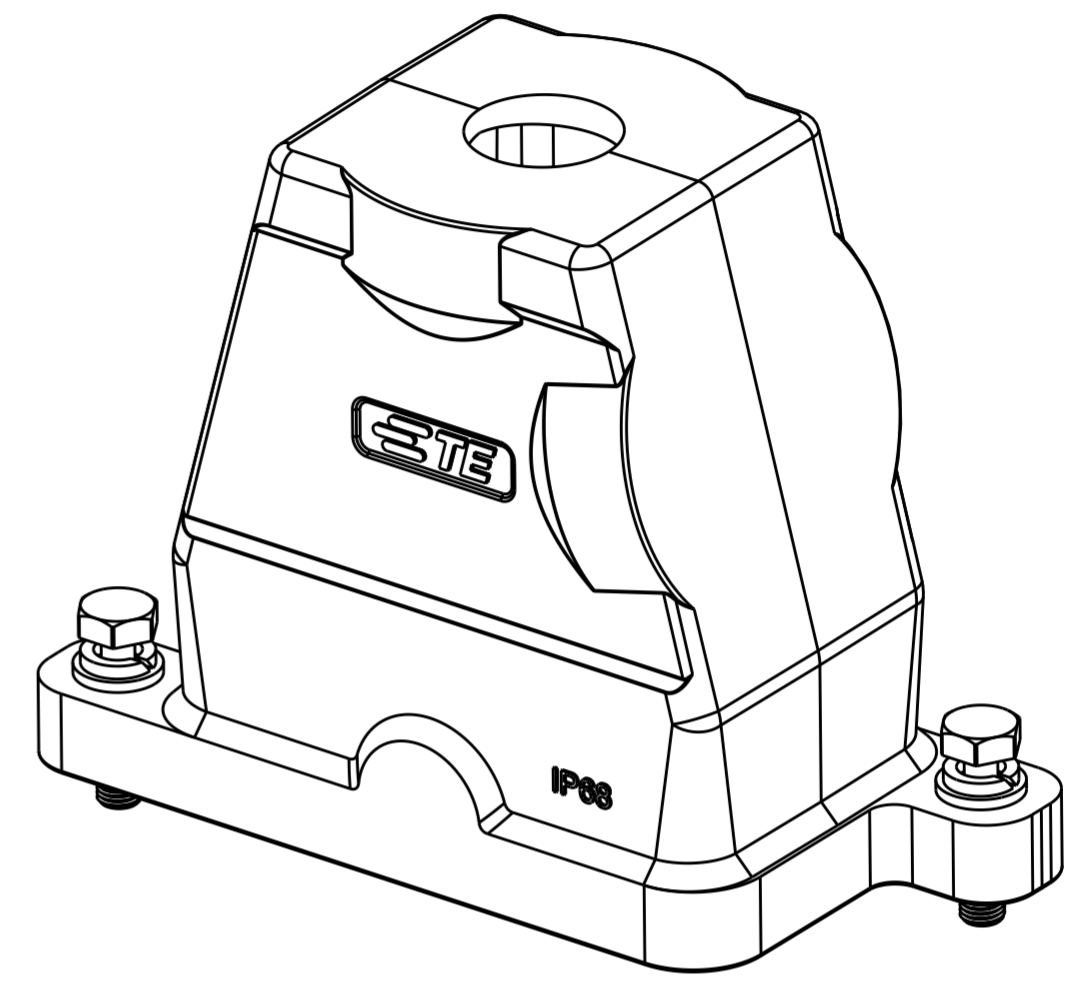
REVISIONS				
P	LTR	DESCRIPTION	DATE	APVD
A		INITIAL RELEASE	21MAY2015	GY CW



PG/M THREAD

NOTES:
 1. TECHNICAL CHARACTERISTICS:
 HOOD MATERIAL: DIE CAST ALUMINIUM ALLOY
 SURFACE TREATMENT: SEE TABLE
 OPERATION TEMPERATURE: -40°C~+125°C
 DEGREE OF PROTECTION: IP68 (MATED)

注释:
 1. 技术参数:
 壳体材料: 铝合金
 表面处理: 见表格
 工作温度: -40°C~+125°C
 防护等级: IP68 (配合)



T1920062132-000	POWDER COATED GRAY	H6BPR-TGH-M32	M32
T1920062129-000	POWDER COATED GRAY	H6BPR-TGH-PG29	PG29
T1920062125-000	POWDER COATED GRAY	H6BPR-TGH-M25	M25
T1920062121-000	POWDER COATED GRAY	H6BPR-TGH-PG21	PG21
T1920062120-000	POWDER COATED GRAY	H6BPR-TGH-M20	M20
T1920062116-000	POWDER COATED GRAY	H6BPR-TGH-PG16	PG16
T1920061132-000	POWDER COATED SILVER WHITE	H6BPR-TGH-M32	M32
T1920061129-000	POWDER COATED SILVER WHITE	H6BPR-TGH-PG29	PG29
T1920061125-000	POWDER COATED SILVER WHITE	H6BPR-TGH-M25	M25
T1920061121-000	POWDER COATED SILVER WHITE	H6BPR-TGH-PG21	PG21
T1920061120-000	POWDER COATED SILVER WHITE	H6BPR-TGH-M20	M20
T1920061116-000	POWDER COATED SILVER WHITE	H6BPR-TGH-PG16	PG16
T1920060132-000	POWDER COATED BLACK	H6BPR-TGH-M32	M32
T1920060129-000	POWDER COATED BLACK	H6BPR-TGH-PG29	PG29
T1920060125-000	POWDER COATED BLACK	H6BPR-TGH-M25	M25
T1920060121-000	POWDER COATED BLACK	H6BPR-TGH-PG21	PG21
T1920060120-000	POWDER COATED BLACK	H6BPR-TGH-M20	M20
T1920060116-000	POWDER COATED BLACK	H6BPR-TGH-PG16	PG16
PART NUMBER	SURFACE TREATMENT	DESCRIPTION	PG/M THREAD

THIS DRAWING IS A CONTROLLED DOCUMENT.

DIMENSIONS:	TOLERANCES UNLESS OTHERWISE SPECIFIED:	DWN Gino Yao 21MAY2015	TE Connectivity NAME H6BPR-TGH-PG/M PRODUCT SPEC 108-137014 APPLICATION SPEC 114-137014 WEIGHT - Customer Drawing
-	0 PLC ± 1 PLC ± 2 PLC ± 3 PLC ± 4 PLC ±	CHK Chris Wang 21MAY2015	
-	ANGLES ±	APVD Xiang Xu 21MAY2015	
MATERIAL -	FINISH -	SIZE A2	

CAGE CODE -	DRAWING NO. C-T192006XXXXX00	RESTRICTED TO -
SCALE 1:1	SHEET OF	REV A