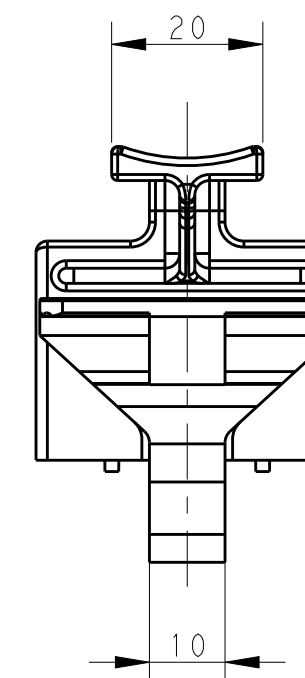
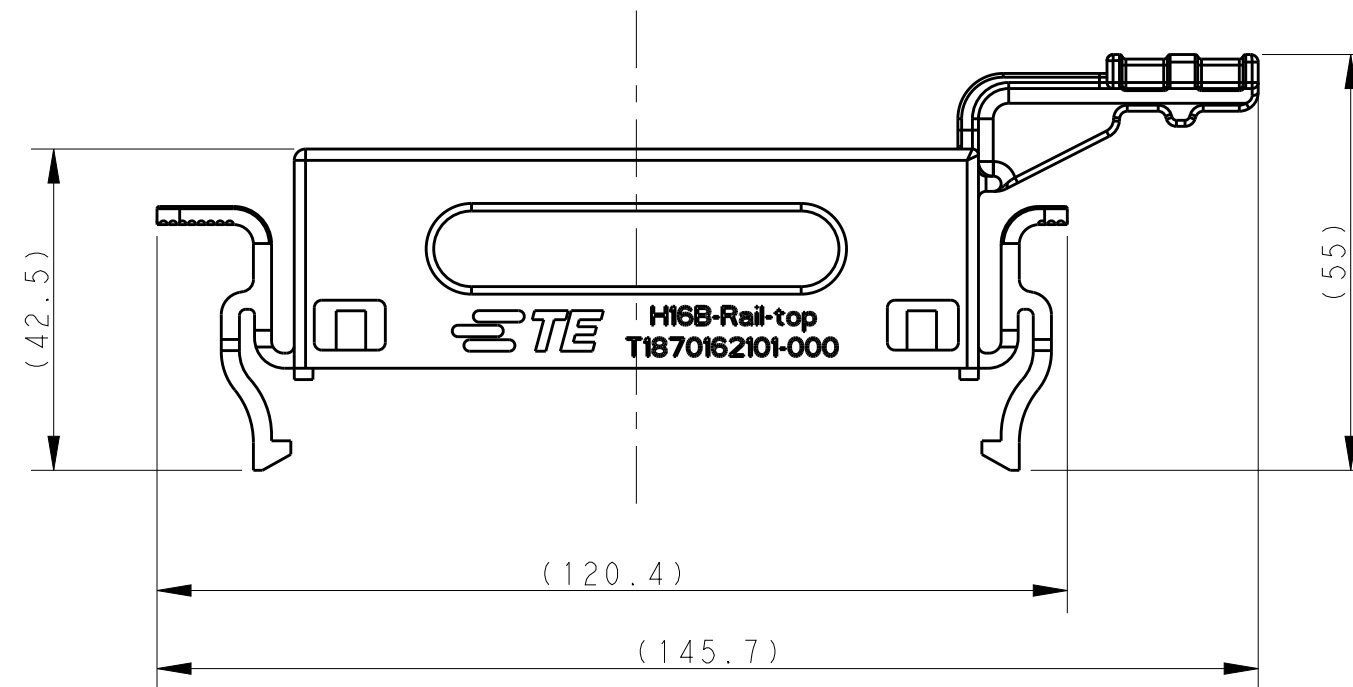
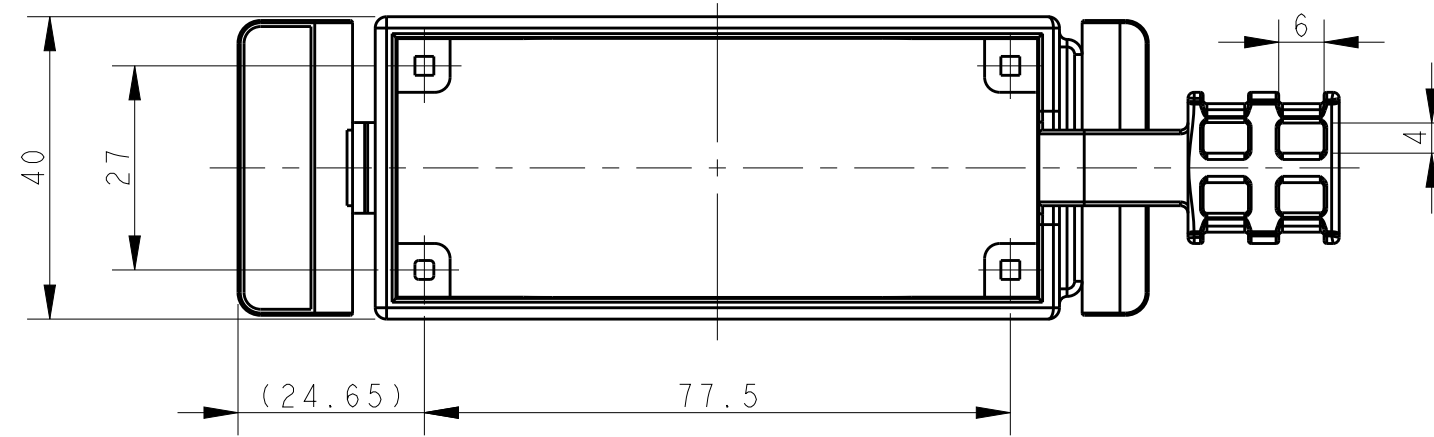
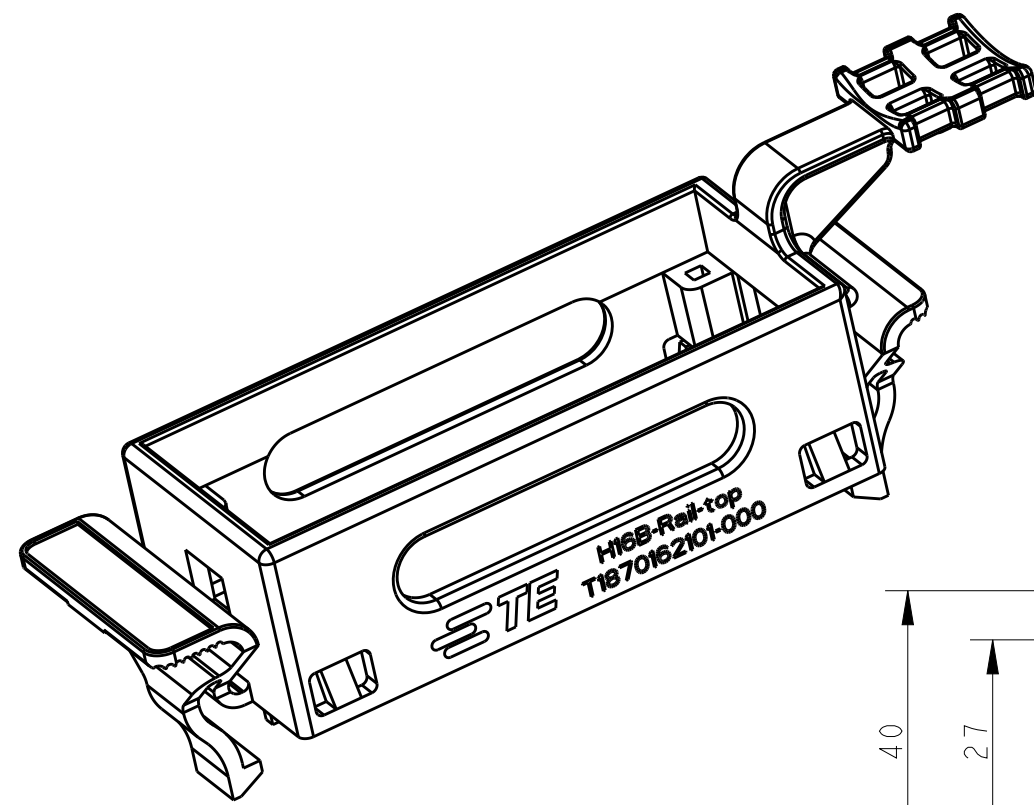


THIS DRAWING IS UNPUBLISHED. RELEASED FOR PUBLICATION 20  
 © COPYRIGHT 20 BY - ALL RIGHTS RESERVED.

REVISIONS				
P	LTR	DESCRIPTION	DATE	APVD
	A	INITIAL	01FEB2016	DW CW



NOTES:

- 1. TECHNICAL CHARACTERISTICS:  
 INSULATION MATERIAL: PC  
 FLAMMABILITY: UL94V-0  
 OPERATION TEMPERATURE: -40°C~+125°C

注释:

- 1. 技术参数:  
 绝缘材料: PC  
 阻燃等级: UL94V-0  
 工作温度: -40°C~+125°C

T1870162101-000	H16B-RAIL-TOP	H16B INSERT MOUNTING TOP FRAME H16B 元件导轨安装支架上部
PART NUMBER 料号	PART DESCRIPTION 描述	

THIS DRAWING IS A CONTROLLED DOCUMENT.		DWN DAVID WANG 01FEB2016	TE Connectivity	
		CHK CHRIS WANG 01FEB2016		
		APVD XIANG XU 01FEB2016	NAME H16B-RAIL-TOP	
DIMENSIONS: mm		TOLERANCES UNLESS OTHERWISE SPECIFIED:	PRODUCT SPEC	
		0 PLC ±	-	
		1 PLC ±	-	
		2 PLC ±	-	
		3 PLC ±	-	
		4 PLC ±	-	
		ANGLES ±	-	
		FINISH	-	
MATERIAL			WEIGHT	
-			-	
-			-	
			CUSTOMER DRAWING	
			SCALE 1:1	SHEET 1 OF 1
			REV A	