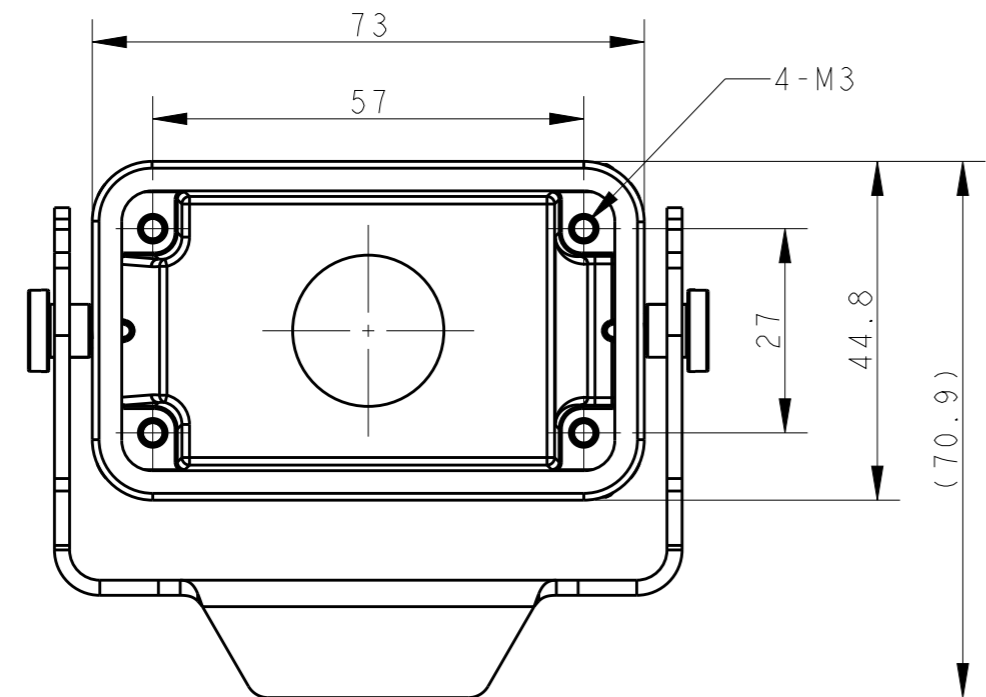
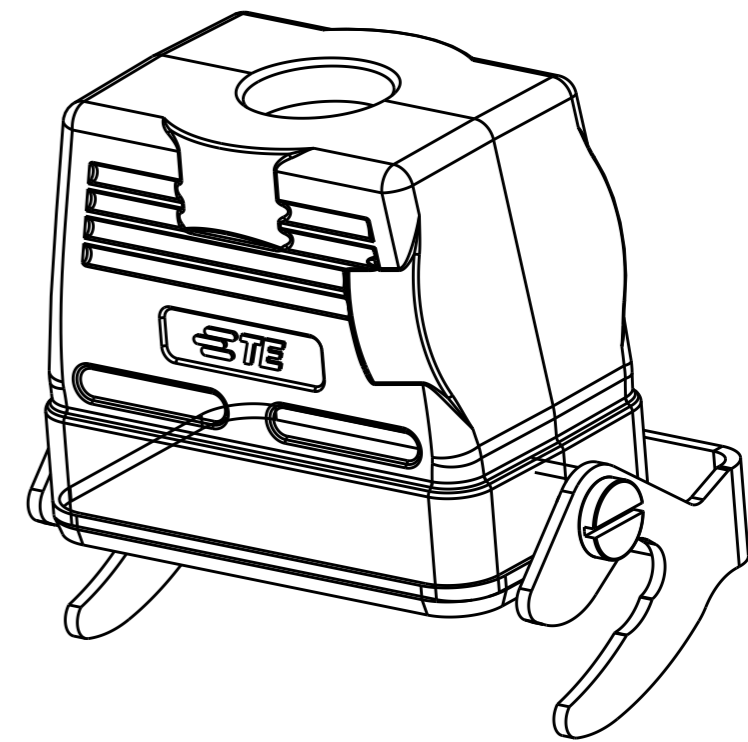
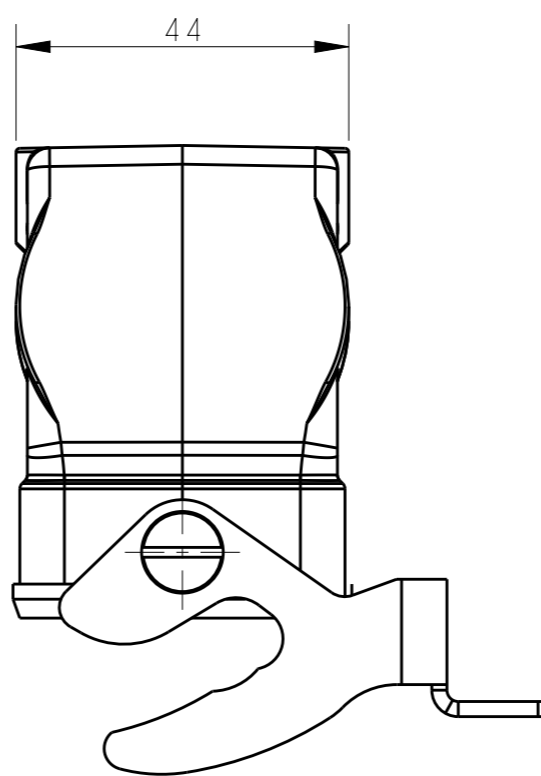
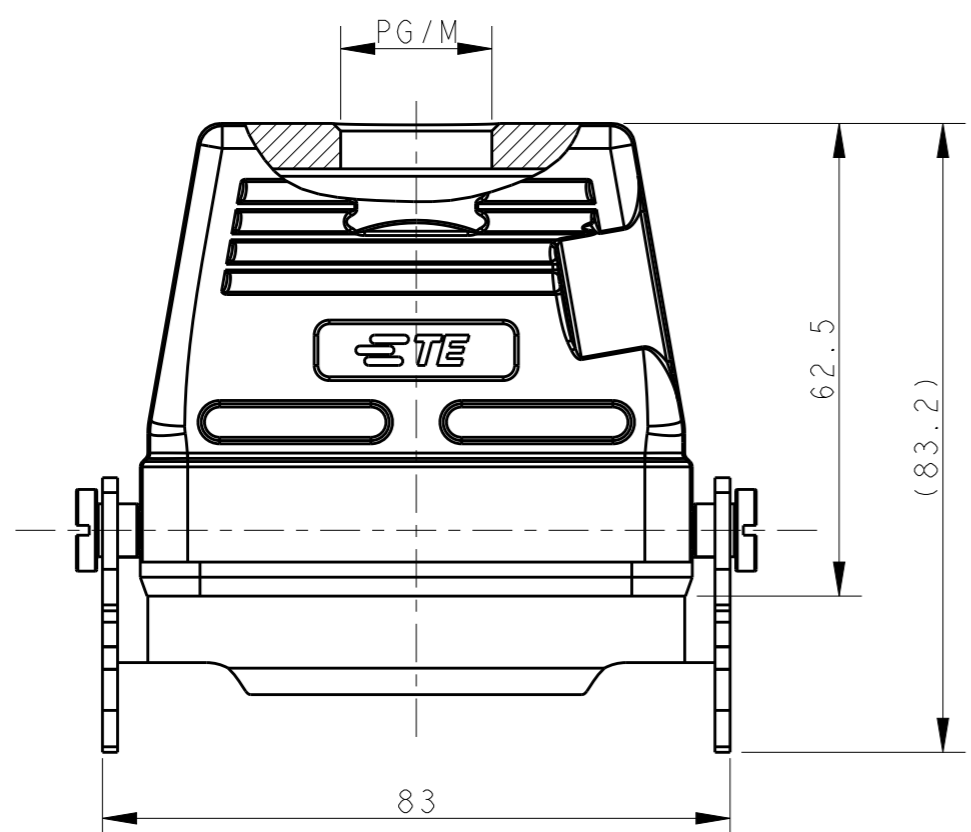


THIS DRAWING IS UNPUBLISHED. RELEASED FOR PUBLICATION 20  
 © COPYRIGHT 20 BY - ALL RIGHTS RESERVED.

REVISIONS

P	LTR	DESCRIPTION	DATE	DWN	APVD
	A	INITIAL RELEASE	08JUL2015	DL	CW




NOTES:

- 1. TECHNICAL CHARACTERISTICS:  
 BODY MATERIAL: DIE CAST ALUMINIUM ALLOY  
 SURFACE TREATMENT: POWDER-COATED, GRAY  
 OPERATION TEMPERATURE: -40-+125°C  
 DEGREE OF PROTECTION: IP65 (MATED)

注释:

- 1. 技术参数:  
 主体材料: 铝合金  
 表面处理: 粉末喷涂, 灰色  
 工作温度: -40-+125°C  
 防护等级: IP65(配合)

T1730103116-000	H10B-TBF-LB-PG16	PG16
T1730103120-000	H10B-TBF-LB-M20	M20
T1730103125-000	H10B-TBF-LB-M25	M25
ASSEMBLY PART NUMBER	ASSEMBLY PART DESCRIPTION	PG/M

THIS DRAWING IS A CONTROLLED DOCUMENT.		DWN DAVID LI 08JUL2015	 TE Connectivity NAME H10B-TBF-LB-PG/M			
DIMENSIONS: mm		CHK CHRIS WANG 08JUL2015				
TOLERANCES UNLESS OTHERWISE SPECIFIED:		APVD XU XIANG 08JUL2015				
0 PLC ±- 1 PLC ±- 2 PLC ±- 3 PLC ±- 4 PLC ±- ANGLES ±-		PRODUCT SPEC 108-137013				
MATERIAL TBD	FINISH -	APPLICATION SPEC 114-137013	SIZE A3	CAGE CODE -	DRAWING NO C-T17301031XX000	RESTRICTED TO -
CUSTOMER DRAWING		WEIGHT -	SCALE 1:1	SHEET 1	OF 1	REV A