



Insert mounting Series

Table of contents

1. INTRODUCTION	2
2. SUPPORTING DOCUMENTS	2
2.1. Customer drawings.....	2
2.2. Product specification	2
2.3. Application Specification	2
2.4. Standards	2
3. DESCRIPTION	3
3.1. Assembly product.....	3
3.2. Insert mounting top frame.....	4
3.3. Insert mounting base frame, H6B-H24B.....	5
4. ASSEMBLY.....	6
5. STORAGE	8

1. INTRODUCTION

This specification contains the regulations for assembly of various Insert mounting series product.

The following components are available in this system:

H6B-RAIL-TOP/ H10B-RAIL-TOP/ H16B-RAIL-TOP/ H24B-RAIL-TOP
HB-RAIL-BASE

2. SUPPORTING DOCUMENTS

2.1. Customer drawings

For dimensions and materials of the individual parts, please refer to the relative customer drawings of H6B-RAIL-TOP/ H10B-RAIL-TOP/ H16B-RAIL-TOP/ H24B-RAIL-TOP / HB-RAIL-BASE.

2.2. Product specification

The product specifications of the used articles are to be taken into account. The product specification describes the technical data as regulations, temperature range and degree of protection. For further reference, please refer to product spec. 108-137304.

2.3. Application Specification

Connectors shall be assembled as below mentioned application specifications to ensure correct connector assembly.

2.4. Standards

- EN 61984: Connectors - Safety requirements and tests
- IEC 60664-1: Insulation coordination for equipment within low-voltage systems (Part 1)
- EN 60529: Degrees of Protection Provided by Enclosures (IP Code)
- EN 60068: Environmental testing

3. DESCRIPTION

3.1. Assembly product

The following picture (Figure 1) shows an example of complete assembly product.

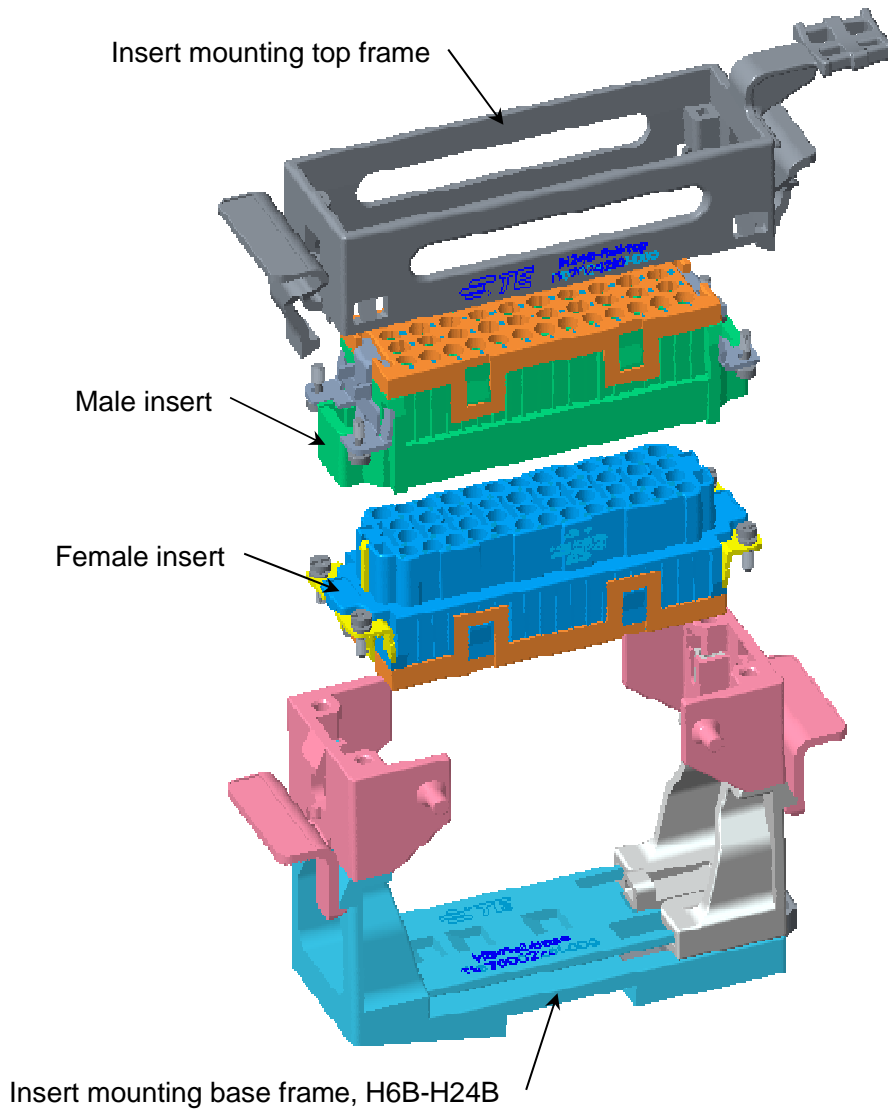
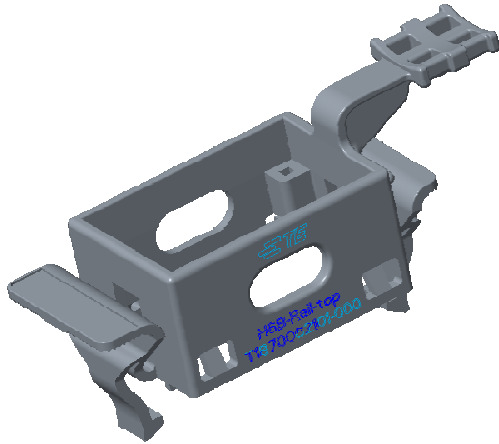


Figure: 1

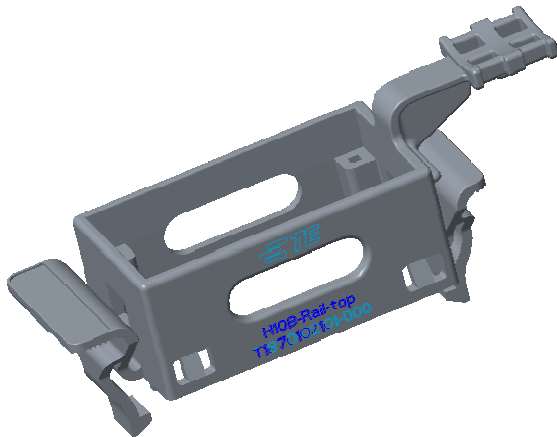
The complete product consists of the following components (see Figure 1):

- Insert mounting top frame
- Pin contact (separately ordered or included in male insert)
- Male insert
- Female insert
- Socket contact (separately ordered or included in male insert)
- Insert mounting base frame, H6B-H24B

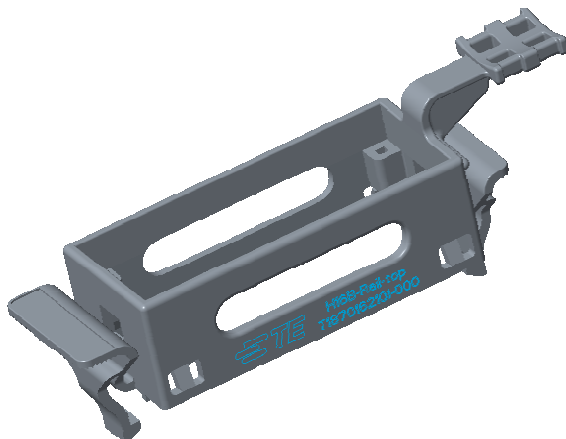
3.2. Insert mounting top frame



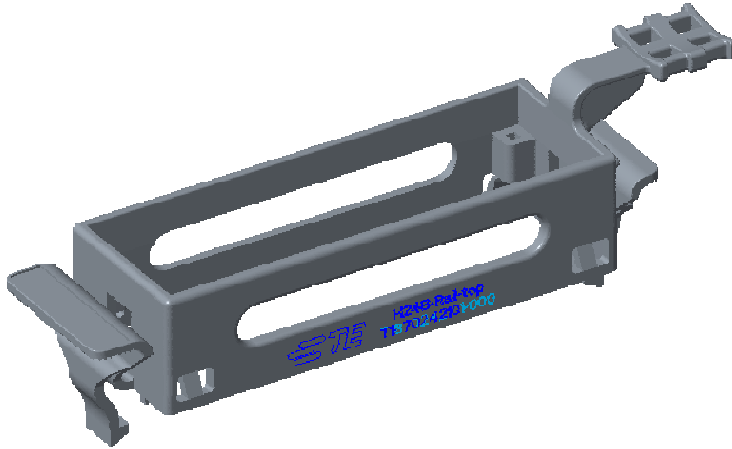
H6B-RAIL-TOP



H10B-RAIL-TOP

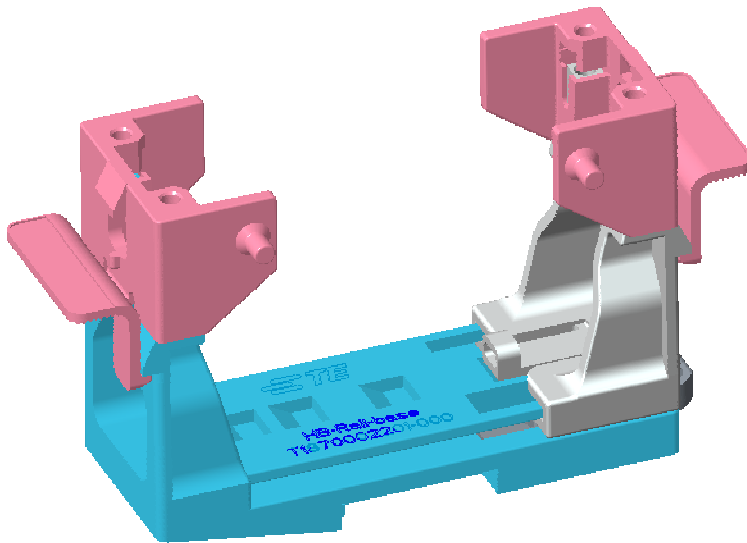


H16B-RAIL-TOP



H24B-RAIL-TOP

3.3. Insert mounting base frame, H6B-H24B



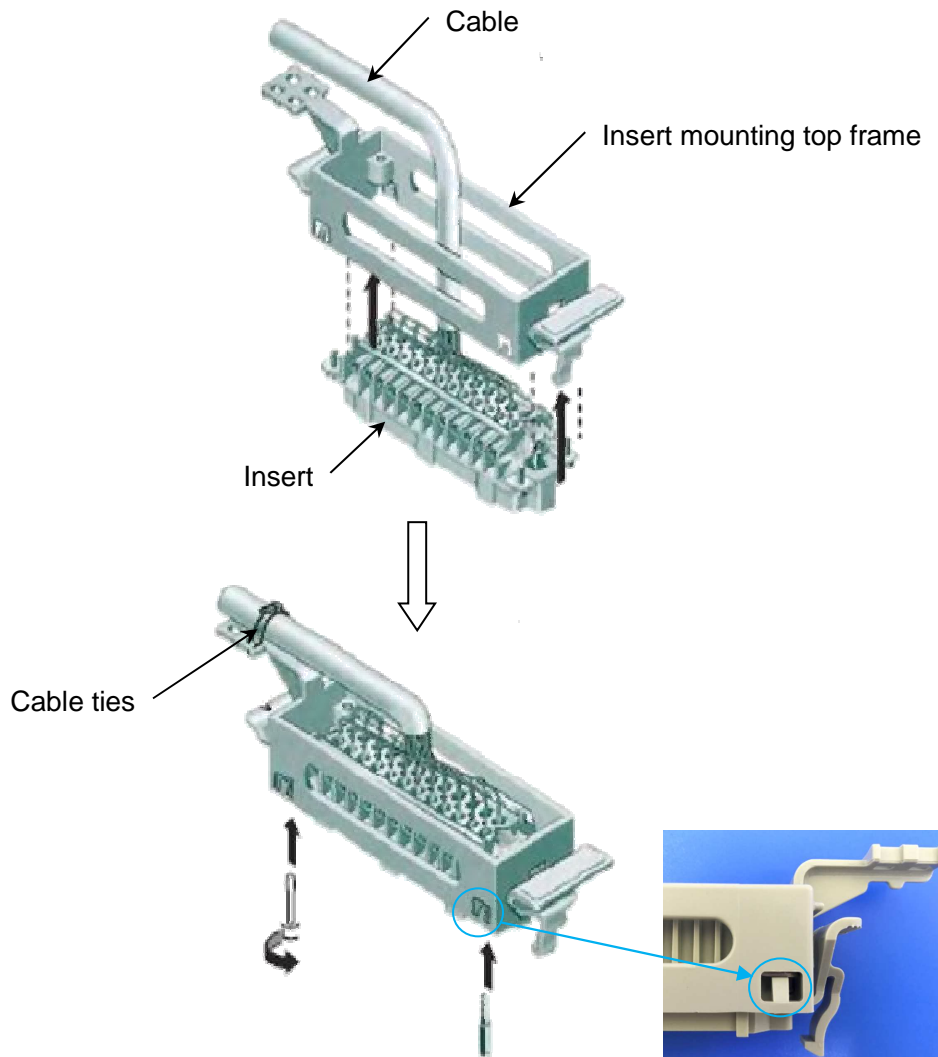
Note:

The insert mountings are compatible with the standard inserts of the following series
HD: 40 and 64 pins / HDD / HE / HEE / HEEE / HES / HVE / HSB / HK&HWK

4. ASSEMBLY

➤ Assembly male insert into insert mounting top frame

Do the cable assembly with the inserts and contacts and push the inserts into insert mounting top frame until the retention clip locks in-position.

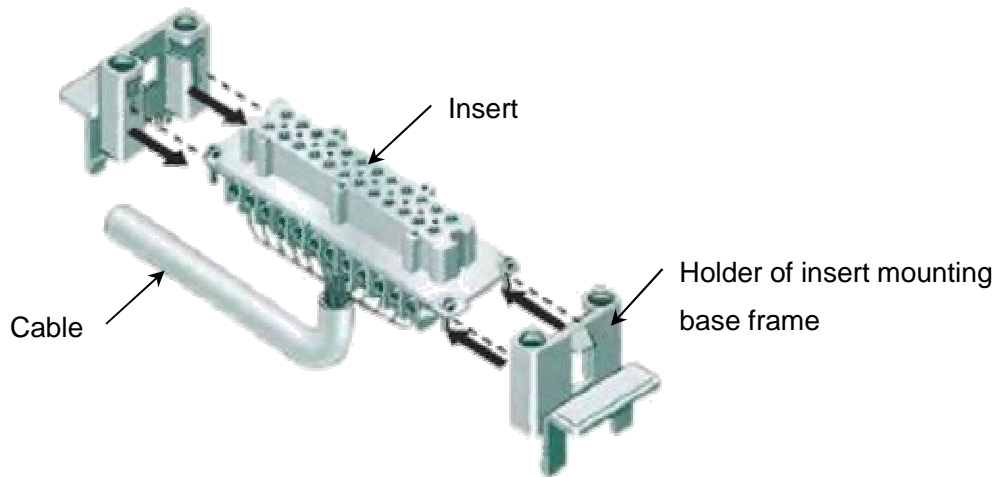


Note:

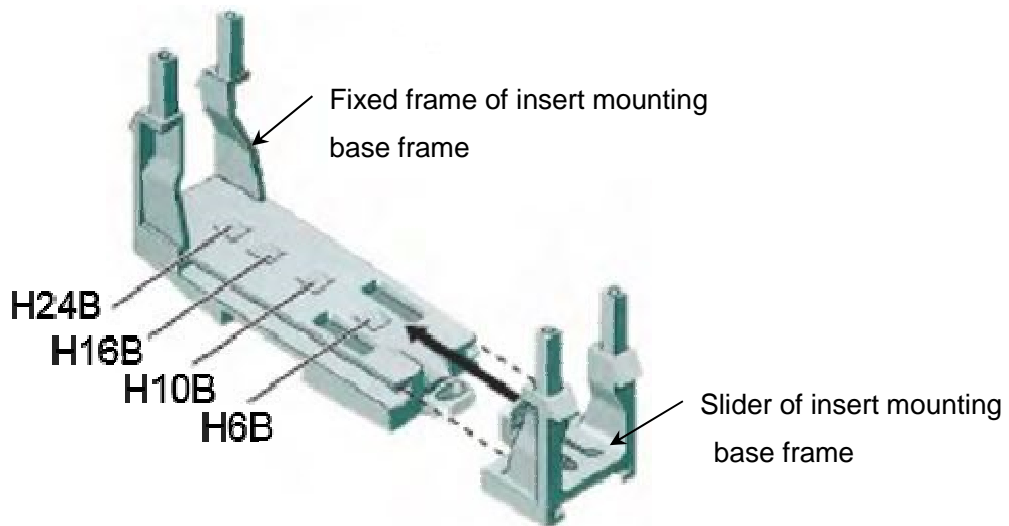
1. The wires or cables can be secured to the strain relief element with standard cable ties of 5 mm width maximum.
2. Either code pins or guide pins and bushes can replace the standard fixing screws if have the coding requirement.
3. For more detailed information for related inserts and contacts, please refer to related inserts and contacts application specifications.

➤ **Assembly female insert into insert mounting base frame**

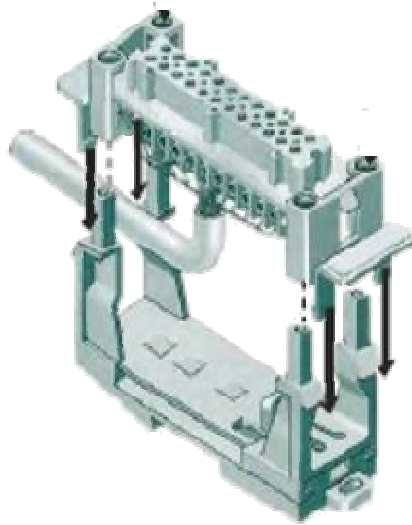
1. Do the cable assembly with the females inserts and contacts and assemble the holder of insert mounting base frame.



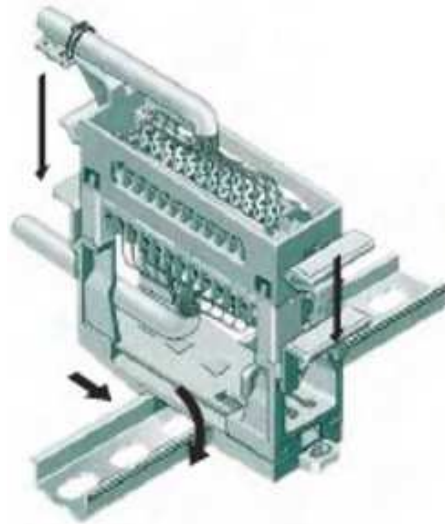
2. Push the slider of insert mounting base frame into fixed frame of insert mounting base frame per the actual requirement insert.



3. Assemble the holder sub-assembly into fixed frame sub-assembly.



4. Fixed the insert mounting assembly into the standard rail.



5. STORAGE

The connectors should be stored in the air ventilation, no corrosive gas, no rain and no snow in the warehouse. Relative humidity: less than 85% RH.

NOTE



Any conflict is found between this file and customer drawings, customer drawings are preferential.
And please contact TE Connectivity related engineer if necessary.

----- End-----