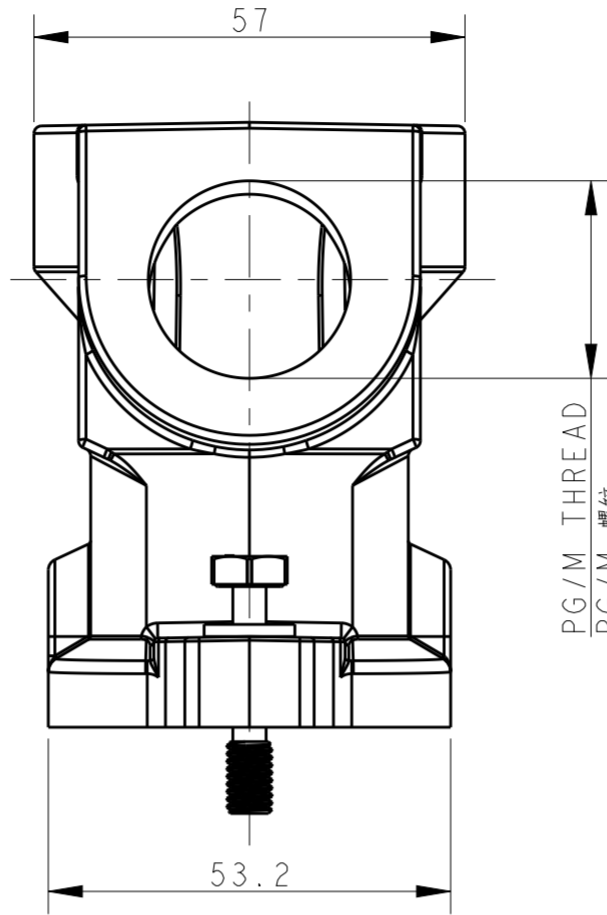
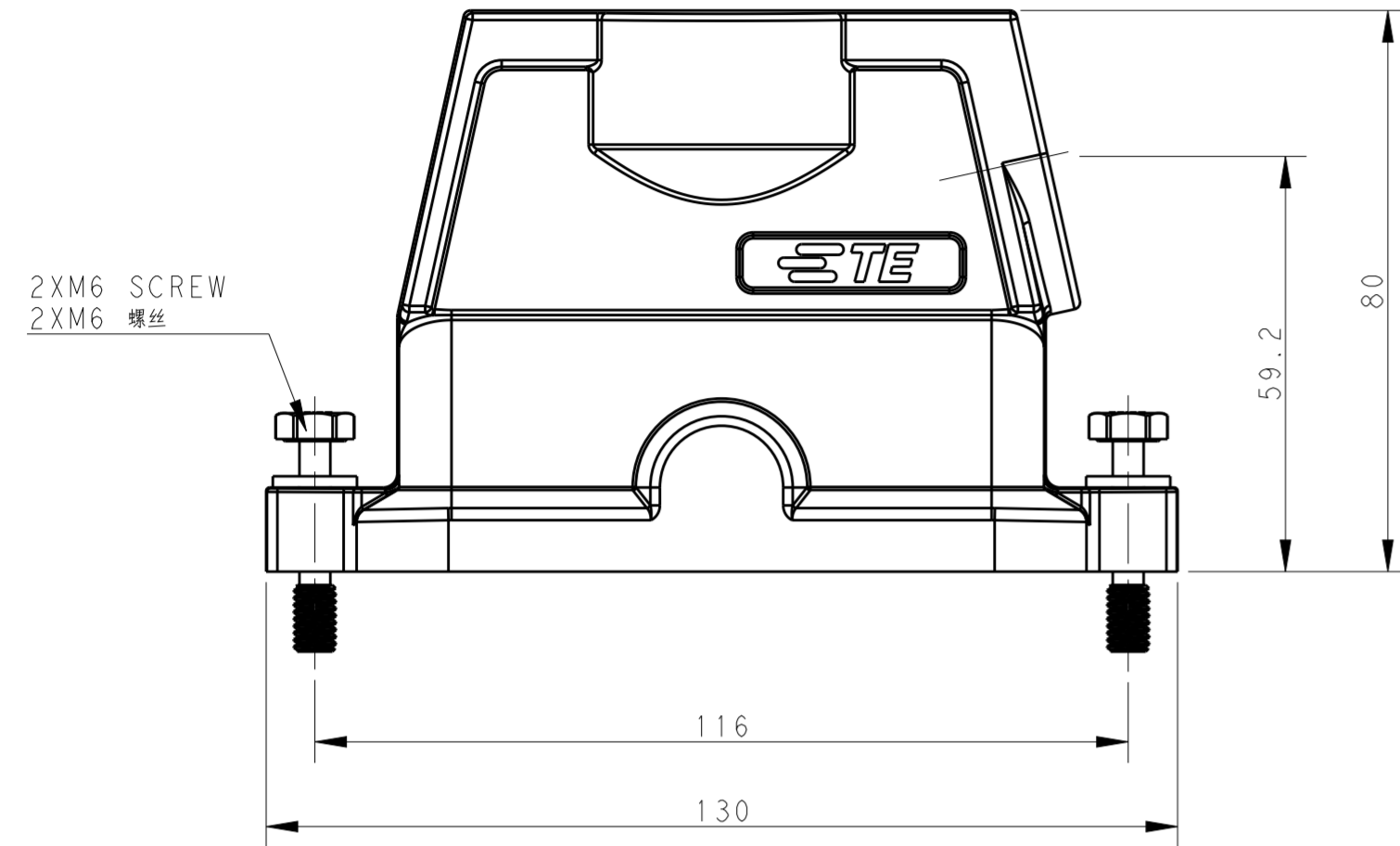


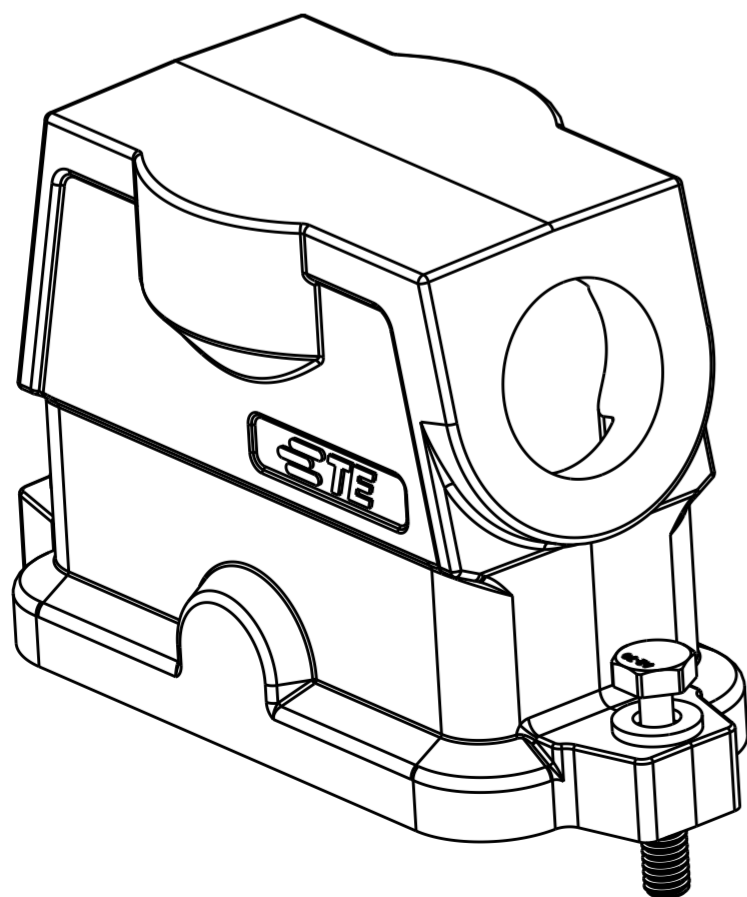
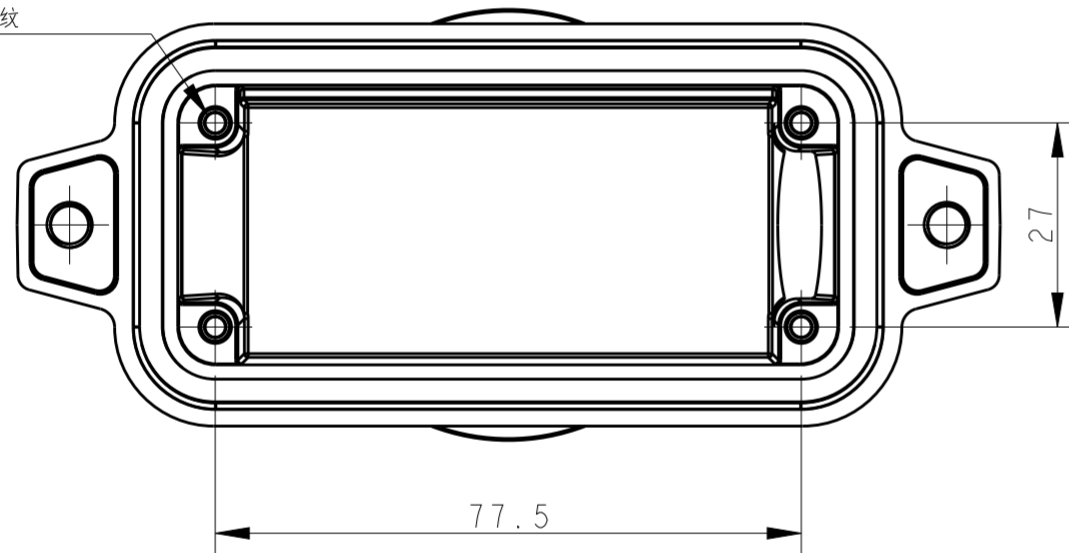
THIS DRAWING IS UNPUBLISHED. RELEASED FOR PUBLICATION 20
 © COPYRIGHT 20 BY - ALL RIGHTS RESERVED.

Hood with TE Logo
 上壳带TE LOGO

TYPE 1 / 类型 1



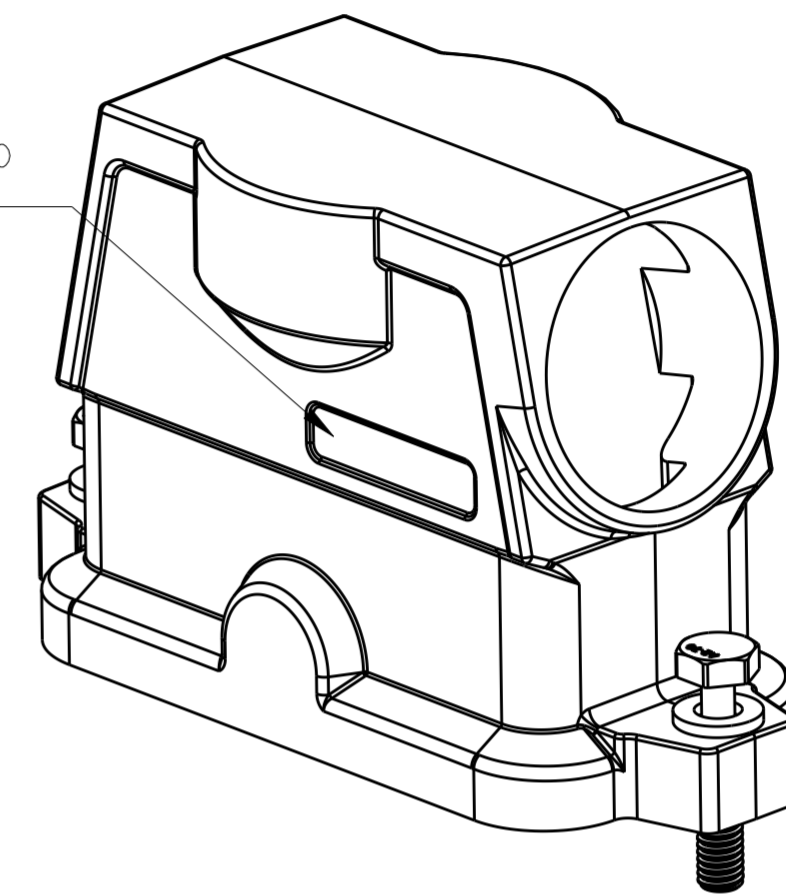
4XM3 THREAD
 4XM3 螺纹



Hood without Logo
 上壳无 Logo

TYPE 2 / 类型 2

* WITHOUT TE LOGO
 * 无 LOGO



All dimension is same as TYPE 1, except those defined in this TYPE
 除了已定义的尺寸外, 其余尺寸参考类型 1

REVISIONS					
P	LTR	DESCRIPTION	DATE	DWN	APVD
	A	INITIAL RELEASE	13JUN2015	GY	CW
	A1	ECR-18-012802	18AUG2018	WOR	CW
	A2	ECR-18-009564	13SEP2018	CD	CW

PART NUMBER 料号	SURFACE TREATMEN 表面处理	DESCRIPTION 描述	PG/M THREAD PG/M 螺纹	TYPE 类型
T1912162125-001	POWDER COATED, DEEP GREY 表面喷涂, 深灰色	H16BPR-TSHC-M25 H16BPR HOOD, CENTER LOCKING, SIDE ENTRY M25, POWDER COATED, DEEP GREY, NO LOGO H16BPR上壳, 中部锁定, 侧出M25, 深灰色粉末喷涂, 无LOGO	M25	TYPE 2 类型2
T1912162132-001	POWDER COATED, DEEP GREY 表面喷涂, 深灰色	H16BPR-TSHC-M32 H16BPR HOOD, CENTER LOCKING, SIDE ENTRY M32, POWDER COATED, DEEP GREY, NO LOGO H16BPR上壳, 中部锁定, 侧出M32, 深灰色粉末喷涂, 无LOGO	M32	
T1912162140-001	POWDER COATED, DEEP GREY 表面喷涂, 深灰色	H16BPR-TSHC-M40 H16BPR HOOD, CENTER LOCKING, SIDE ENTRY M40, POWDER COATED, DEEP GREY, NO LOGO H16BPR上壳, 中部锁定, 侧出M40, 深灰色粉末喷涂, 无LOGO	M40	
T1912160140-100	POWDER COATED, BLACK 表面喷涂, 黑色	H16BPR-TSHC-M40 H16BPR HOOD, CENTER LOCKING, SIDE ENTRY M40, POWDER COATED, BLACK, NO LOGO H16BPR上壳, 中部锁定, 侧出M40, 黑色粉末喷涂, 无LOGO	M40	TYPE 1 类型1
T1912161140-000	POWDER COATED, SILVER WHITE 表面喷涂, 银白色	H16BPR-TSHC-M40 H16BPR HOOD, CENTER LOCKING, SIDE ENTRY M40, POWDER COATED, SILVER WHITE H16BPR上壳, 中部锁定, 侧出M40, 银白色粉末喷涂	M40	
T1912161132-000	POWDER COATED, SILVER WHITE 表面喷涂, 银白色	H16BPR-TSHC-M32 H16BPR HOOD, CENTER LOCKING, SIDE ENTRY M32, POWDER COATED, SILVER WHITE H16BPR上壳, 中部锁定, 侧出M32, 银白色粉末喷涂	M32	
T1912161129-000	POWDER COATED, SILVER WHITE 表面喷涂, 银白色	H16BPR-TSHC-PG29 H16BPR HOOD, CENTER LOCKING, SIDE ENTRY PG29, POWDER COATED, SILVER WHITE H16BPR上壳, 中部锁定, 侧出PG29, 银白色粉末喷涂	PG29	
T1912161125-000	POWDER COATED, SILVER WHITE 表面喷涂, 银白色	H16BPR-TSHC-M25 H16BPR HOOD, CENTER LOCKING, SIDE ENTRY M25, POWDER COATED, SILVER WHITE H16BPR上壳, 中部锁定, 侧出M25, 银白色粉末喷涂	M25	
T1912161121-000	POWDER COATED, SILVER WHITE 表面喷涂, 银白色	H16BPR-TSHC-PG21 H16BPR HOOD, CENTER LOCKING, SIDE ENTRY PG21, POWDER COATED, SILVER WHITE H16BPR上壳, 中部锁定, 侧出PG21, 银白色粉末喷涂	PG21	
T1912160140-000	POWDER COATED, BLACK 表面喷涂, 黑色	H16BPR-TSHC-M40 H16BPR HOOD, CENTER LOCKING, SIDE ENTRY M40, POWDER COATED, BLACK H16BPR上壳, 中部锁定, 侧出M40, 黑色粉末喷涂	M40	
T1912160132-000	POWDER COATED, BLACK 表面喷涂, 黑色	H16BPR-TSHC-M32 H16BPR HOOD, CENTER LOCKING, SIDE ENTRY M32, POWDER COATED, BLACK H16BPR上壳, 中部锁定, 侧出M32, 黑色粉末喷涂	M32	
T1912160129-000	POWDER COATED, BLACK 表面喷涂, 黑色	H16BPR-TSHC-PG29 H16BPR HOOD, CENTER LOCKING, SIDE ENTRY PG29, POWDER COATED, BLACK H16BPR上壳, 中部锁定, 侧出PG29, 黑色粉末喷涂	PG29	
T1912160125-000	POWDER COATED, BLACK 表面喷涂, 黑色	H16BPR-TSHC-M25 H16BPR HOOD, CENTER LOCKING, SIDE ENTRY M25, POWDER COATED, BLACK H16BPR上壳, 中部锁定, 侧出M25, 黑色粉末喷涂	M25	
T1912160121-000	POWDER COATED, BLACK 表面喷涂, 黑色	H16BPR-TSHC-PG21 H16BPR HOOD, CENTER LOCKING, SIDE ENTRY PG21, POWDER COATED, BLACK H16BPR上壳, 中部锁定, 侧出PG21, 黑色粉末喷涂	PG21	

NOTES:
 1. TECHNICAL CHARACTERISTICS:
 HOOD MATERIAL: DIE CAST ALUMINIUM ALLOY.
 SURFACE TREATMENT: SEE TABLE.
 DEGREE OF PROTECTION: IP68 (MATED).

注释
 1. 技术参数:
 壳体材料: 铝合金.
 表面处理: 见表格.
 防护等级: IP68 (配合).

THIS DRAWING IS A CONTROLLED DOCUMENT.

DIMENSIONS:	TOLERANCES UNLESS OTHERWISE SPECIFIED:
mm	0 PLC ± 1 PLC ± 2 PLC ± 3 PLC ± 4 PLC ± ANGLES ± FINISH
MATERIAL	-

DWN	13JUN2015
CHK	Gino Yao
CHK	Chris Wang
APVD	Xiang xu
PRODUCT SPEC	108-137014
APPLICATION SPEC	114-137014
WEIGHT	-
Customer Drawing	

		TE Connectivity	
		NAME H16BPR-TSHC-PG/M	
SIZE	CAGE CODE	DRAWING NO	RESTRICTED TO
A2	-	G-T191216XXXXX00	-
SCALE 1:1		SHEET 1 OF 1	REV A2