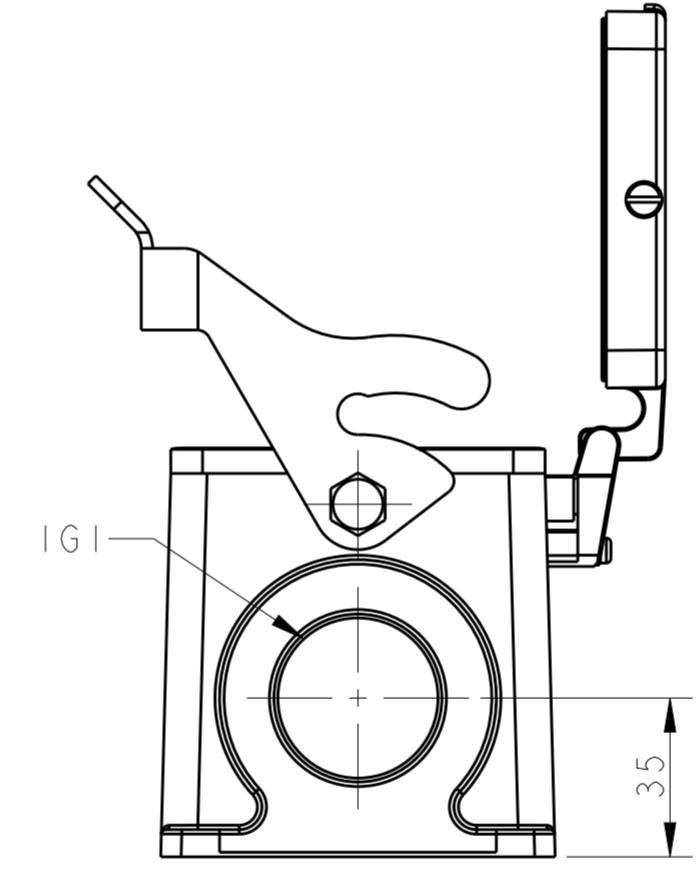
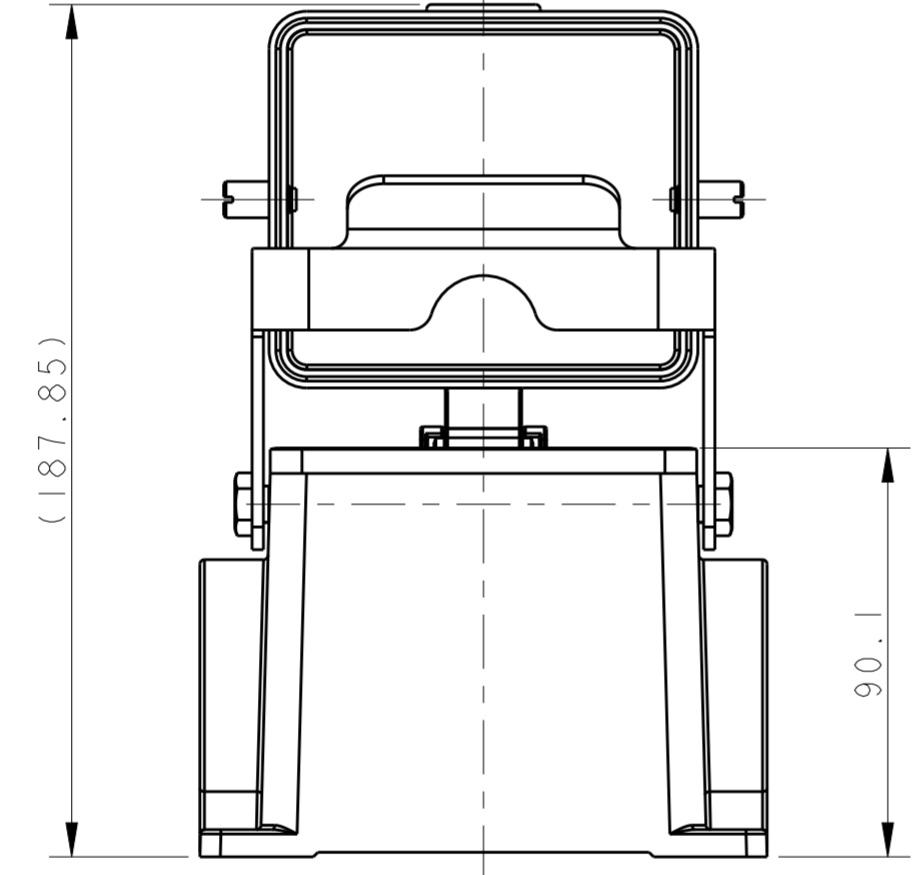
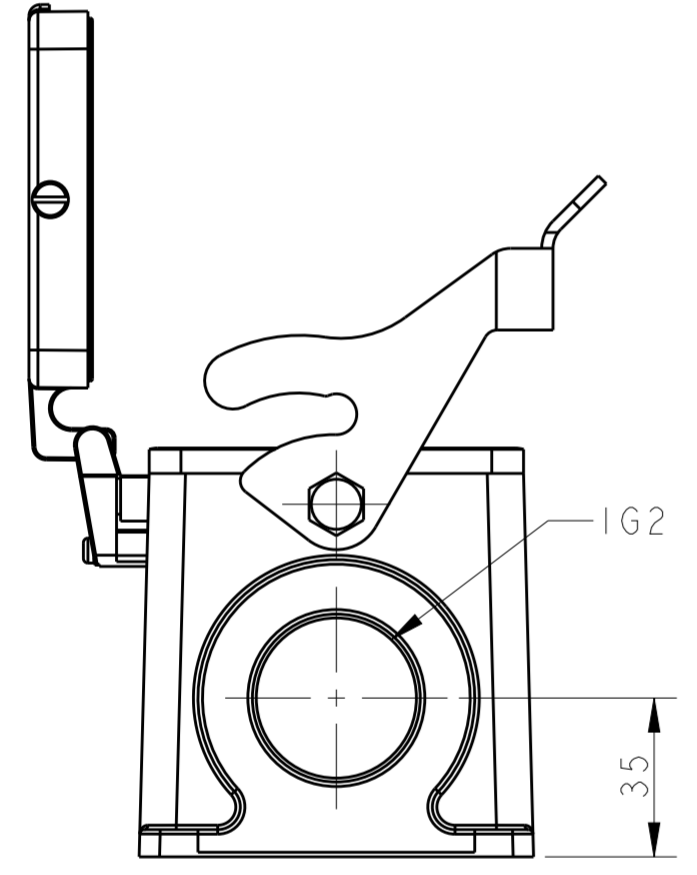
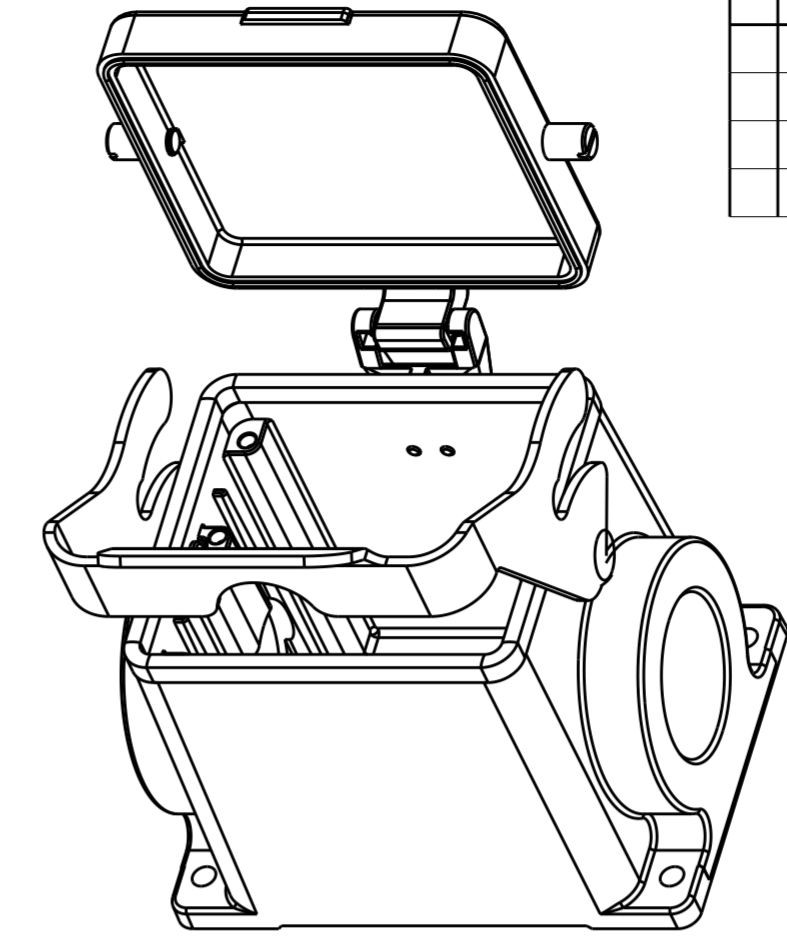
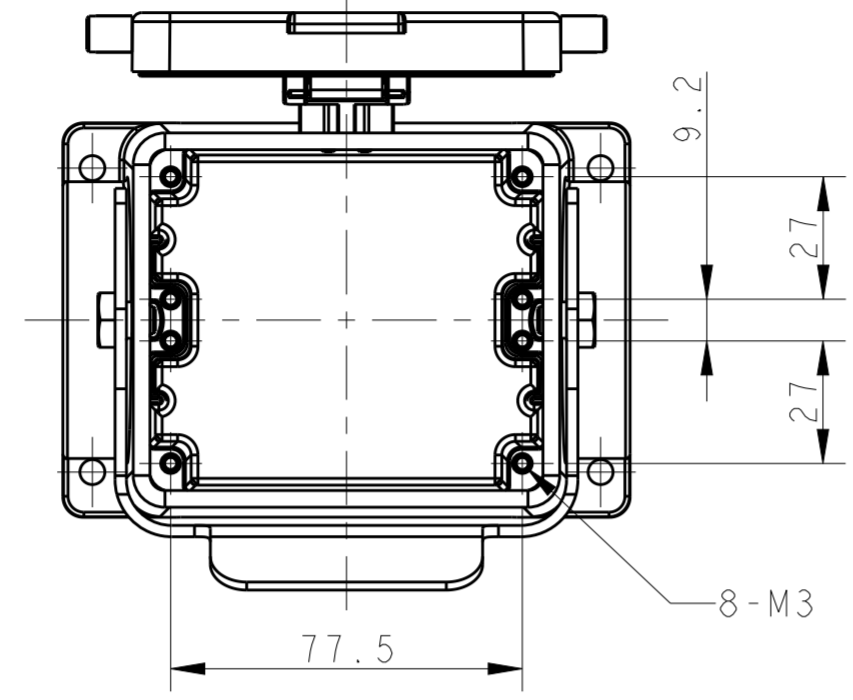


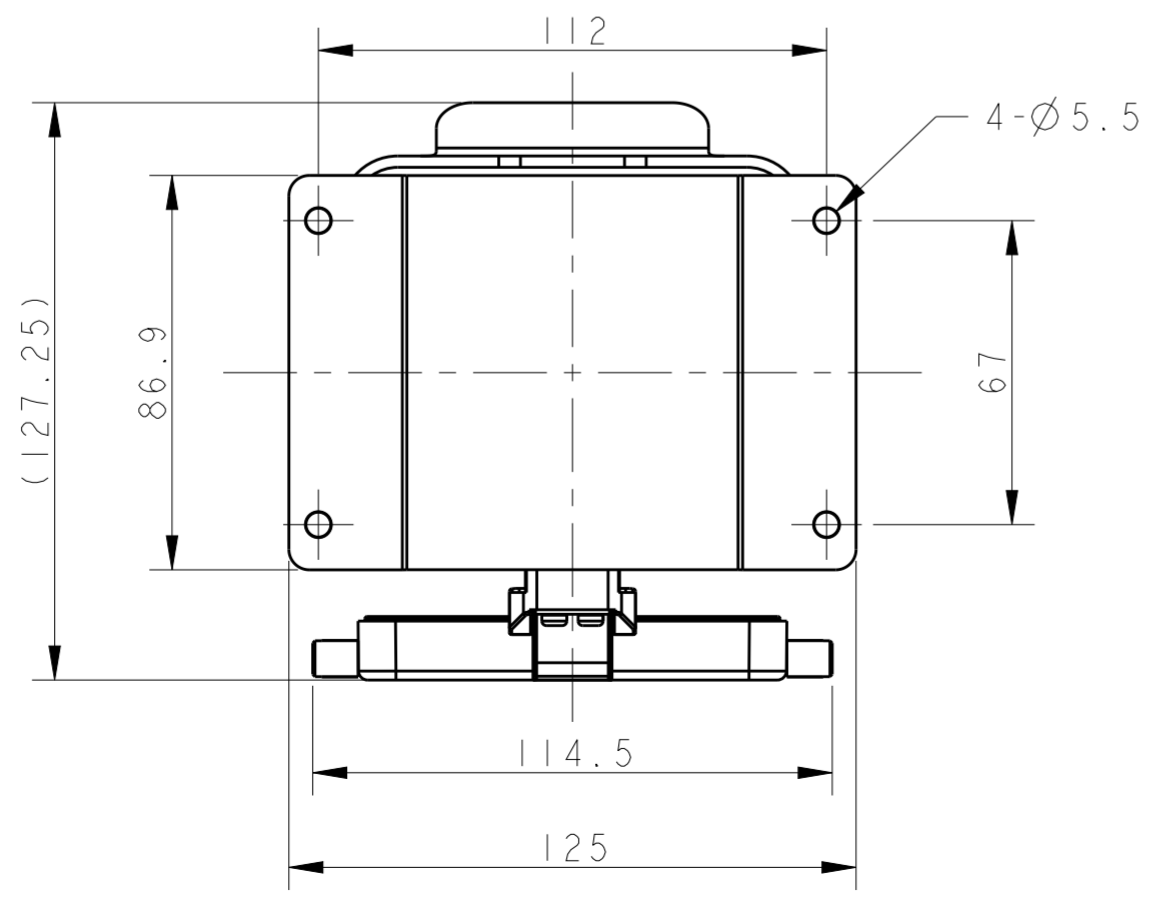
THIS DRAWING IS UNPUBLISHED. RELEASED FOR PUBLICATION 20
 © COPYRIGHT 20 BY - ALL RIGHTS RESERVED.

REVISIONS				
P	LTR	DESCRIPTION	DATE	APVD
A		INITIAL RELEASE	04JUN2015	DL CW



NOTES:
 1. TECHNICAL CHARACTERISTICS:
 BODY MATERIAL: DIE CAST ALUMINIUM ALLOY
 SURFACE TREATMENT: POWDER-COATED, GRAY
 OPERATION TEMPERATURE: -40-+125°C
 DEGREE OF PROTECTION: IP65 (MATED)

注释:
 1. 技术参数:
 主体材料: 铝合金
 表面处理: 粉末喷涂, 灰色
 工作温度: -40-+125°C
 防护等级: IP65(配合)



T1620320129-000	H32B-SDR-LB-PG29	PG29	-
T1620322132-000	H32B-SDR-LB-M32	M32	-
T1620320136-000	H32B-SDR-LB-PG36	PG36	-
T1620320140-000	H32B-SDR-LB-M40	M40	-
T1620320142-000	H32B-SDR-LB-PG42	PG42	-
T1620320150-000	H32B-SDR-LB-M50	M50	-
T1620320229-000	H32B-SDR-LB-2PG29	PG29	PG29
T1620320232-000	H32B-SDR-LB-2M32	M32	M32
T1620320236-000	H32B-SDR-LB-2PG36	PG36	PG36
T1620320240-000	H32B-SDR-LB-2M40	M40	M40
ASSEMBLY PART NUMBER	ASSEMBLY PART DESCRIPTION	IG1	IG2

THIS DRAWING IS A CONTROLLED DOCUMENT.

DWN DAVID LI 04JUN2015	TE Connectivity
CHK CHRIS WANG 04JUN2015	
APVD XU XIANG 04JUN2015	
NAME H32B-SDR-LB-PG/M	
DIMENSIONS: mm	PRODUCT SPEC 108-137013
TOLERANCES UNLESS OTHERWISE SPECIFIED:	APPLICATION SPEC 114-137013
0 PLC ±	WEIGHT -
1 PLC ±	Customer Drawing
2 PLC ±	SCALE 3:5
3 PLC ±	SHEET 1 OF 1
4 PLC ±	REV A
ANGLES ±	
FINISH -	