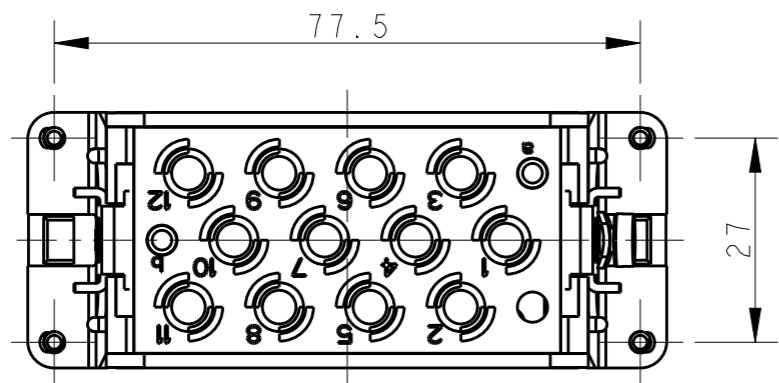


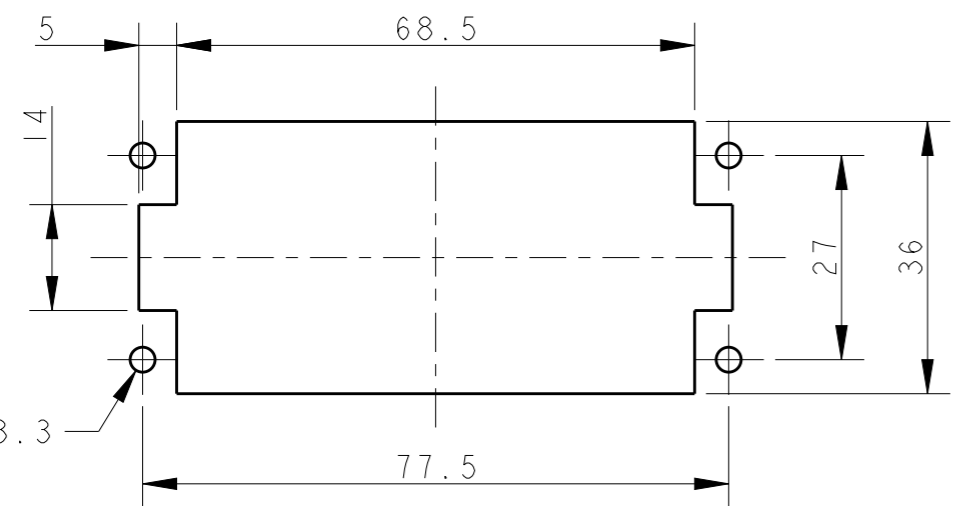
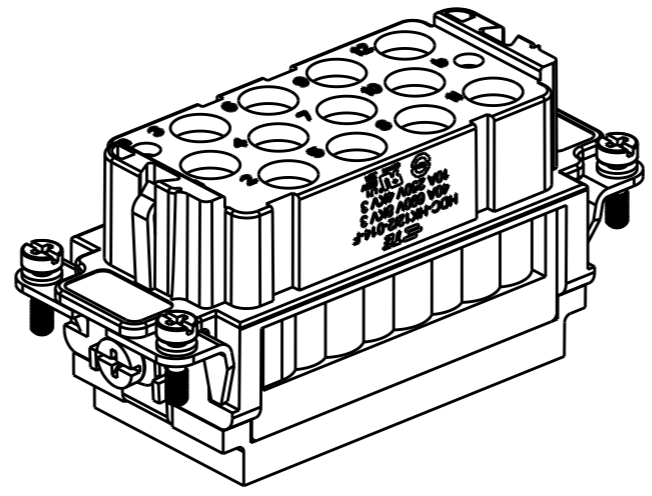
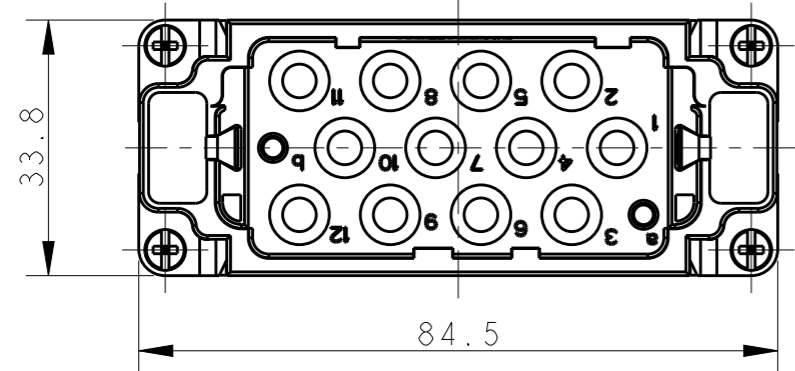
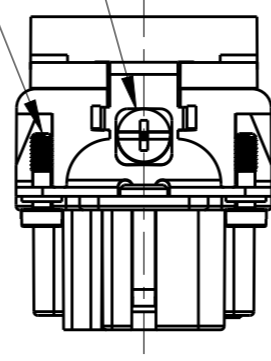
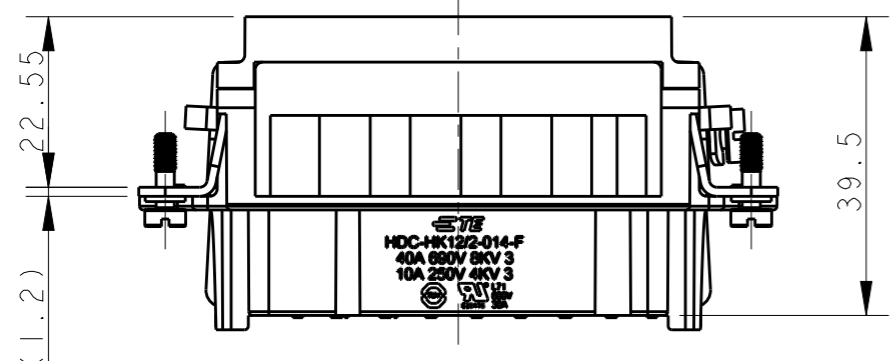
THIS DRAWING IS UNPUBLISHED. RELEASED FOR PUBLICATION 20
 © COPYRIGHT 20 BY - ALL RIGHTS RESERVED.

REVISIONS					
P	LTR	DESCRIPTION	DATE	DWN	APVD
	A	INITIAL	22DEC2014	DW	CW
	B	ECR-15-018481	23FEB2016	DW	CW



M4 SCREW
 RECOMMENDED TIGHTENING TORQUE 1.2Nm

4-M3 SCREW
 RECOMMENDED TIGHTENING TORQUE 0.5Nm



PANEL CUT FOR INSERTS FOR USE WITHOUT HOODS/ HOUSINGS

NOTES:

- TECHNICAL CHARACTERISTICS:
 INSULATION MATERIAL: PC
 RATED VOLTAGE: POWER: 690 V; SIGNAL: 250V
 RATED CURRENT: POWER: 40 A; SIGNAL: 10A
 INSULATION RESISTANCE: >=400MΩ
 RATED IMPULSE VOLTAGE: POWER: 8 KV; SIGNAL: 4 KV
 POLLUTION DEGREE: 3
 CONTACT RESISTANCE: POWER: <=1 mΩ; SIGNAL: <=5 mΩ
 FLAMMABILITY: UL94V-0
 MATING CYCLES: 500 CYCLES
 OPERATION TEMPERATURE: -40-+125°C
 WIRE RANGE: POWER: 1-6 mm² (18-10 AWG)
 SIGNAL: 0.14-2.5 mm² (26-14 AWG)
 CONTACT TYPE: CRIMP CONTACT
- CONTACT NEED TO BE ORDERED SEPARATELY.
 (ORDER No. REFER TO DRAWING:
 T20200X20XX000 FOR SIGNAL; T20400X20XX000 FOR POWER)

注释:

- 技术参数:
 绝缘材料: PC
 额定电压: 电源: 690 V; 信号: 250 V
 额定电流: 电源: 40 A; 信号: 10 A
 绝缘电阻: >=400MΩ
 额定脉冲电压: 电源: 8 KV; 信号: 4 KV
 污染等级: 3
 接触电阻: 电源: <=1 mΩ; 信号: <=5 mΩ
 阻燃等级: UL94V-0
 插拔次数: 500次
 工作温度: -40-+125°C
 接线范围: 电源: 1-6 mm² (18-10 AWG)
 信号: 0.14-2.5 mm² (26-14 AWG)
 接线类型: 冷压接
- 端子需要单独订购。
 (订货号参考图面: 信号端子: T20200X20XX000; 电源端子: T20400X20XX000)

T2120142201-000	HK12/2-014-F HK12/2-014 母插
PART NUMBER 料号	PART DESCRIPTION 描述

THIS DRAWING IS A CONTROLLED DOCUMENT.		DWN 22DEC2014 David Wang		TE Connectivity	
DIMENSIONS: mm		CHK 22DEC2014 Chris Wang			
TOLERANCES UNLESS OTHERWISE SPECIFIED:		APVD 22DEC2014 Xiang Xu		NAME HK12/2-014-F	
0 PLC ±-		PRODUCT SPEC 108-137053		SIZE	
1 PLC ±-		APPLICATION SPEC 114-137053		CAGE CODE	
2 PLC ±-		WEIGHT		DRAWING NO	
3 PLC ±-		Customer Drawing		A300779	
4 PLC ±-		SCALE 1:1		SHEET 1 OF 1	
ANGLES ±-		REV B		RESTRICTED TO	
FINISH					
MATERIAL					