

THIS DRAWING IS UNPUBLISHED.

RELEASED FOR PUBLICATION

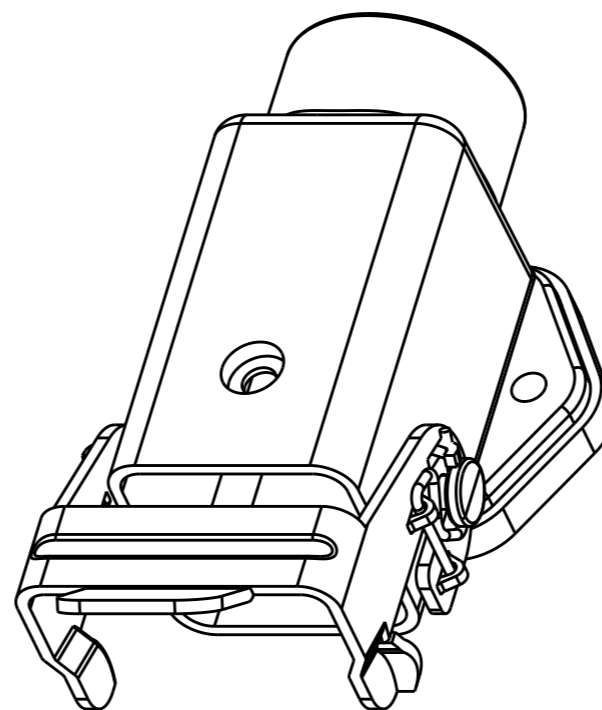
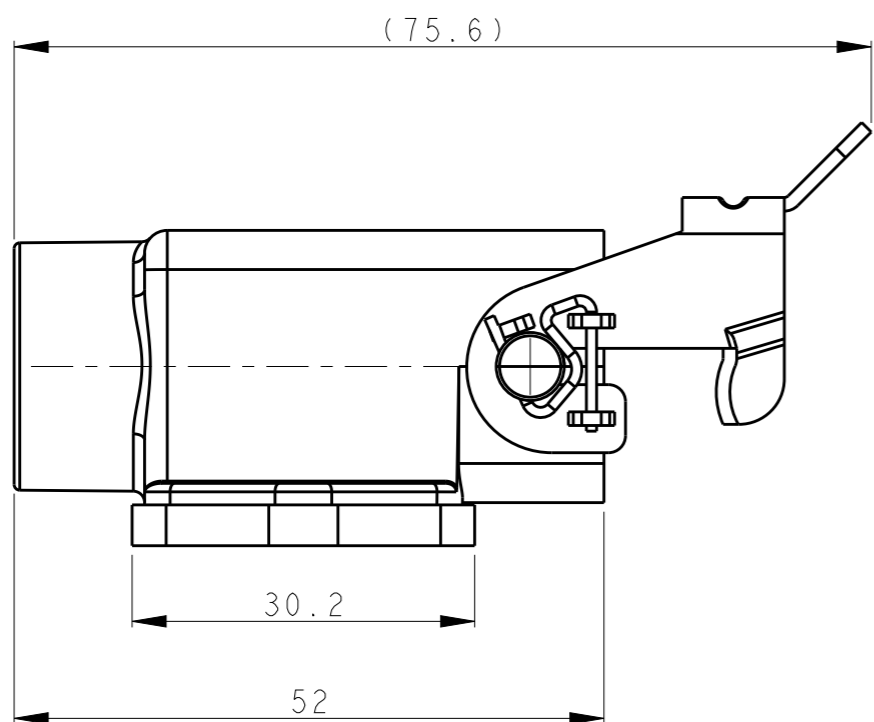
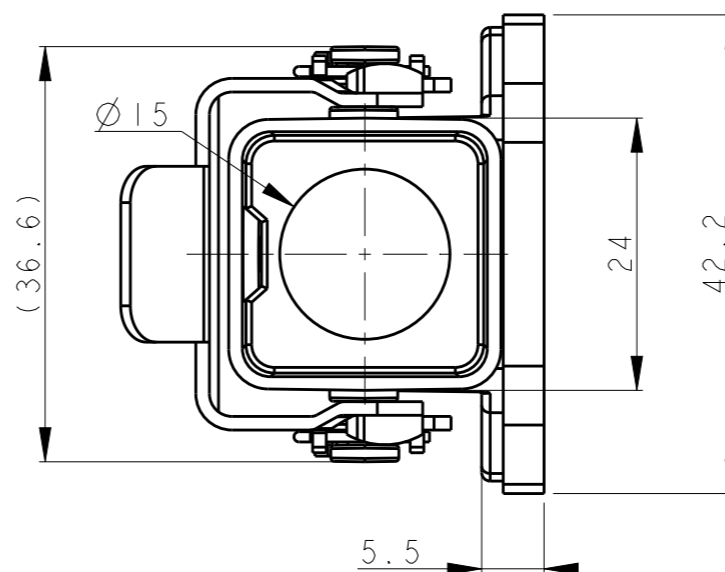
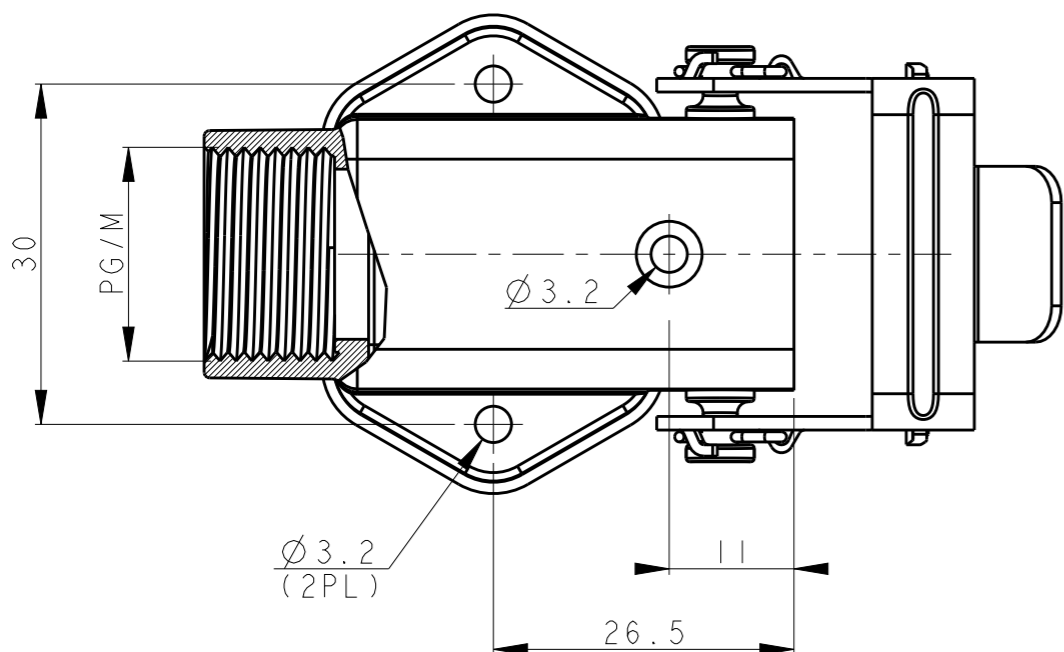
20

© COPYRIGHT 20 BY -

ALL RIGHTS RESERVED.

REVISIONS

P	LTR	DESCRIPTION	DATE	DWN	APVD
	A	INITIAL RELEASE	24APR2015	DL	CW



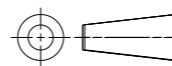
NOTES:  
 1. TECHNICAL CHARACTERISTICS:  
 BODY MATERIAL: DIE CAST ZINC ALLOY  
 SURFACE TREATMENT: POWDER-COATED, GRAY  
 OPERATION TEMPERATURE: -40-+125°C  
 DEGREE OF PROTECTION: IP65 (MATED)

注释:  
 1. 技术参数:  
 主体材料: 锌合金  
 表面处理: 粉末喷涂, 灰色  
 工作温度: -40-+125°C  
 防护等级: IP65(配合)

T1619030111-000	H3A-MAGSV-PG11	PG11
T1619030116-000	H3A-MAGSV-M16	M16
T1619030120-000	H3A-MAGSV-M20	M20
ASSEMBLY PART NUMBER	ASSEMBLY PART DESCRIPTION	PG/M

THIS DRAWING IS A CONTROLLED DOCUMENT.

DIMENSIONS:  
mm



TOLERANCES UNLESS OTHERWISE SPECIFIED:

0 PLC	±-
1 PLC	±-
2 PLC	±-
3 PLC	±-
4 PLC	±-
ANGLES	±-
FINISH	-

MATERIAL

-

FINISH

-

DWN 24APR2015

DAVID LI

CHK 24APR2015

CHRIS WANG

APVD 24APR2015

XU XIANG

PRODUCT SPEC

108-137012

APPLICATION SPEC

114-137012

WEIGHT

-

CUSTOMER DRAWING

NAME H3A-MAGSV-PG/M

SIZE CAGE CODE DRAWING NO RESTRICTED TO

A3 - C-T16190301XX000 -

SCALE 3:2 SHEET 1 OF 1 REV A

