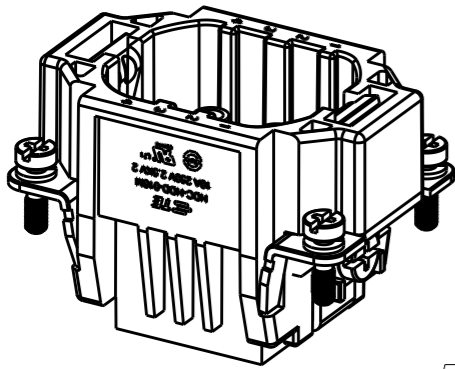


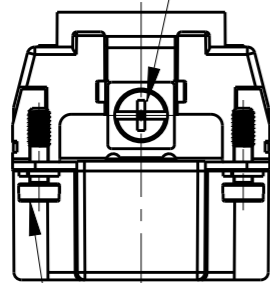
THIS DRAWING IS UNPUBLISHED. RELEASED FOR PUBLICATION 20
 © COPYRIGHT 20 BY - ALL RIGHTS RESERVED.

REVISIONS

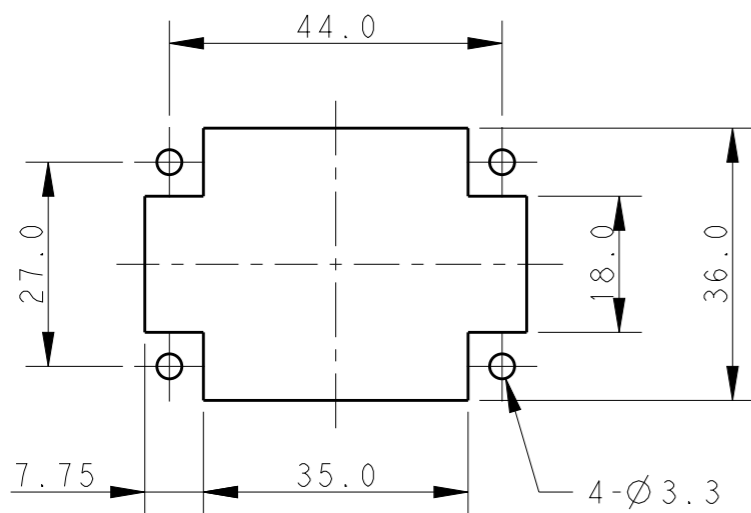
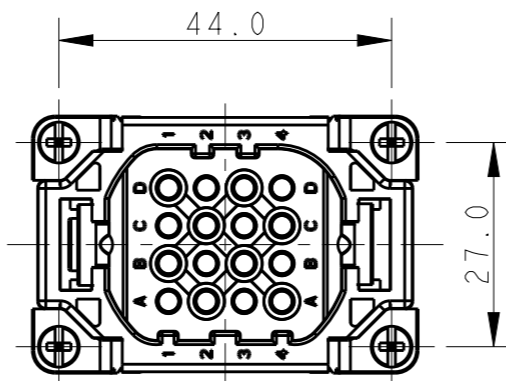
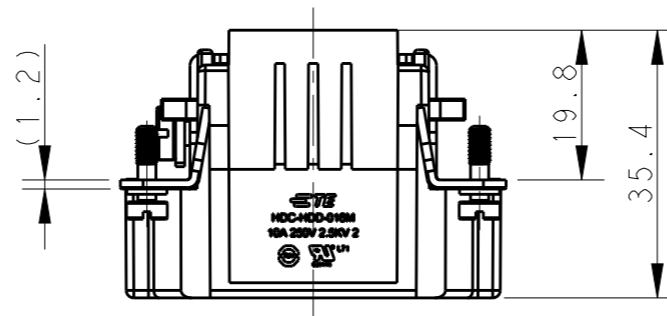
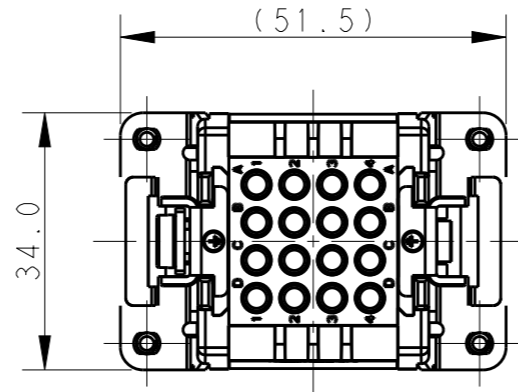
P	LTR	DESCRIPTION	DATE	DWN	APVD
	A	INITIAL	04JAN2016	RL	CW



GROUND CONTACT SCREW:
 M4 SCREW RECOMMENDED
 TIGHTENING TORQUE 1.2Nm
 接地压线螺丝: M4螺丝推荐拧紧力矩 1.2Nm



FIXING SCREW: 4xM3
 RECOMMENDED TIGHTENING TORQUE 0.5Nm
 固定螺丝: 4xM3螺丝推荐拧紧力矩0.5Nm



PANEL CUT OUT FOR INSERTS FOR USING WITHOUT HOODS/HOUSINGS
 不带壳体时面板开孔尺寸


NOTES:

- TECHNICAL CHARACTERISTICS:
 INSULATION MATERIAL: PC
 RATED VOLTAGE: 250 V
 RATED CURRENT: 10 A
 INSULATION RESISTANCE: $\geq 400M\Omega$
 RATED IMPULSE VOLTAGE: 2.5 KV
 POLLUTION DEGREE: 2
 FLAMMABILITY: UL94V-0
 MATING CYCLES: 500 CYCLES
 OPERATION TEMPERATURE: $-40+125^{\circ}C$
 WIRE RANGE: 0.14-2.5 mm² (26-14 AWG)
 CONTACT TYPE: CRIMP CONTACT
- CONTACT NEED TO BE ORDERED SEPARATELY.
 (ORDER No. REFER TO DRAWING: T20200X20XX000)

注释:

- 技术参数:
 绝缘材料: PC
 额定电压: 250V
 额定电流: 10A
 绝缘电阻: $\geq 400M\Omega$
 额定脉冲电压: 2.5 KV
 污染等级: 2
 阻燃等级: UL94V-0
 插拔次数: 500次
 工作温度: $-40+125^{\circ}C$
 接线范围: 0.14-2.5 mm² (26-14 AWG)
 接线类型: 冷压接
- 端子需要单独订购。
 (订货号参考图面: T20200X20XX000)

T2030162101-000	HDD-016-M HDD-016 公插
PART NUMBER 料号	PART DESCRIPTION 描述

THIS DRAWING IS A CONTROLLED DOCUMENT.		DWN ROY LIU 04JAN2016	 TE Connectivity NAME HDD-016-M	
DIMENSIONS: mm		CHK KYLE ZENG 04JAN2016		
TOLERANCES UNLESS OTHERWISE SPECIFIED:		APVD CHRIS WANG 04JAN2016		
0 PLC ±- 1 PLC ±- 2 PLC ±- 3 PLC ±- 4 PLC ±- ANGLES ±-		PRODUCT SPEC 108-137043		
MATERIAL -		FINISH -	APPLICATION SPEC 114-137043	SIZE A3
			WEIGHT -	CAGE CODE 00779
			CUSTOMER DRAWING	DRAWING NO. T2030162101000
				RESTRICTED TO -
				SCALE 1:1
				SHEET 1 OF 1
				REV A