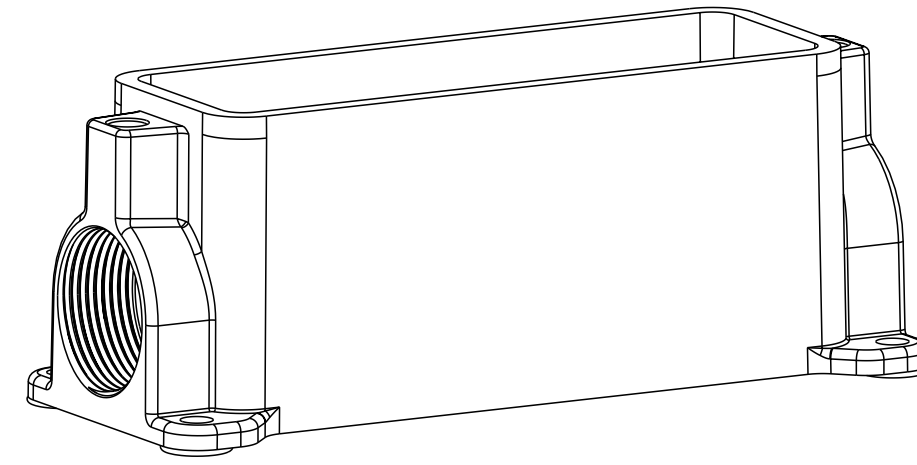
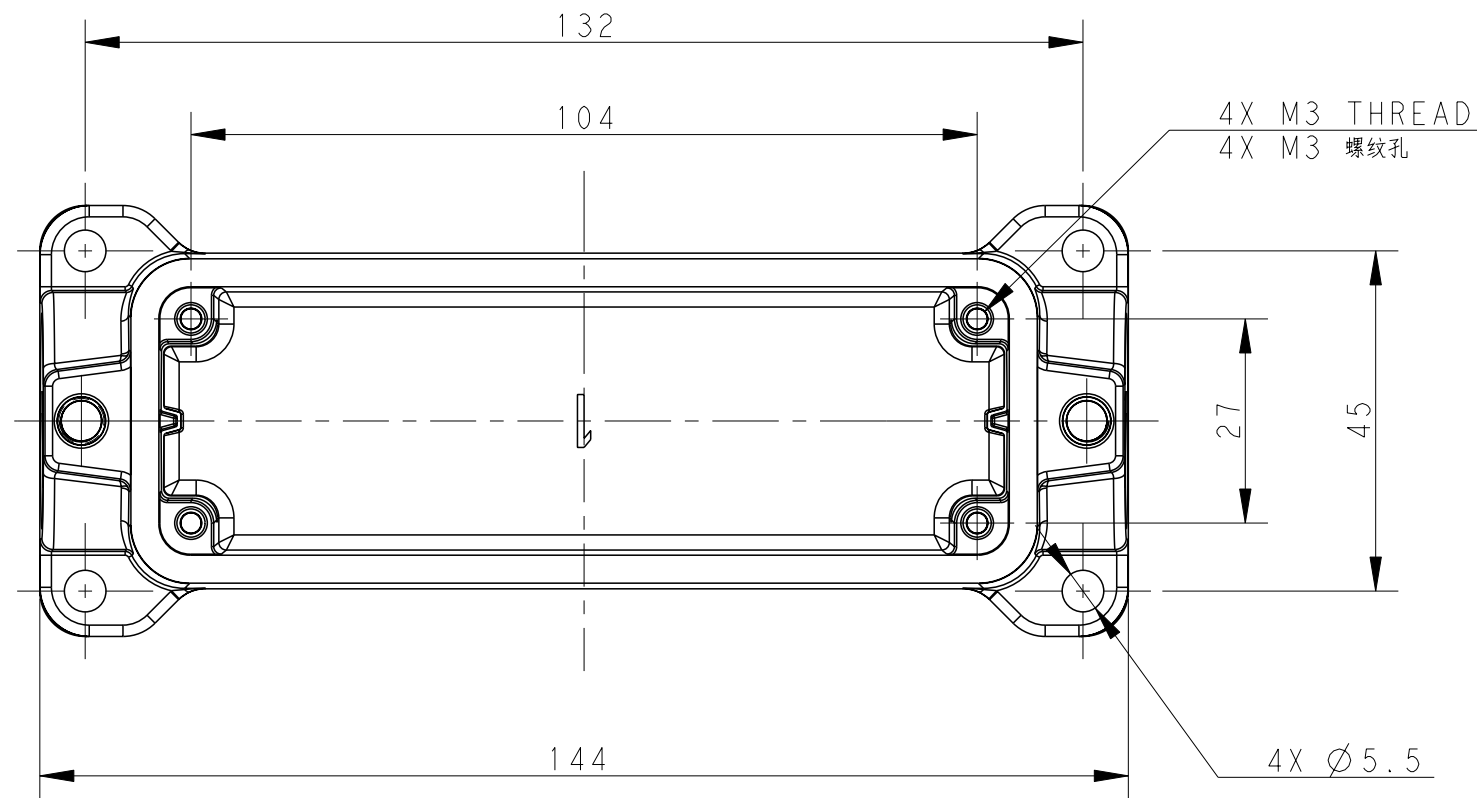


THIS DRAWING IS UNPUBLISHED. RELEASED FOR PUBLICATION 20  
 © COPYRIGHT 20 BY - ALL RIGHTS RESERVED.

TYPE 1: SIDE ENTRY  
 类型 1: 侧出

REVISIONS				
P	LTR	DESCRIPTION	DATE	APVD
	A	INITIAL	25APR2017	BS CW
	A1	ECR-18-003490	13MAR2018	TF CW
	B	ECR-18-013289	22AUG2018	YC CW

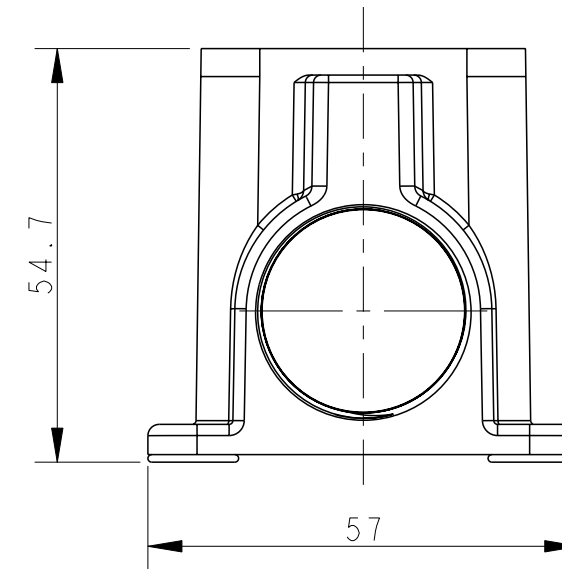
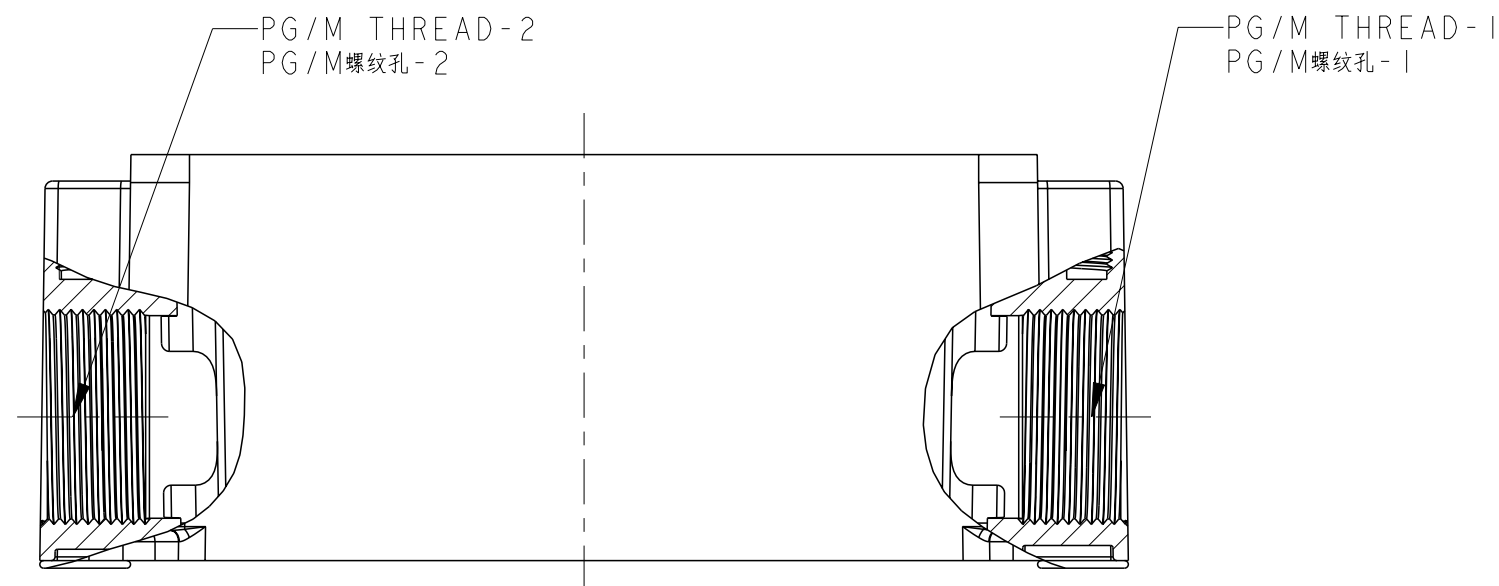


NOTES:

- 1. TECHNICAL CHARACTERISTICS:  
 HOUSEING MATERIAL: DIE CAST ALUMINIUM ALLOY  
 SURFACE: POWDER COATED, GRAY  
 DEGREE OF PROTECTION: IP67 (MATED)

注释:

- 1. 技术参数:  
 下壳材料: 铝合金  
 表面处理: 粉末喷涂, 灰色  
 防护等级: IP67 (配合)



THIS DRAWING IS A CONTROLLED DOCUMENT.		DWN BELL SU 25APR2017	<b>STE</b> TE Connectivity	
DIMENSIONS: mm		CHK GINO YAO 25APR2017		
TOLERANCES UNLESS OTHERWISE SPECIFIED:		APVD CHRIS WANG 25APR2017	NAME H24BK-SGR/SGRB-PG/M	
0 PLC ±-		PRODUCT SPEC 108-137276	SIZE A2	
1 PLC ±-		APPLICATION SPEC 114-137276	CAGE CODE -	DRAWING NO G-T18X2242XXX000
2 PLC ±-		MATERIAL -	SCALE 1:1	RESTRICTED TO -
3 PLC ±-		FINISH -	SHEET 1 OF 2	REV B
4 PLC ±-		CUSTOMER DRAWING		

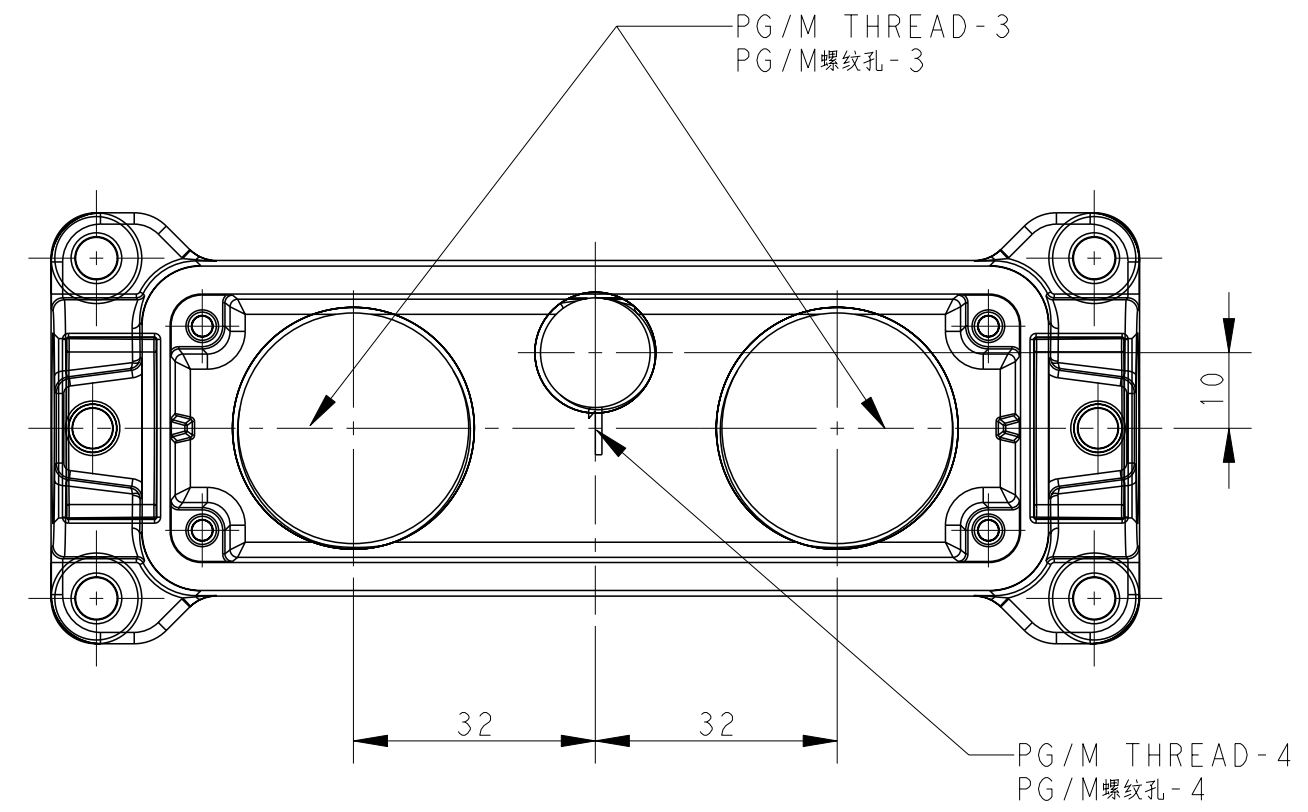
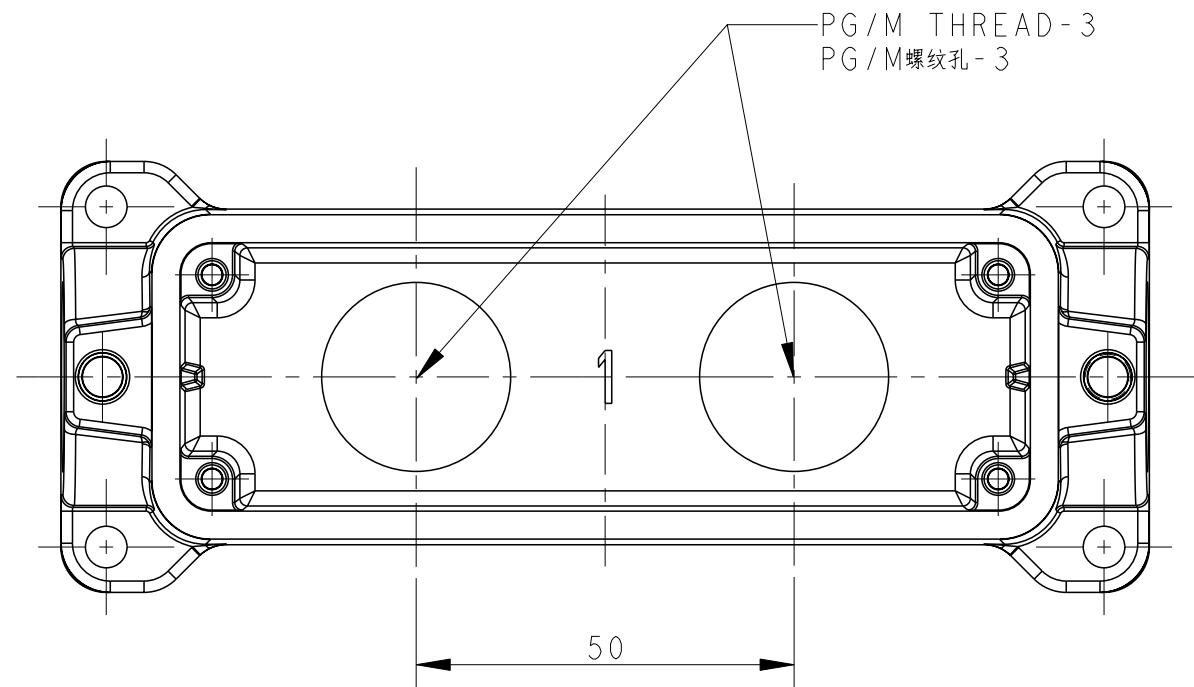
THIS DRAWING IS UNPUBLISHED. RELEASED FOR PUBLICATION 20  
 © COPYRIGHT 20 BY - ALL RIGHTS RESERVED.

REVISIONS				
P	LTR	DESCRIPTION	DATE	APVD
-		SEE SHEET 1	-	-

TYPE 2: BOTTOM ENTRY, OTHER SPEC. REFER TO TYPE 1.  
 类型 2: 底出, 其他规格参照类型 1。

TYPE 3: BOTTOM ENTRY, OTHER SPEC. REFER TO TYPE 1.  
 类型 3: 底出, 其他规格参照类型 1。

NOTES:  
 SEE SHEET 1.  
 注释:  
 见 SHEET 1.



T1852242121-000	H24BK-SGR-PG21	H24BK HOUSING, CENTER LOCKING, SURFACE MOUNTED, PG21, POWDER COATED, GREY H24BK下壳, 中脚锁定, 表面安装, PG21, 灰色粉末喷涂	PG21	-	-	-	-	TYPE 1 类型 1
T1852242125-000	H24BK-SGR-M25	H24BK HOUSING, CENTER LOCKING, SURFACE MOUNTED, M25, POWDER COATED, GREY H24BK下壳, 中脚锁定, 表面安装, M25, 灰色粉末喷涂	M25	-	-	-	-	
T1852242221-000	H24BK-SGR-2PG21	H24BK HOUSING, CENTER LOCKING, SURFACE MOUNTED, 2PG21, POWDER COATED, GREY H24BK下壳, 中脚锁定, 表面安装, 2PG21, 灰色粉末喷涂	PG21	PG21	-	-	-	
T1852242225-000	H24BK-SGR-2M25	H24BK HOUSING, CENTER LOCKING, SURFACE MOUNTED, 2M25, POWDER COATED, GREY H24BK下壳, 中脚锁定, 表面安装, 2M25, 灰色粉末喷涂	M25	M25	-	-	-	TYPE 2 类型 2
T1862242225-000	H24BK-SGRB-2M25	H24BK HOUSING, CENTER LOCKING, SURFACE MOUNTED, BOTTOM ENTRY 2M25, POWDER COATED, GREY H24BK下壳, 中脚锁定, 表面安装, 底出2M25, 灰色粉末喷涂	-	-	2M25	-	-	TYPE 3 类型 3
T1862243216-000	H24BK-SGRB-2M32/M16	H24BK HOUSING, CENTER LOCKING, SURFACE MOUNTED, BOTTOM ENTRY 2M32/16, POWDER COATED, GREY H24BK下壳, 中脚锁定, 表面安装, 底出2M32/M16, 灰色粉末喷涂	-	-	2M32	M16	-	TYPE 3 类型 3
PART NUMBER 零件料号	PART DESCRIPTION 零件描述		PG/M THREAD-1 PG/M 螺纹孔-1	PG/M THREAD-2 PG/M 螺纹孔-2	PG/M THREAD-3 PG/M 螺纹孔-3	PG/M THREAD-4 PG/M 螺纹孔-4	TYPE 类型	

THIS DRAWING IS A CONTROLLED DOCUMENT.

DWN: BELL SU 25APR2017  
 CHK: GINO YAO 25APR2017  
 APVD: CHRIS WANG 25APR2017

PRODUCT SPEC: 108-137276  
 APPLICATION SPEC: 114-137276

NAME: H24BK-SGR/SGRB-PG/M

SCALE: 1:1 SHEET 2 OF 2 REV B

CUSTOMER DRAWING