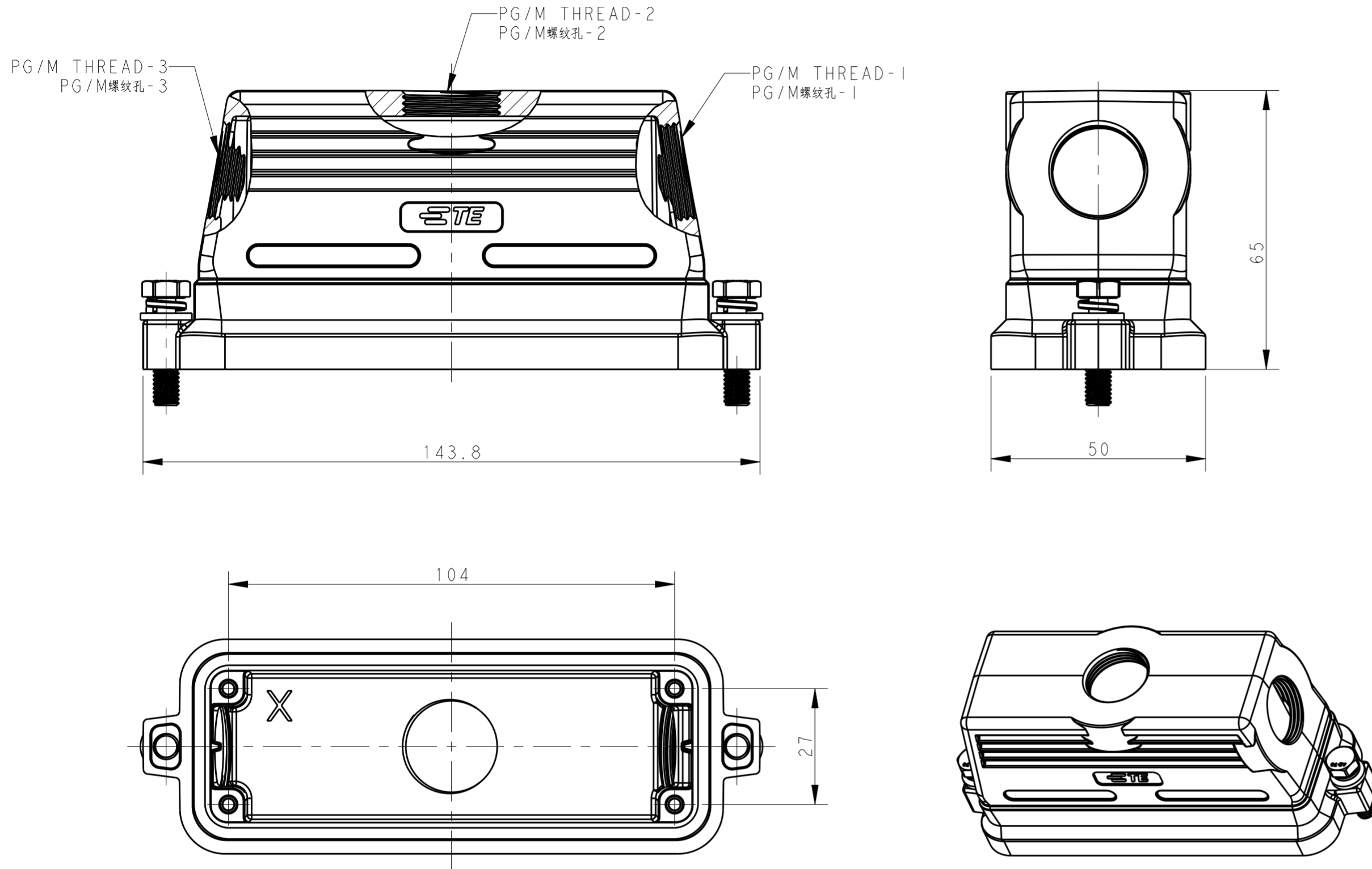


THIS DRAWING IS UNPUBLISHED. RELEASED FOR PUBLICATION 20  
 © COPYRIGHT 20 BY - ALL RIGHTS RESERVED.

REVISIONS					
P	LTR	DESCRIPTION	DATE	DWN	APVD
	A	INITIAL	05APR2017	BS	CW

TYPE 1: TOP ENTRY PG16, DOUBLE SIDE ENTRY 2PG16  
 类型 1: 顶出PG16, 双侧出2PG16

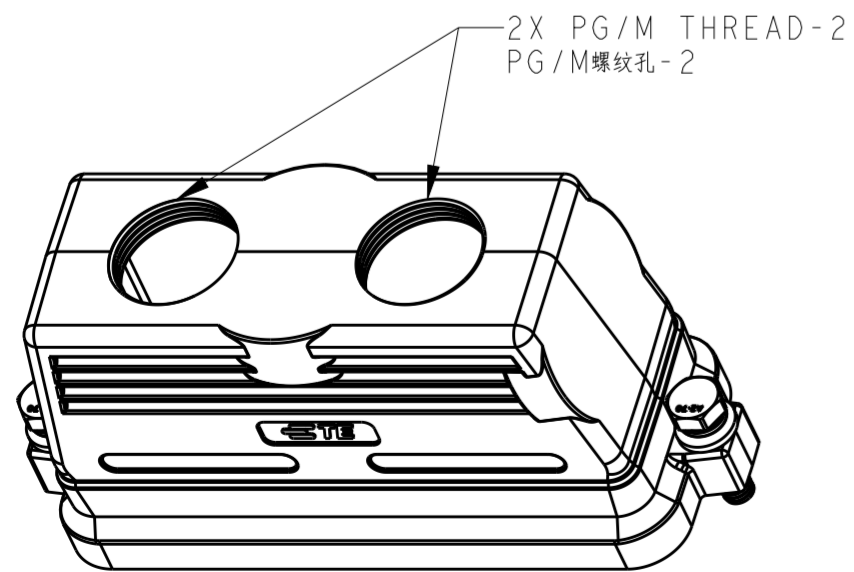


NOTES:

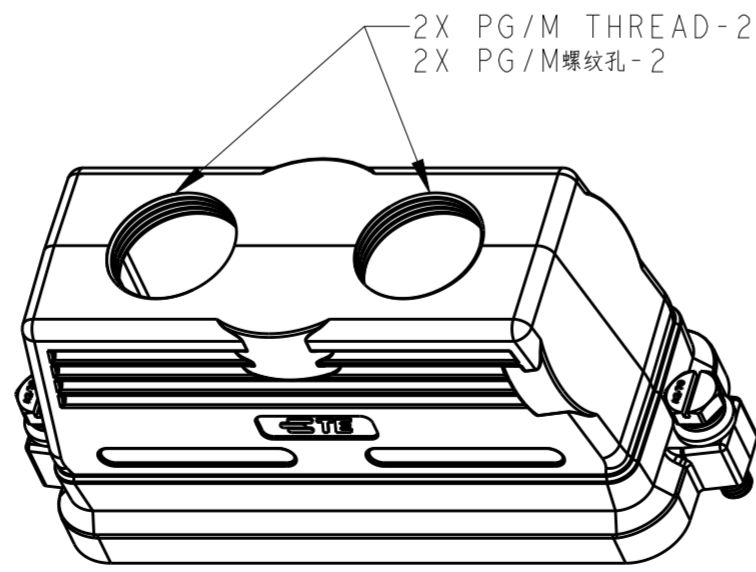
- TECHNICAL CHARACTERISTICS:  
 HOOD MATERIAL: DIE CAST ALUMINIUM ALLOY  
 SURFACE: POWDER COATED  
 DEGREE OF PROTECTION: IP67 (MATED)

注释:

- 技术参数:  
 上壳材料: 铝合金  
 表面处理: 粉末喷涂  
 防护等级: IP67(配合)



TYPE 2: TOP ENTRY 2M25  
 类型 2: 顶出2M25



TYPE 3: TOP ENTRY 2M25, MINUS SCREW  
 类型 3: 顶出2M25, 带一字槽螺丝

PART NUMBER	PART DESCRIPTION	PG/M THREAD-1	PG/M THREAD-2	PG/M THREAD-3	TYPE
T1802241616-000	H24BK-TG/TSHC-PG16/2PG16 H24BK HOOD, CENTER LOCKING, TOP ENTRY PG16, DOUBLE SIDE ENTRY 2PG16, POWDER COATED, GREY H24BK上壳, 中锁锁定, 顶出PG16, 双侧出2PG16, 灰色粉末喷涂	PG16	PG16	PG16	TYPE-1 类型-1
T1822242225-000	H24BK-TGHC-2M25 H24BK HOOD, CENTER LOCKING, TOP ENTRY 2M25, POWDER COATED, GREY H24BK上壳, 中锁锁定, 顶出2M25, 灰色粉末喷涂	-	2M25	-	TYPE-2 类型-2
T1826242225-000	H24BK-TGHC-2M25 H24BK HOOD, CENTER LOCKING, MINUS SCREW, TOP ENTRY 2M25, POWDER COATED, GREY H24BK上壳, 中锁锁定, 带一字槽螺丝, 顶出2M25, 灰色粉末喷涂	-	2M25	-	TYPE-3 类型-3

THIS DRAWING IS A CONTROLLED DOCUMENT.

DWN BELL SU 05APR2017  
 CHK GINO YAO 05APR2017  
 APVD CHRIS WANG 05APR2017

**STE** TE Connectivity

NAME H24BK-TGHC-PG/M

PRODUCT SPEC 108-137276  
 APPLICATION SPEC 114-137276

SIZE A2 CAGE CODE - DRAWING NO. C-T18XX24XXXX000 RESTRICTED TO -  
 WEIGHT - SCALE 1:1 SHEET 1 OF 1 REV A

CUSTOMER DRAWING