

4

3

2

1

THIS DRAWING IS UNPUBLISHED.

RELEASED FOR PUBLICATION

20

© COPYRIGHT 20

BY -

ALL RIGHTS RESERVED.

REVISIONS

P	LTR	DESCRIPTION	DATE	DWN	APVD
	A	INITIAL RELEASE	02JUN2015	DL	CW
	A1	ECR-17-017115	28NOV2017	CH	CW

4X Ø5.50
4X 77.50
8X M3 THREAD
8X M3 螺纹孔
2X 27.00
2X 9.20
2X 65.00
2X 110.00

(94.0)
82.50
(86.0)
(56.3)

NOTES:
1. TECHNICAL CHARACTERISTICS:
BODY MATERIAL: DIE CAST ALUMINIUM ALLOY
SURFACE TREATMENT: POWDER COATED, GREY
DEGREE OF PROTECTION: IP65 (MATED)

注释:
1. 技术参数:
主体材料: 铝合金
表面处理: 灰色粉末喷涂
防护等级: IP65(配合)

4X Ø5.40
86.00
71.00
2X 110.00
2X 65.00

开孔安装示意图
PANNEL CUT OUT

94.00
2X 47.50
(6.5)
(37.6)
(127.5)

SCALE 1:2

THIS DRAWING IS A CONTROLLED DOCUMENT.

DWN DAVID.LI 02JUN2015

CHK CHRIS.WANG 02JUN2015

APVD XIANG.XU 02JUN2015

PRODUCT SPEC

108-137013

APPLICATION SPEC

114-137013

WEIGHT

-

Customer Drawing

NAME
H32B-AG

SIZE	CAGE CODE	DRAWING NO	RESTRICTED TO
A3	-	©-T1410322000X00	-

SCALE	SHEET	OF	REV
1:1	1	2	A1

DIMENSIONS:

mm

TOLERANCES UNLESS OTHERWISE SPECIFIED:

0 PLC	±-
1 PLC	±-
2 PLC	±-
3 PLC	±-
4 PLC	±-
ANGLES	±-
FINISH	-

MATERIAL

-

-

1470-19 (3/13)

THIS DRAWING IS UNPUBLISHED.

RELEASED FOR PUBLICATION

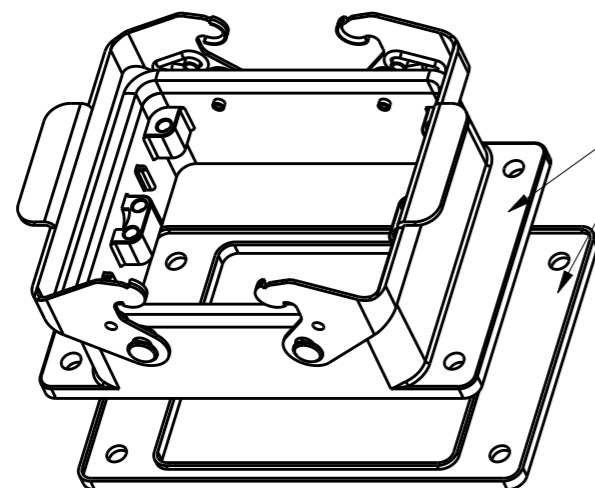
20

© COPYRIGHT 20 BY -

ALL RIGHTS RESERVED.

REVISIONS

P	LTR	DESCRIPTION	DATE	DWN	APVD
-		SEE SHEET 1	-	-	-



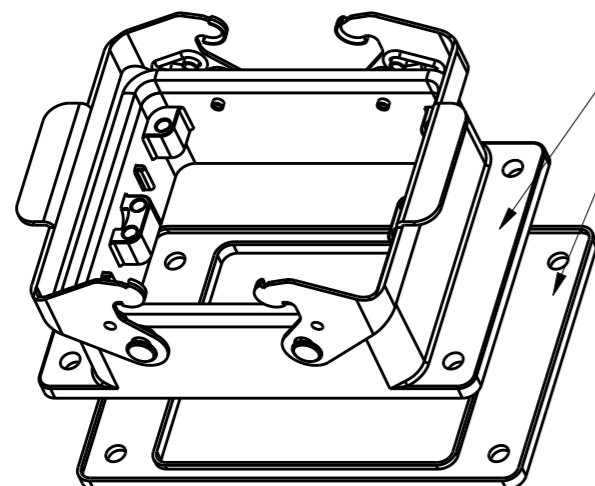
FLANGE SEALING SHOULD NOT BE STICKED TOGETHER WITH HOUSING. PUT TOGETHER SEPARATELY.
包边密封垫不需和下壳粘在一起，分开放在一起即可。

SCALE 1:2

TYPE 1
类型 1

NOTES:

SEE SHEET 1



FLANGE SEALING SHOULD BE STICKED TOGETHER WITH HOUSING USING GLUE FULLY.
包边密封垫需和下壳用胶水粘在一起

SCALE 1:2

TYPE 2: THIS TYPE IS SAME AS TYPE 1, ONLY FLANGE SEALING SHOULD BE STICKED TOGETHER WITH HOUSING USING GLUE FULLY.
类型 2: 此类型同类型 1, 只是包边密封圈需要用胶水和壳体粘在一起而已。

TI410322000-100	H32B-AG	H32B HOUSING, BULKHEAD MOUNTED, METAL DOUBLE LOCKING, SEAL, POWDER COATED, GREY H32B下壳, 开孔安装, 彩锌双扣, 带密封垫, 灰色粉末喷涂	TYPE 2 类型 2
TI410322000-000	H32B-AG	H32B HOUSING, BULKHEAD MOUNTED, METAL DOUBLE LOCKING, POWDER COATED, GREY H32B下壳, 开孔安装, 彩锌双扣, 灰色粉末喷涂	TYPE 1 类型 1
PART NUMBER 料号	PART DESCRIPTION 描述		TYPE 类型

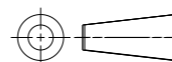
THIS DRAWING IS A CONTROLLED DOCUMENT.

DWN 02JUN2015
DAVID.LI
CHK 02JUN2015
CHRIS.WANG
APVD 02JUN2015
XIANG.XU



DIMENSIONS:
mm

TOLERANCES UNLESS OTHERWISE SPECIFIED:



0 PLC ±-
1 PLC ±-
2 PLC ±-
3 PLC ±-
4 PLC ±-
ANGLES ±-

PRODUCT SPEC
108-137013
APPLICATION SPEC
114-137013

NAME
H32B-AG

MATERIAL

FINISH

WEIGHT

SIZE A3 CAGE CODE - DRAWING NO. C-TI410322000X00 RESTRICTED TO -

Customer Drawing

SCALE 1:1 SHEET 2 OF 2 REV A1