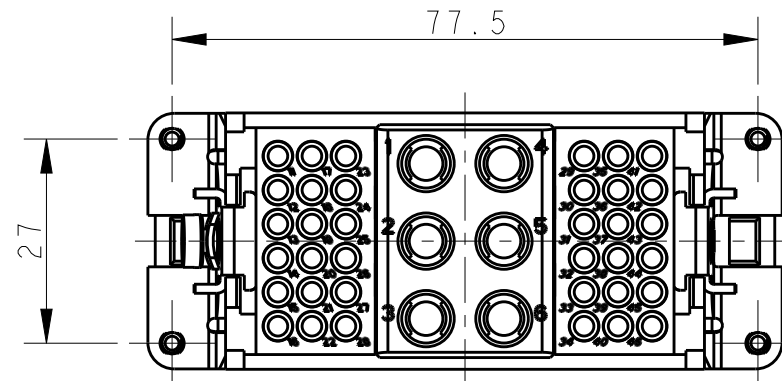
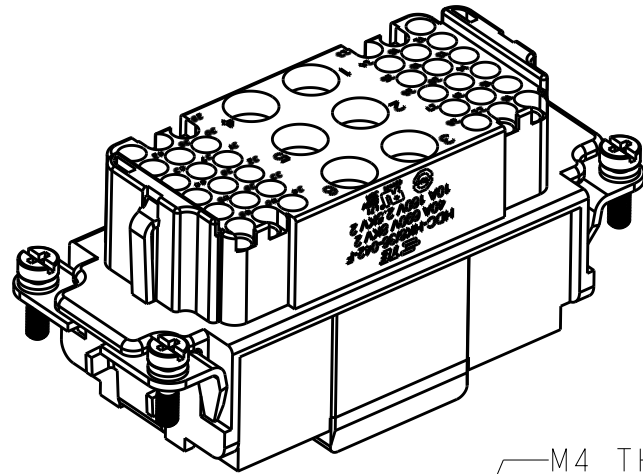


THIS DRAWING IS UNPUBLISHED. RELEASED FOR PUBLICATION 20  
 © COPYRIGHT 20 BY - ALL RIGHTS RESERVED.

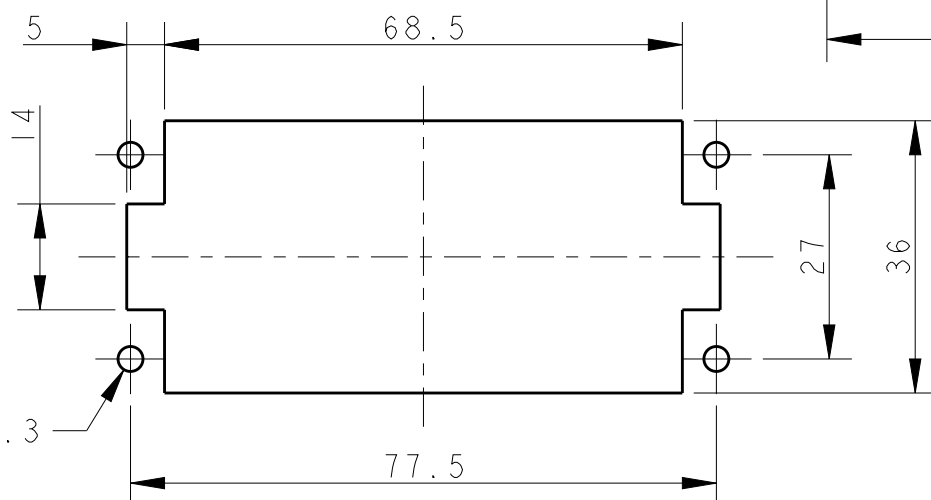
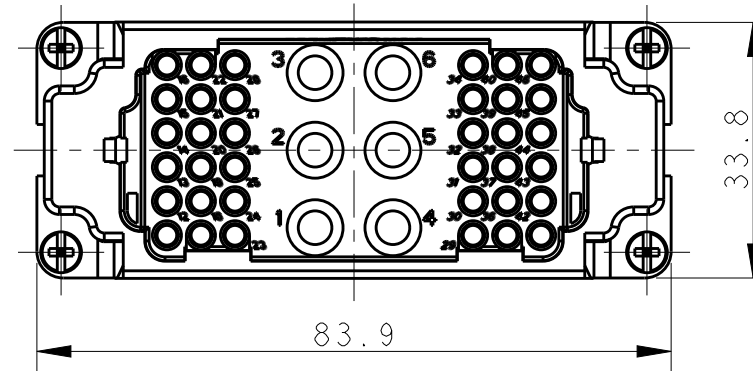
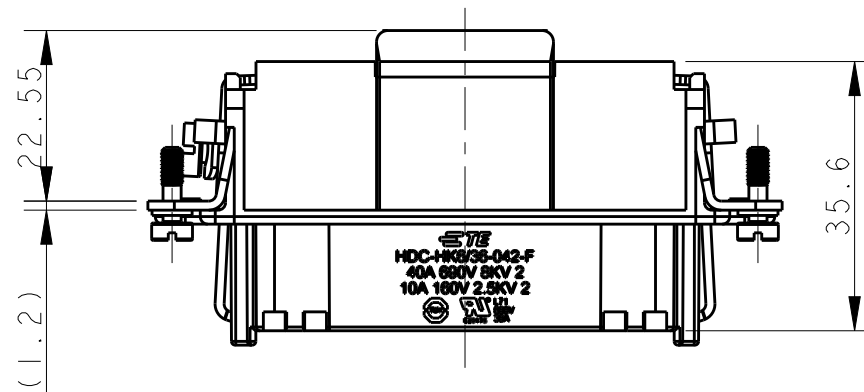
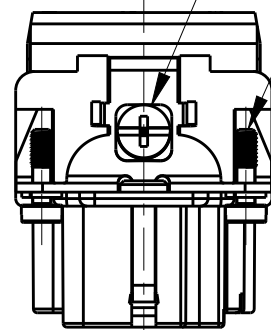
REVISIONS

P	LTR	DESCRIPTION	DATE	DWN	APVD
A		INITIAL	22DEC2014	DW	CW
B		ECR-15-018481	23FEB2016	DW	CW



M4 THREAD  
RECOMMENDED TIGHTENING TORQUE 1.2Nm

4-M3 THREAD  
RECOMMENDED TIGHTENING TORQUE 0.5Nm



PANEL CUT FOR INSERTS FOR USE WITHOUT HOODS/ HOUSINGS


NOTES:

- TECHNICAL CHARACTERISTICS:  
 INSULATION MATERIAL: PC  
 RATED VOLTAGE: POWER: 690 V; SIGNAL: 250V  
 RATED CURRENT: POWER: 40 A; SIGNAL: 10A  
 INSULATION RESISTANCE:  $\geq 400M\Omega$   
 RATED IMPULSE VOLTAGE: POWER: 8 KV; SIGNAL: 4 KV  
 POLLUTION DEGREE: 2  
 CONTACT RESISTANCE: POWER:  $\leq 1 m\Omega$ ; SIGNAL:  $\leq 5 m\Omega$   
 FLAMMABILITY: UL94V-0  
 MATING CYCLES: 500 CYCLES  
 OPERATION TEMPERATURE:  $-40-+125^{\circ}C$   
 WIRE RANGE: POWER: 1-6 mm<sup>2</sup> (18-10 AWG)  
 SIGNAL: 0.14-2.5 mm<sup>2</sup> (26-14 AWG)  
 CONTACT TYPE: CRIMP CONTACT
- CONTACT NEED TO BE ORDERED SEPARATELY.  
 (ORDER No. REFER TO DRAWING:  
 T20200X20XX000 FOR SIGNAL; T20400X20XX000 FOR POWER)

注释:

- 技术参数:  
 绝缘材料: PC  
 额定电压: 电源: 690 V; 信号: 250 V  
 额定电流: 电源: 40 A; 信号: 10 A  
 绝缘电阻:  $\geq 400M\Omega$   
 额定脉冲电压: 电源: 8 KV; 信号: 4 KV  
 污染等级: 2  
 接触电阻: 电源:  $\leq 1 m\Omega$ ; 信号:  $\leq 5 m\Omega$   
 阻燃等级: UL94V-0  
 插拔次数: 500次  
 工作温度:  $-40-+125^{\circ}C$   
 接线范围: 电源: 1-6 mm<sup>2</sup> (18-10 AWG)  
 信号: 0.14-2.5 mm<sup>2</sup> (26-14 AWG)  
 接线类型: 冷压接
- 端子需要单独订购。  
 (订货号参考图面: 信号端子:T20200X20XX000; 电源端子:T20400X20XX000)

T2120422201-000	HK6/36-042-F HK6/36-042 母插
PART NUMBER 料号	PART DESCRIPTION 描述

THIS DRAWING IS A CONTROLLED DOCUMENT.		DWN 22DEC2014 David Wang		 TE Connectivity	
DIMENSIONS: mm		CHK 22DEC2014 Chris Wang			
TOLERANCES UNLESS OTHERWISE SPECIFIED:		APVD 22DEC2014 Xiang Xu		NAME HK6/36-042-F	
0 PLC $\pm$ -		PRODUCT SPEC 108-137053		SIZE	
1 PLC $\pm$ -		APPLICATION SPEC 114-137053		CAGE CODE	
2 PLC $\pm$ -		WEIGHT		DRAWING NO	
3 PLC $\pm$ -		Customer Drawing		A300779	
4 PLC $\pm$ -		SCALE 1:1		SHEET 1 OF 1	
ANGLES $\pm$ -		REV B		RESTRICTED TO	
FINISH					
MATERIAL					