

THIS DRAWING IS UNPUBLISHED.

RELEASED FOR PUBLICATION

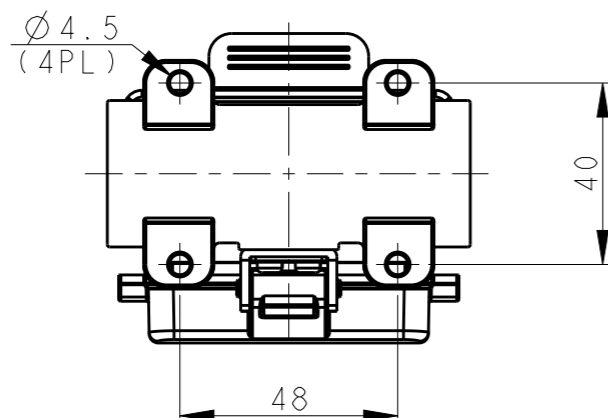
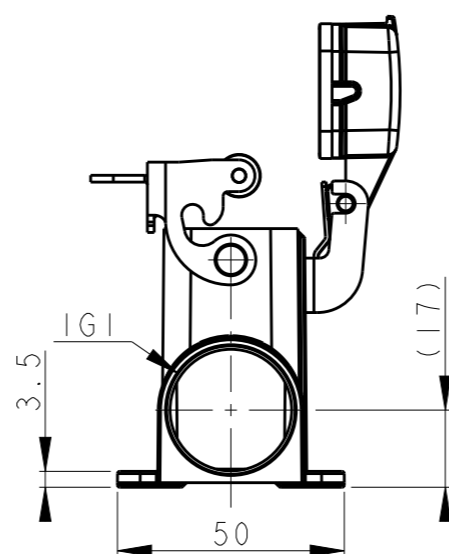
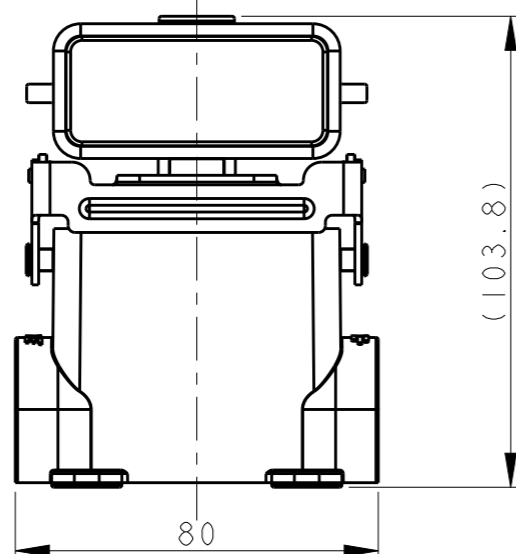
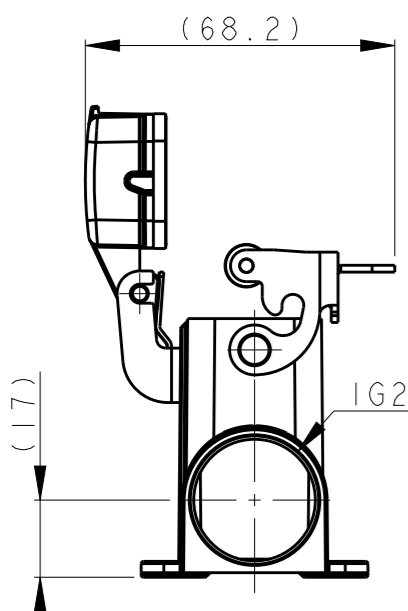
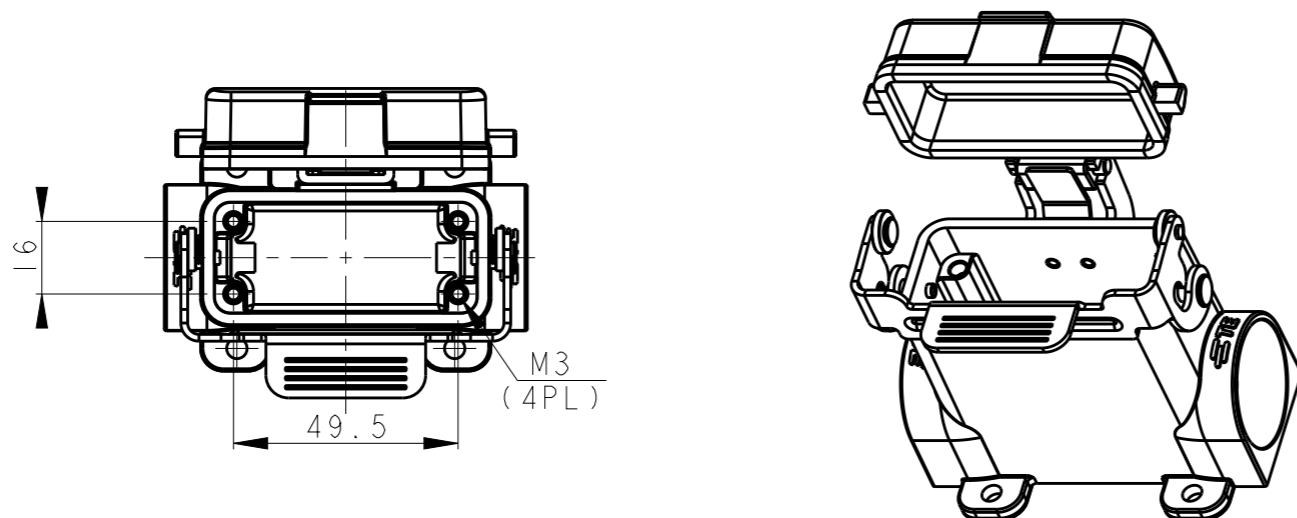
20

© COPYRIGHT 20 BY -

ALL RIGHTS RESERVED.

REVISIONS

P	LTR	DESCRIPTION	DATE	DWN	APVD
	A	INITIAL RELEASE	24APR2015	DL	CW



NOTES:

- 1. TECHNICAL CHARACTERISTICS:
 BODY MATERIAL: DIE CAST ALUMINIUM ALLOY
 SURFACE TREATMENT: POWDER-COATED, GRAY
 OPERATION TEMPERATURE: -40-+125°C
 DEGREE OF PROTECTION: IP65 (MATED)

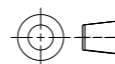
注释:

- 1. 技术参数:
 主体材料: 铝合金
 表面处理: 粉末喷涂, 灰色
 工作温度: -40-+125°C
 防护等级: IP65(配合)

T1629101116-000	H10A-SDRMS-PG16	PG16	-
T1629101120-000	H10A-SDRMS-M20	M20	-
T1629101121-000	H10A-SDRMS-PG21	PG21	-
T1629101125-000	H10A-SDRMS-M25	M25	-
T1629101216-000	H10A-SDRMS-2PG16	PG16	PG16
T1629101220-000	H10A-SDRMS-2M20	M20	M20
T1629101221-000	H10A-SDRMS-2PG21	PG21	PG21
T1629101225-000	H10A-SDRMS-2M25	M25	M25
ASSEMBLY PART NUMBER	ASSEMBLY PART DESCRIPTION	IG1	IG2

THIS DRAWING IS A CONTROLLED DOCUMENT.

DIMENSIONS:
mm



TOLERANCES UNLESS OTHERWISE SPECIFIED:

0 PLC	±-
1 PLC	±-
2 PLC	±-
3 PLC	±-
4 PLC	±-
ANGLES	±-
FINISH	-

MATERIAL

-

-

DWN 24APR2015

DAVID LI

CHK 24APR2015

CHRIS WANG

APVD 24APR2015

XU XIANG

PRODUCT SPEC

108-137010

APPLICATION SPEC

108-137010

WEIGHT

-

CUSTOMER DRAWING



TE Connectivity

NAME
H10A-SDRMS-PG/M

SIZE	CAGE CODE	DRAWING NO	RESTRICTED TO
A3	-	©-T1629101XXX000	-

SCALE	SHEET	OF	REV
3:5	1	1	A