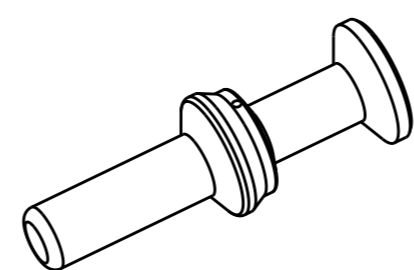
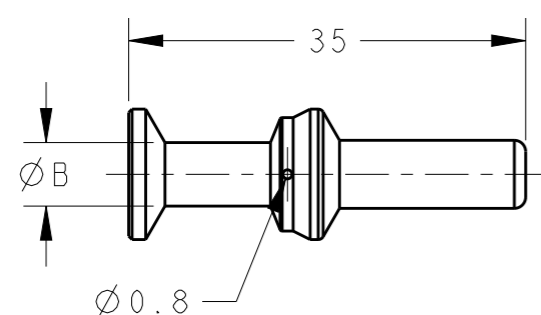


THIS DRAWING IS UNPUBLISHED. RELEASED FOR PUBLICATION 20
 © COPYRIGHT 20 BY - ALL RIGHTS RESERVED.

REVISIONS

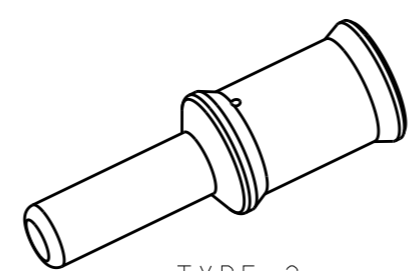
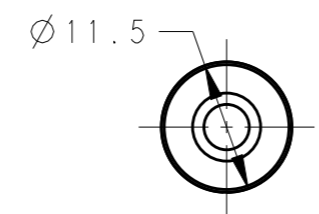
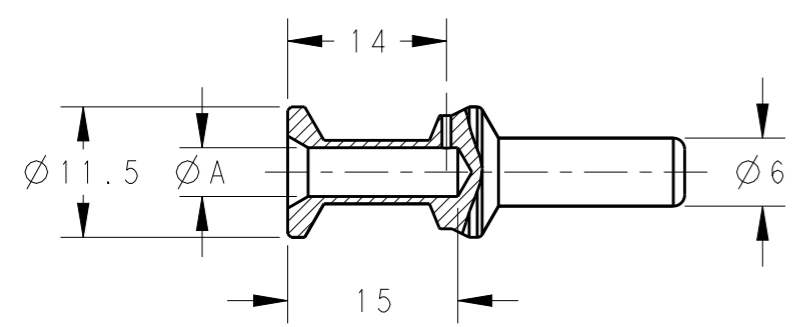
P	LTR	DESCRIPTION	DATE	DWN	APVD
	A	INITIAL	15MAY2015	DW	CW
	A1	ECR-16-015170	11JAN2017	YC	CW



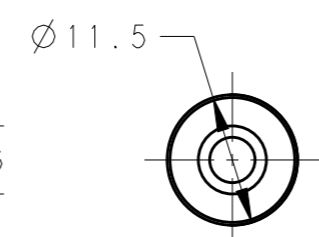
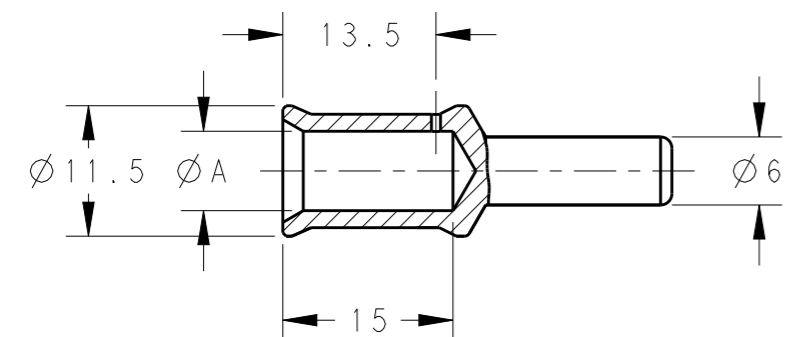
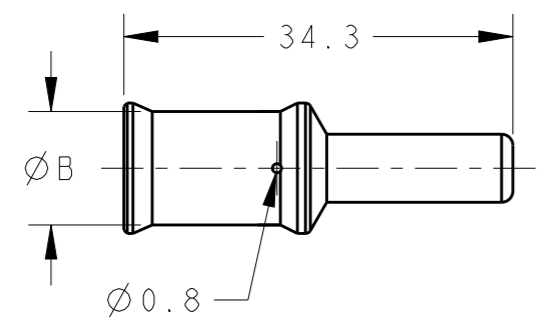
TYPE 1:
 CSM-10 T2400001100-000
 CSM-16 T2400001160-000
 类型 1:
 CSM-10 T2400001100-000
 CSM-16 T2400001160-000

NOTES:
 1. TECHNICAL CHARACTERISTICS:
 CONTACT MATERIAL: BRASS
 SURFACE PLATING:
 SILVER PLATING: $\geq 2\mu\text{m}$
 CONTACT RESISTANCE: $\leq 1.5\text{m}\Omega$
 WIRE RANGE: 10-25mm²

注释:
 1. 技术参数:
 公针材料: 黄铜
 表面电镀:
 镀银: $\geq 2\mu\text{m}$
 接触电阻: $\leq 1.5\text{m}\Omega$
 接线范围: 10-25mm²



TYPE 2:
 CSM-25 T2400001250-000
 类型 2:
 CSM-25 T2400001250-000



T2400001100-000	CSM-10	CSM-10,SILVER PLATING / SS公针 10mm ² , 镀银	4.3	5.6	10	15	TYPE 1
T2400001160-000	CSM-16	CSM-16,SILVER PLATING / SS公针 16mm ² , 镀银	5.5	8.5	16		TYPE 2
T2400001250-000	CSM-25	CSM-25,SILVER PLATING / SS公针 25mm ² , 镀银	7.0	10.0	25		
PART NUMBER 料号	PART DESCRIPTION 描述		ØA	ØB	WIRE GAUGE 线规(mm ²)	STRIPPING LENGTH(mm) 剥线长度	TYPE 类型

THIS DRAWING IS A CONTROLLED DOCUMENT.

DWN	15MAY2015	 TE Connectivity	NAME	CSM
CHK	15MAY2015			
APVD	15MAY2015			
	XIANG XU			
PRODUCT SPEC		108-137059		
APPLICATION SPEC		114-137059		
WEIGHT		-		
CUSTOMER DRAWING		SCALE	SHEET	REV
		3:2	1 OF 1	A1

DIMENSIONS:	TOLERANCES UNLESS OTHERWISE SPECIFIED:
mm	
	0 PLC ±-
	1 PLC ±-
	2 PLC ±-
	3 PLC ±-
	4 PLC ±-
	ANGLES ±-
MATERIAL	FINISH
-	-
-	-