

4

3

2

1

THIS DRAWING IS UNPUBLISHED.

RELEASED FOR PUBLICATION

20

© COPYRIGHT 20 BY -

ALL RIGHTS RESERVED.

REVISIONS

P	LTR	DESCRIPTION	DATE	DWN	APVD
	A	INITIAL	28FEB2015	DW	CW
	A1	ECR-16-000601	14JAN2016	DW	CW
	A2	ECR-16-017508	10DEC2016	RL	CW

NOTES:

1. TECHNICAL CHARACTERISTICS:
 FRAME MATERIAL: DIE CAST ZINC ALLOY
 NUMBER OF MODULES: 3
 SURFACE: ZINC PLATED
 MATING CYCLES: 500 CYCLES

注释:

1. 技术参数:
 框架材料: 锌合金
 模块数量: 3
 表面处理: 镀锌
 插拔次数: 500次

4X M3 SCREW
 RECOMMENDED TIGHTENING
 TORQUE 0.5Nm
 4X M3 螺丝推荐锁紧力矩为0.5Nm

2X M4 SCREW, RECOMMENDED
 TIGHTENING TORQUE 1.2Nm
 2X M4 螺丝, 推荐锁紧力矩为1.2Nm

T2070104001-000 SHOWN ABOVE
 WITHOUT MARK
 T2070104001-000, 不带标记

PANEL CUT FOR FRAME USE
 WITHOUT HOODS/ HOUSINGS

T2070104001-000	H10BN-T3	H10BN MODULE FRAME H10BN模块框架
T2070104101-000	H10BN-T3-M	H10BN MALE MODULE FRAME H10BN模块公框架
T2070104201-000	H10BN-T3-F	H10BN FEMALE MODULE FRAME H10BN模块母框架

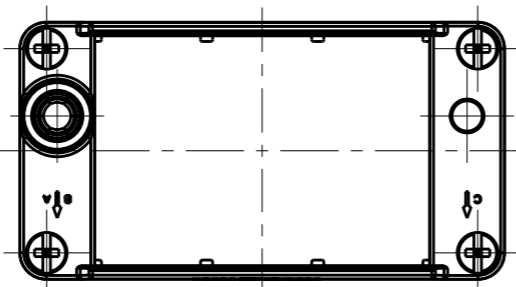
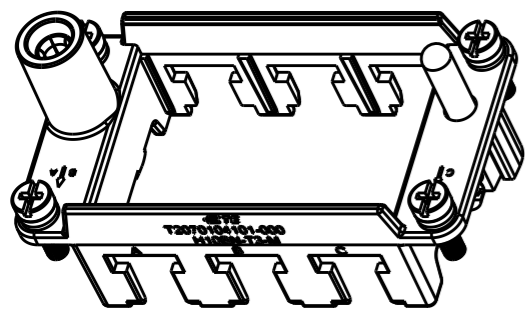
PART NUMBER 料号	PART DESCRIPTION 描述
-------------------	------------------------

THIS DRAWING IS A CONTROLLED DOCUMENT.		DWN 28FEB2015 DAVID WANG	TE Connectivity			
DIMENSIONS: mm		CHK 28FEB2015 CHRIS WANG			NAME H10BN-T3	
TOLERANCES UNLESS OTHERWISE SPECIFIED:		APVD 28FEB2015 XIANG XU				
0 PLC ±- 1 PLC ±- 2 PLC ±- 3 PLC ±- 4 PLC ±- ANGLES ±-		PRODUCT SPEC 108-137057				
MATERIAL		APPLICATION SPEC 114-137057	SIZE A3	CAGE CODE 00779	DRAWING NO T2070104001000	RESTRICTED TO -
FINISH		WEIGHT -	SCALE 1:1		SHEET 1 OF 2	REV A2
-		Customer Drawing				

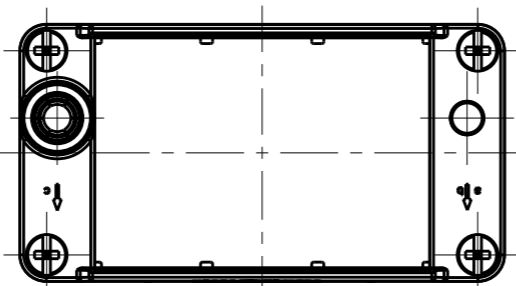
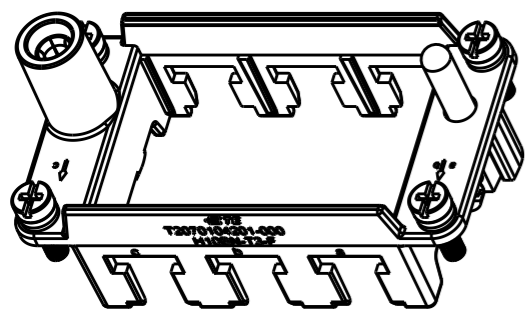
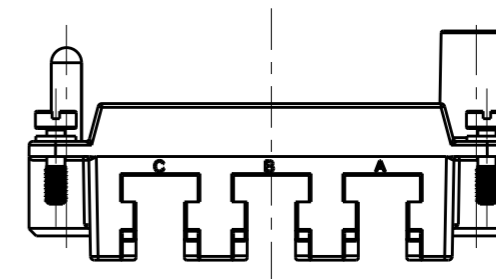
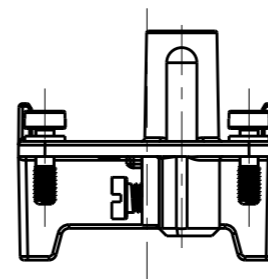
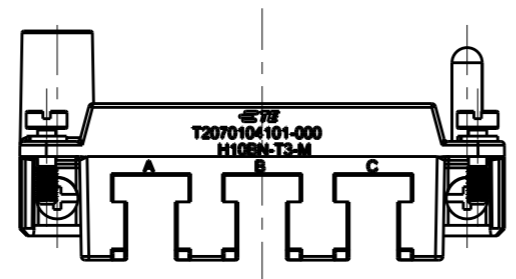
1470-19 (3/13)

REVISIONS

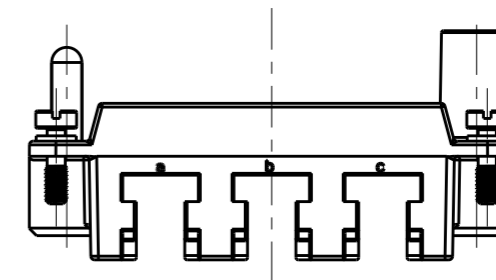
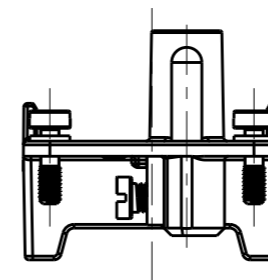
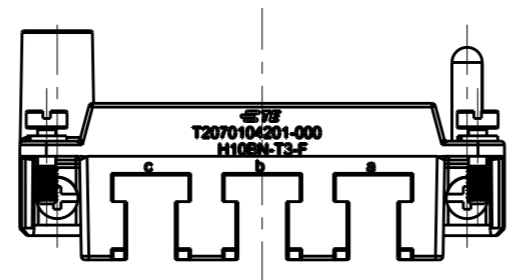
P	LTR	DESCRIPTION	DATE	DWN	APVD
-	-	SEE SHEET 1	-	-	-



T2070104101-000, H10BN-T3-M SHOWN
 WITH MARK, ALL DIMENSIONS THE SAME TO T2070104001-000
 T2070104101-000, H10BN-T3-M, 带标记, 所有尺寸同T2070104001-000一样



T2070104201-000, H10BN-T3-F SHOWN
 WITH MARK, ALL DIMENSIONS THE SAME TO T2070104001-000
 T2070104201-000, H10BN-T3-F, 带标记, 所有尺寸同T2070104001-000一样



THIS DRAWING IS A CONTROLLED DOCUMENT.

DIMENSIONS:	TOLERANCES UNLESS OTHERWISE SPECIFIED:
mm	0 PLC ±-
	1 PLC ±-
	2 PLC ±-
	3 PLC ±-
	4 PLC ±-
	ANGLES ±-
MATERIAL	FINISH
-	-
-	-

DWN	28FEB2015
DAVID WANG	
CHK	28FEB2015
CHRIS WANG	
APVD	28FEB2015
XIANG XU	
PRODUCT SPEC	108-137057
APPLICATION SPEC	114-137057
WEIGHT	-
Customer Drawing	

		NAME		RESTRICTED TO
		H10BN-T3		
SIZE	CAGE CODE	DRAWING NO	RESTRICTED TO	
A3	00779	©-T2070104001000	-	
SCALE		SHEET	OF	REV
1:1		2	2	A2