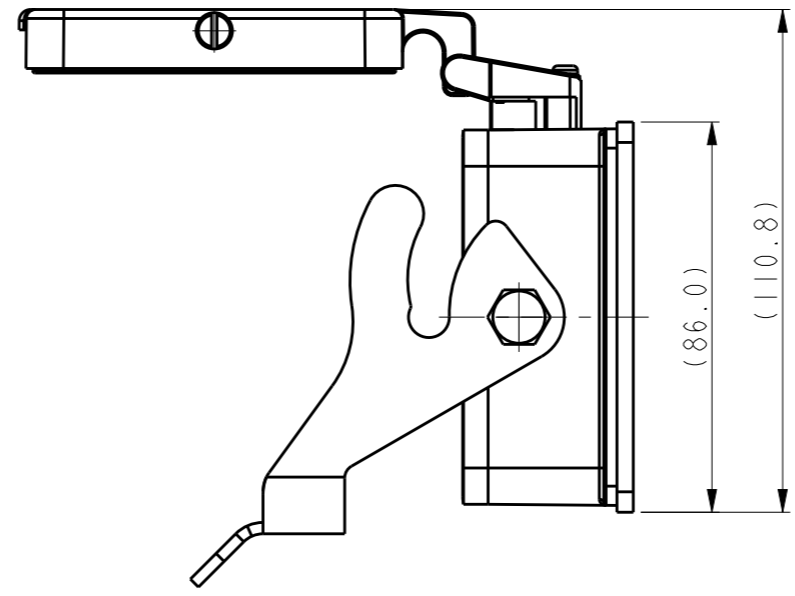
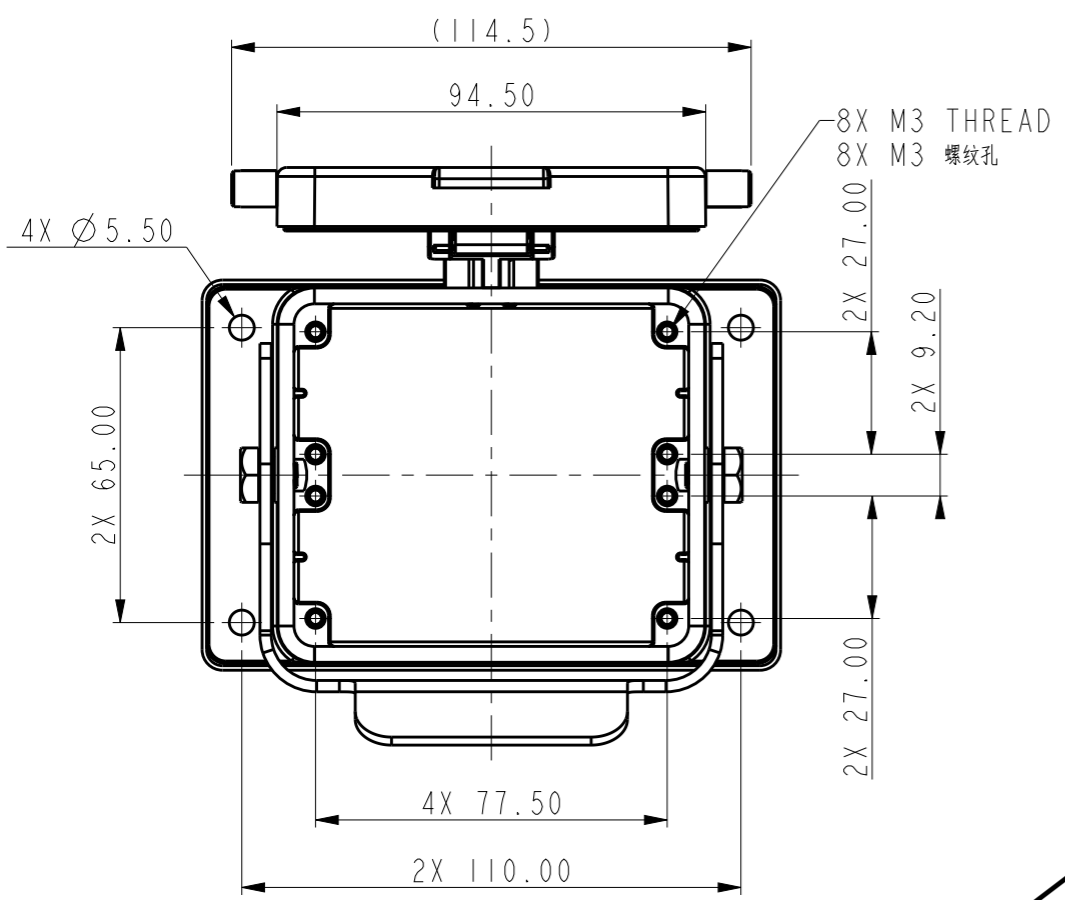


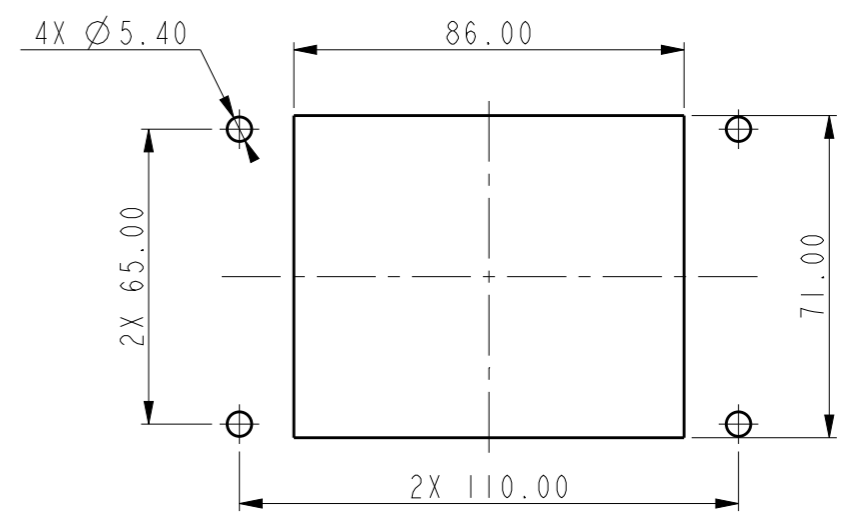
THIS DRAWING IS UNPUBLISHED. RELEASED FOR PUBLICATION 20  
 © COPYRIGHT 20 BY - ALL RIGHTS RESERVED.

REVISIONS					
P	LTR	DESCRIPTION	DATE	DWN	APVD
	A	INITIAL RELEASE	03JUN2015	DL	CW
	A1	ECR-17-017115	30NOV2017	CH	CW

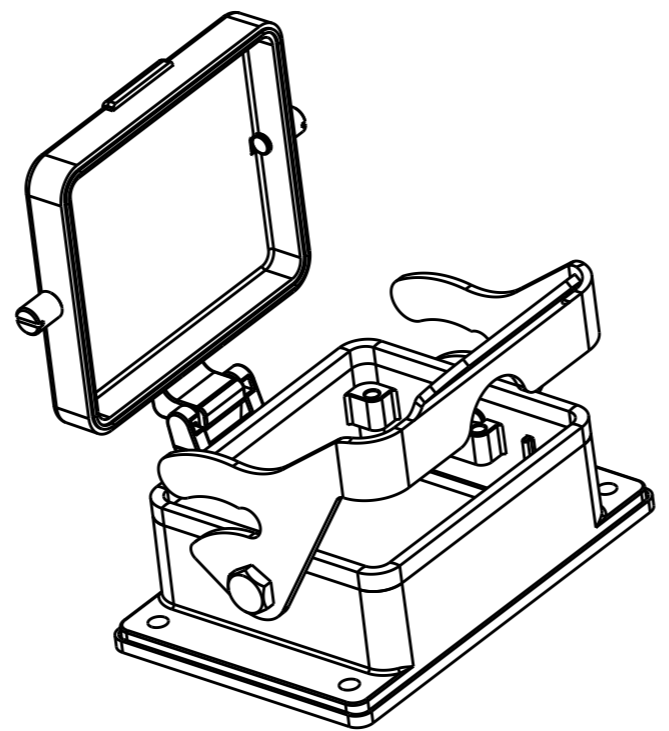


NOTES:  
 1. TECHNICAL CHARACTERISTICS:  
 BODY MATERIAL: DIE CAST ALUMINIUM ALLOY  
 SURFACE TREATMENT: POWDER COATED, GREY  
 DEGREE OF PROTECTION: IP65 (MATED)

注释:  
 1. 技术参数:  
 主体材料: 铝合金  
 表面处理: 灰色粉末喷涂  
 防护等级: IP65(配合)

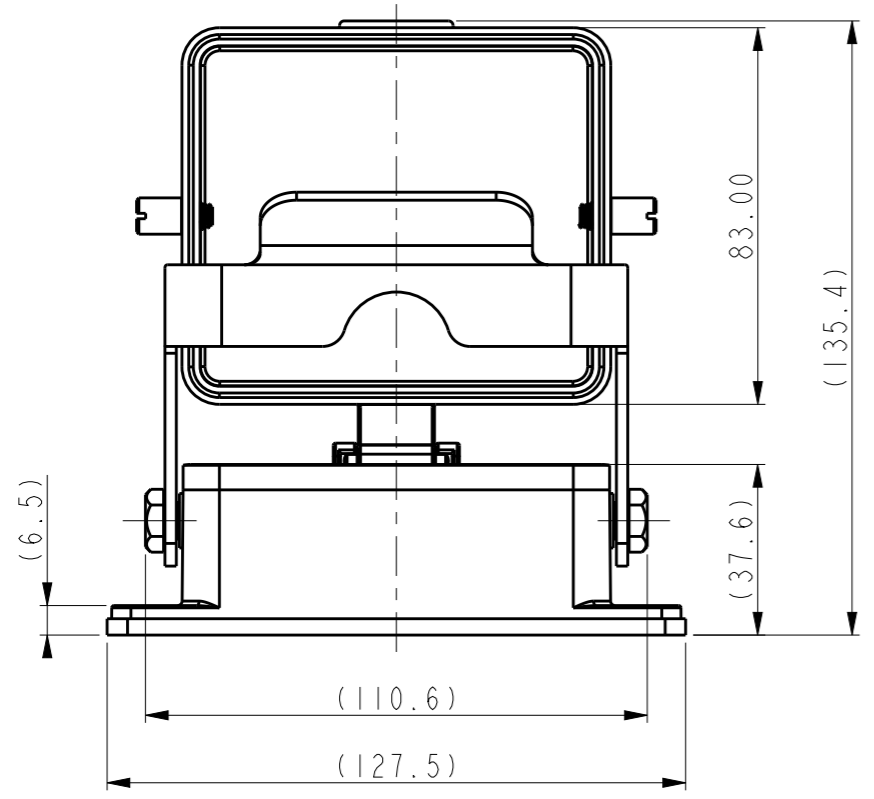



开孔安装示意图  
 PANNEL CUT OUT



SCALE 1:2

T1510322000-000	H32B-AD-LB	H32B HOUSING, BULKHEAD MOUNTED, STAINLESS STEEL SINGLE LOCKING, PLASTIC PROTECTION COVER, POWDER COATED, GREY H32B下壳, 开孔安装, 不锈钢单扣, 带塑料保护盖, 灰色粉末喷涂
PART NUMBER 料号	PART DESCRIPTION 描述	



THIS DRAWING IS A CONTROLLED DOCUMENT.		DWN 03JUN2015 DAVID.LI	 TE Connectivity
DIMENSIONS: mm		CHK 03JUN2015 CHRIS.WANG	
TOLERANCES UNLESS OTHERWISE SPECIFIED:		APVD 03JUN2015 XU.XIANG	
0 PLC ±- 1 PLC ±- 2 PLC ±- 3 PLC ±- 4 PLC ±- ANGLES ±-		NAME H32B-AD-LB	
MATERIAL		PRODUCT SPEC 108-137013	SIZE A3
		APPLICATION SPEC 114-137013	CAGE CODE -
		WEIGHT -	DRAWING NO C-T1510322000000
		CUSTOMER DRAWING	RESTRICTED TO -
		SCALE 3:5	SHEET 1 OF 1
			REV A1