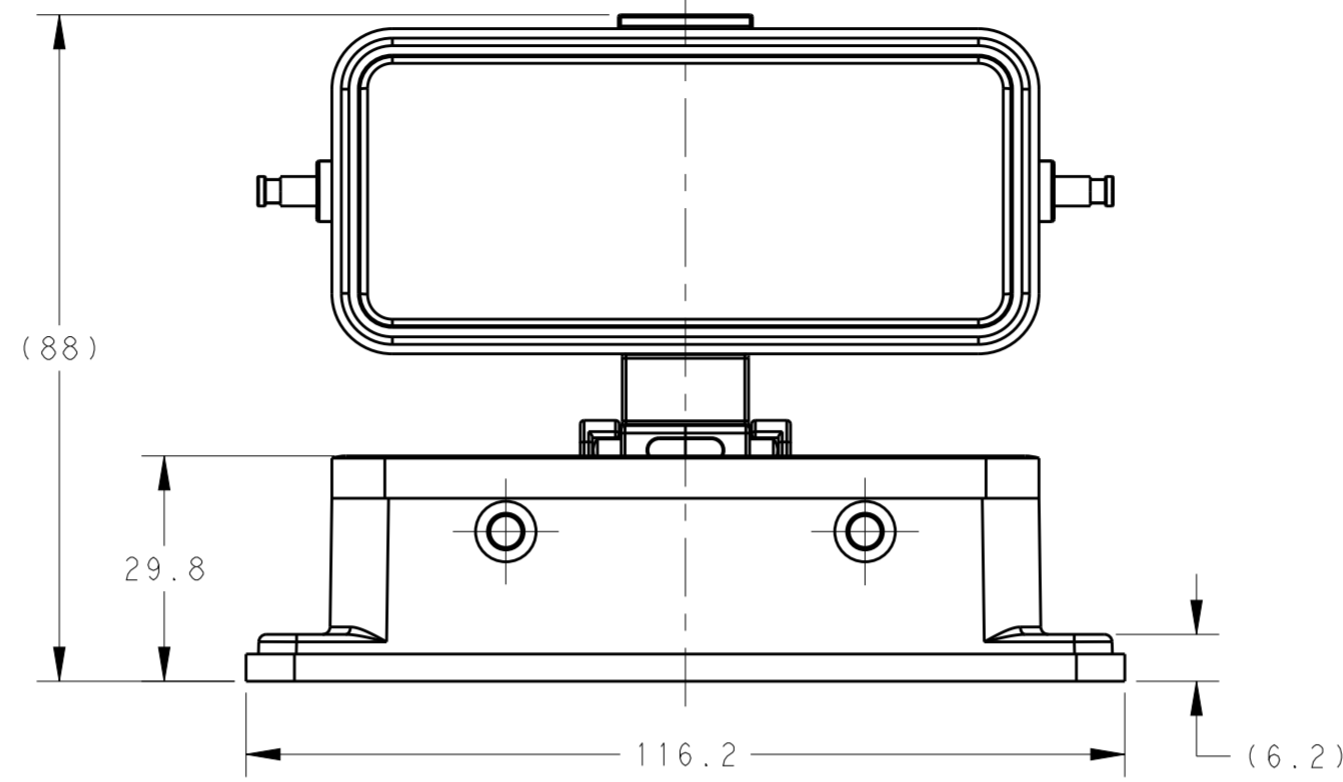
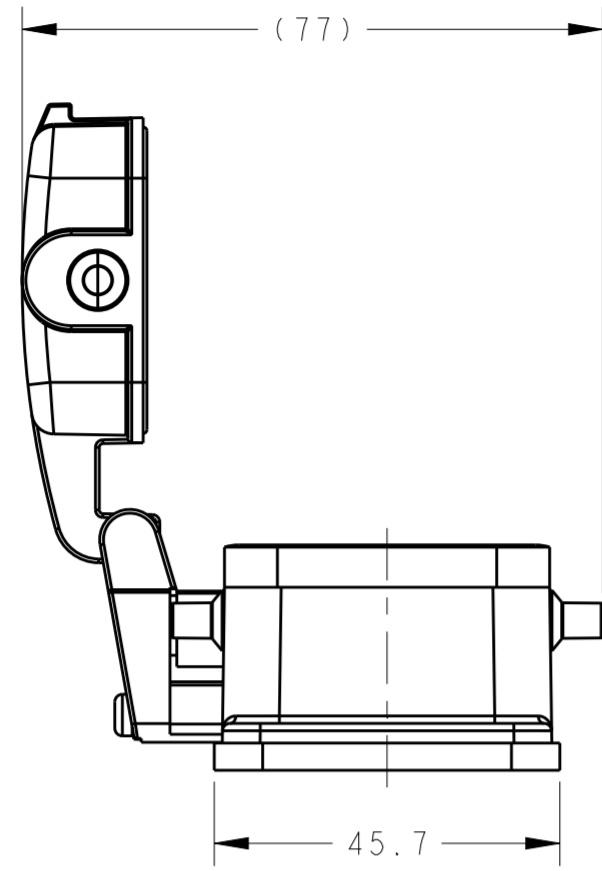


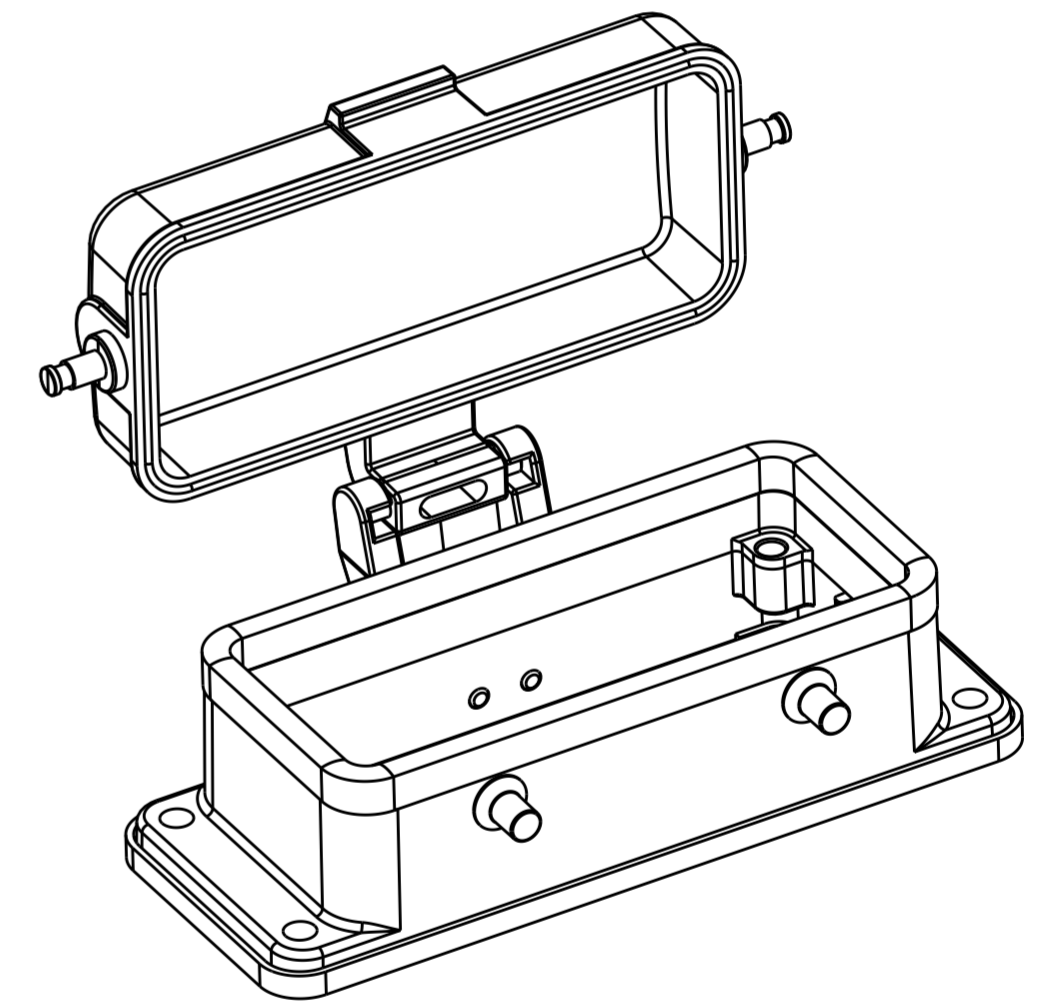
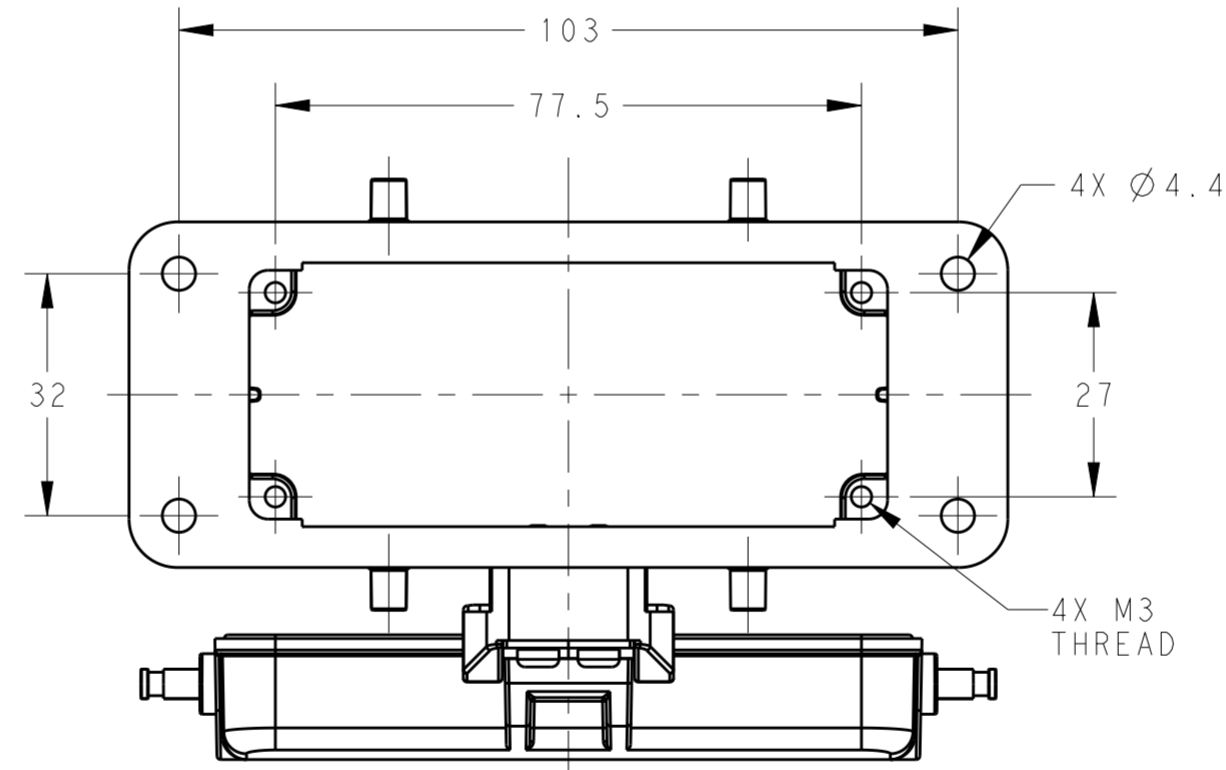
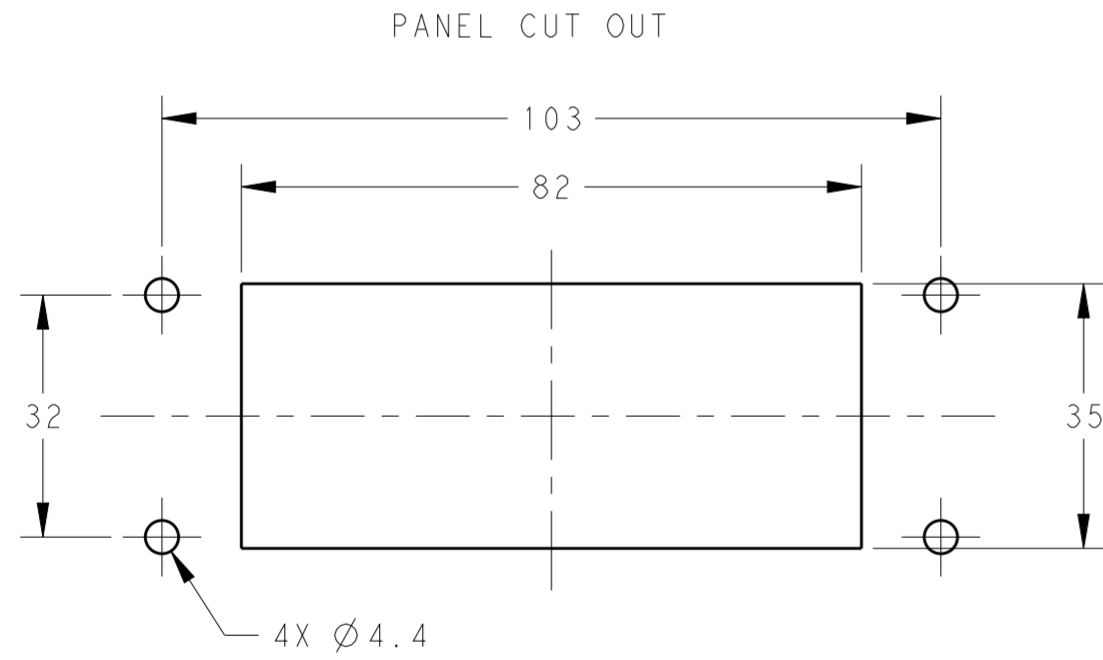
THIS DRAWING IS UNPUBLISHED. RELEASED FOR PUBLICATION 20
 © COPYRIGHT 20 BY - ALL RIGHTS RESERVED.

REVISIONS					
P	LTR	DESCRIPTION	DATE	DWN	APVD
	A	INITIAL	18JUN2015	DW	CW



NOTES:
 1. TECHNICAL CHARACTERISTICS:
 HOUSING MATERIAL: DIE CAST ALUMINIUM ALLOY
 SURFACE: POWDER COATED, GREY
 OPERATION TEMPERATURE: -40-+125°C
 DEGREE OF PROTECTION: IP65 (MATED)

注释:
 1. 技术参数:
 外壳材料: 铝合金
 表面处理: 粉末涂层, 灰色
 工作温度: -40-+125°C
 防护等级: IP65(配合)



T1433160000-000	H16B-ADM-BO	RED
T1430161000-000	H16B-ADM-BO	GREY
PART NUMBER	DESCRIPTION	COLOR

THIS DRAWING IS A CONTROLLED DOCUMENT.		DWN 05JUN2015 David Wang		TE Connectivity	
DIMENSIONS:		CHK 05JUN2015 Chris Wang <td colspan="2">NAME H16B-ADM-BO</td>		NAME H16B-ADM-BO	
TOLERANCES UNLESS OTHERWISE SPECIFIED:		APVD 05JUN2015 Xiang Xu <td colspan="2">PRODUCT SPEC</td>		PRODUCT SPEC	
mm		108-137013		APPLICATION SPEC	
0 PLC ±		114-137013		RESTRICTED TO	
1 PLC ±		WEIGHT -		SIZE A2	
2 PLC ±		Customer Drawing		CAGE CODE 00779	
3 PLC ±		SCALE 1:1		DRAWING NO T143X16X000000	
4 PLC ±		SHEET 1 OF 1		REV A	
ANGLES ±		REV A		REV A	
FINISH -		REV A		REV A	
FINISH -		REV A		REV A	