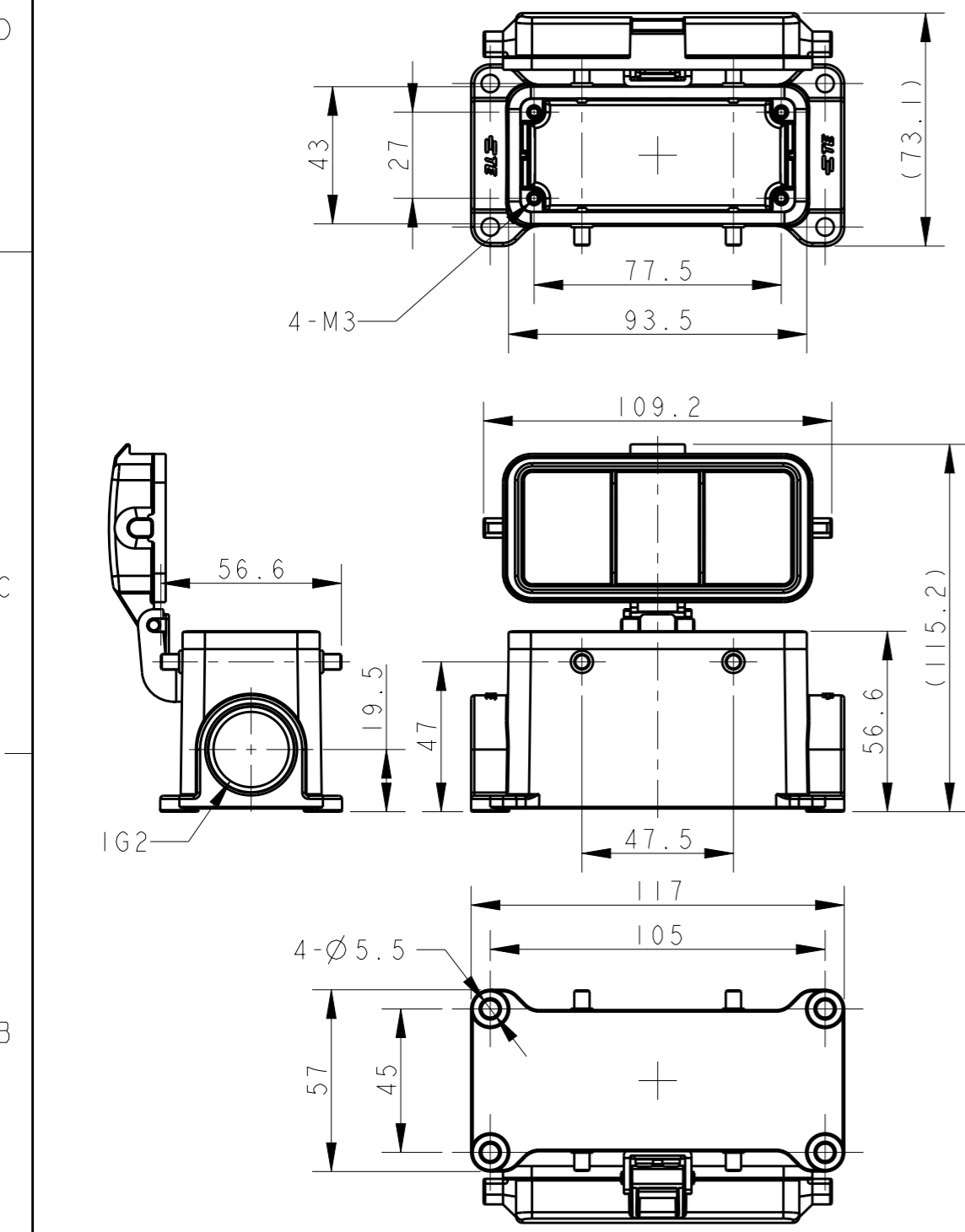
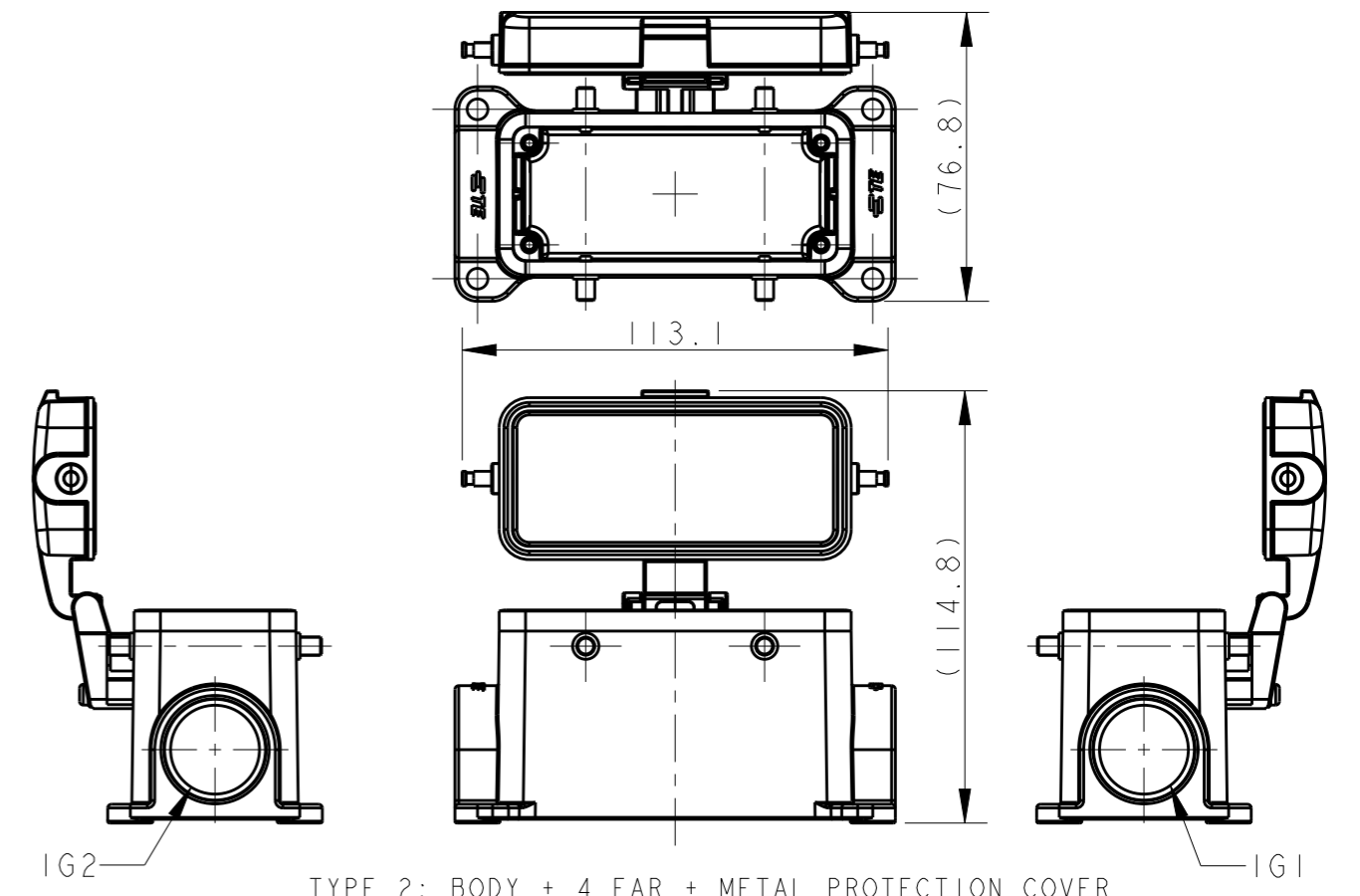


THIS DRAWING IS UNPUBLISHED. RELEASED FOR PUBLICATION 20
 © COPYRIGHT 20 BY - ALL RIGHTS RESERVED.

REVISIONS					
P	LTR	DESCRIPTION	DATE	DWN	APVD
	A	INITIAL RELEASE	06JUL2015	DL	CW



TYPE 1: BODY + 4 EAR + PLASTIC PROTECTION COVER



TYPE 2: BODY + 4 EAR + METAL PROTECTION COVER
 OTHER SPEC REFER TO TYPE 1

NOTES:
 1. TECHNICAL CHARACTERISTICS:
 BODY MATERIAL: DIE CAST ALUMINIUM ALLOY
 SURFACE TREATMENT: POWDER-COATED, GRAY
 OPERATION TEMPERATURE: -40-+125°C
 DEGREE OF PROTECTION: IP65 (MATED)

注释:
 1. 技术参数:
 主体材料: 铝合金
 表面处理: 粉末喷涂, 灰色
 工作温度: -40-+125°C
 防护等级: IP65(配合)

T1460160121-000	TYPE 1	H16B-SDR-BO-PG21	PG21	-
T1460160125-000		H16B-SDR-BO-M25	M25	-
T1460160221-000		H16B-SDR-BO-2PG21	PG21	PG21
T1460160225-000		H16B-SDR-BO-2M25	M25	M25
T1460161121-000	TYPE 2	H16B-SDRM-BO-PG21	PG21	-
T1460161125-000		H16B-SDRM-BO-M25	M25	-
T1460161221-000		H16B-SDRM-BO-2PG21	PG21	PG21
T1460161225-000		H16B-SDRM-BO-2M25	M25	M25
ASSEMBLY PART NUMBER	TYPE	ASSEMBLY PART DESCRIPTION	IG1	IG2

THIS DRAWING IS A CONTROLLED DOCUMENT.		DWN 06JUL2015 DAVID LI	TE Connectivity NAME H16B-SDR/SDRM-BO-PG/M	
DIMENSIONS: mm		CHK 06JUL2015 CHRIS WANG		
TOLERANCES UNLESS OTHERWISE SPECIFIED:		APVD 06JUL2015 XU XIANG		
0 PLC ±- 1 PLC ±- 2 PLC ±- 3 PLC ±- 4 PLC ±- ANGLES ±-		PRODUCT SPEC 108-137013		
MATERIAL TBD	FINISH -	APPLICATION SPEC 114-137013	WEIGHT -	SIZE A3
CUSTOMER DRAWING		SCALE 1:2	SHEET 1 OF 1	REV A