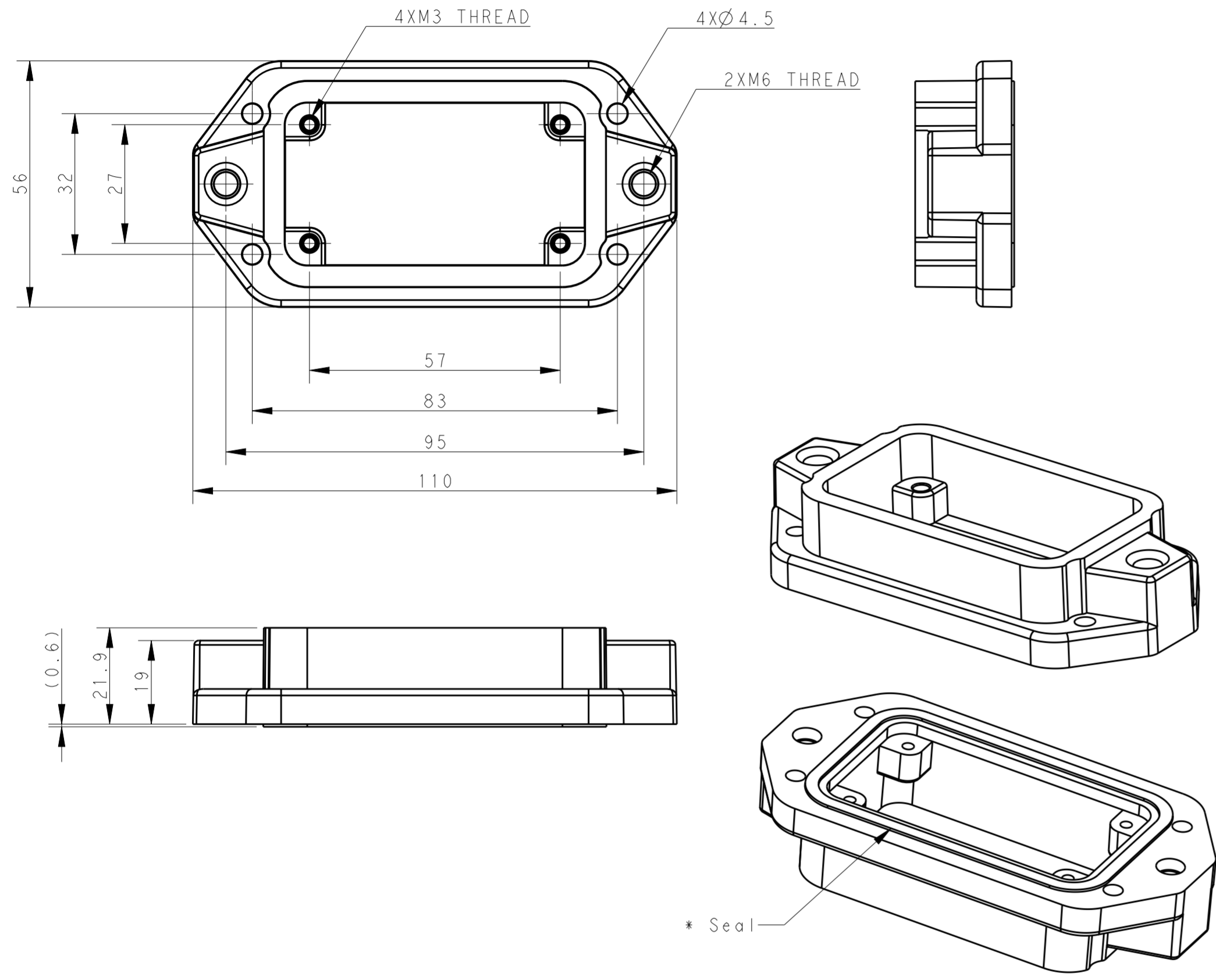


THIS DRAWING IS UNPUBLISHED. RELEASED FOR PUBLICATION 20  
 © COPYRIGHT 20 BY - ALL RIGHTS RESERVED.

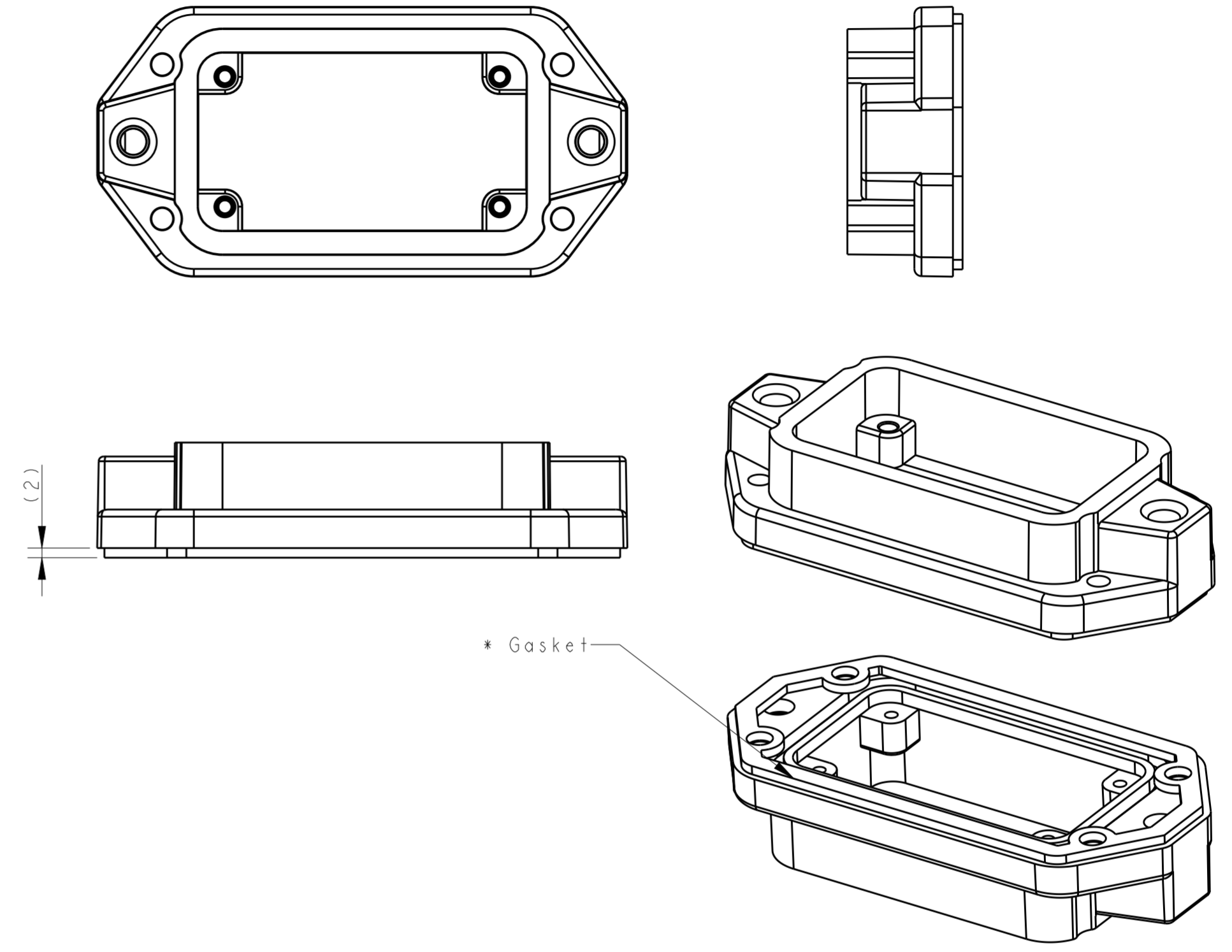
TYPE 1  
 类型1

Housing assemble with seal  
 带密封圈下壳



TYPE 2  
 类型2

Housing assemble with gasket  
 带密封垫下壳

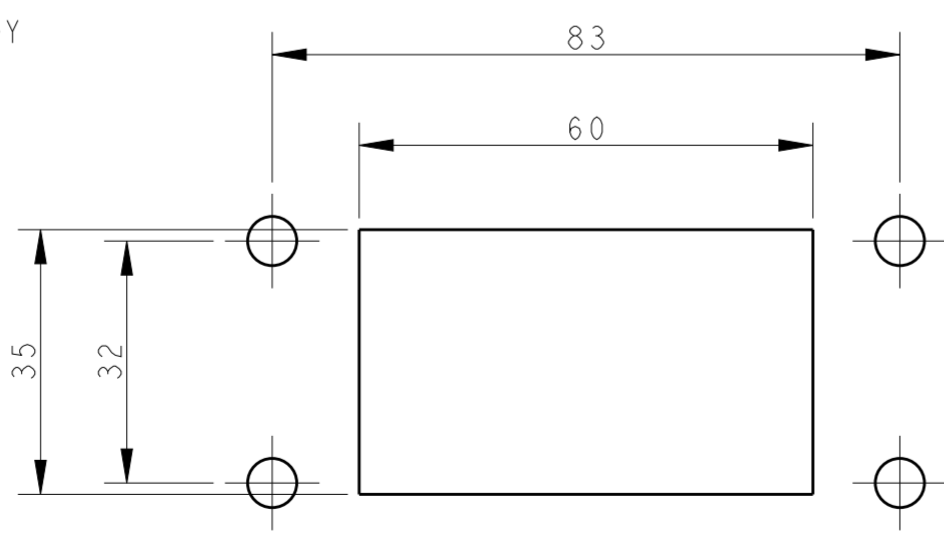


REVISIONS					
P	LTR	DESCRIPTION	DATE	DWN	APVD
A		INITIAL RELEASE	10JUN2015	GY	CW
A1		ECR-18-009564	22SEP2018	CD	CW

All dimension is same as TYPE 1, except those defined in this TYPE  
 除了在本类型中定义的尺寸外, 其他尺寸同类型1

NOTES:  
 1. TECHNICAL CHARACTERISTICS:  
 HOUSING MATERIAL: DIE CAST ALUMINIUM ALLOY  
 SURFACE TREATMENT: SEE TABLE  
 DEGREE OF PROTECTION: IP68 (MATED)

注释  
 1. 技术参数:  
 壳体材料: 铝合金  
 表面处理: 见表格  
 防护等级: IP68 (配合)



Panel Cut Out

PART NUMBER 料号	SURFACE TREATMENT 表面处理	PART DESCRIPTION 描述	TYPE 类型
T1932101001-000	POWDER COATED, SILVER WHITE 表面喷涂, 银白色	H10BPR-AGC H10BPR HOUSING, CENTER LOCKING, BULKHEAD MOUNTED, POWDER COATED, SILVER WHITE, SEAL FIXED BY GLUE H10BPR下壳, 中脚锁定, 开孔安装, 银白色粉末喷涂, 密封胶	TYPE2 类型2
T1932102000-100	POWDER COATED, DEEP GREY 表面喷涂, 深灰色	H10BPR-AGC H10BPR HOUSING, CENTER LOCKING, BULKHEAD MOUNTED, POWDER COATED, DEEP GREY H10BPR下壳, 中脚锁定, 开孔安装, 深灰色粉末喷涂	TYPE1 类型1
T1932102000-000	POWDER COATED, GREY 表面喷涂, 灰色	H10BPR-AGC H10BPR HOUSING, CENTER LOCKING, BULKHEAD MOUNTED, POWDER COATED, GREY H10BPR下壳, 中脚锁定, 开孔安装, 灰色粉末喷涂	
T1932101000-000	POWDER COATED, SILVER WHITE 表面喷涂, 银白色	H10BPR-AGC H10BPR HOUSING, CENTER LOCKING, BULKHEAD MOUNTED, POWDER COATED, SILVER WHITE H10BPR下壳, 中脚锁定, 开孔安装, 银白色粉末喷涂	TYPE1 类型1
T1932100000-000	POWDER COATED, BLACK 表面喷涂, 黑色	H10BPR-AGC H10BPR HOUSING, CENTER LOCKING, BULKHEAD MOUNTED, POWDER COATED, BLACK H10BPR下壳, 中脚锁定, 开孔安装, 黑色粉末喷涂	

THIS DRAWING IS A CONTROLLED DOCUMENT.

DIMENSIONS: mm	TOLERANCES UNLESS OTHERWISE SPECIFIED: 0 PLC ± 1 PLC ± 2 PLC ± 3 PLC ± 4 PLC ± ANGLES ± FINISH	DWN 10JUN2015 Gino Yao CHK 10JUN2015 Chris Wang APVD 10JUN2015 Xiang Xu PRODUCT SPEC 108-137014 APPLICATION SPEC 114-137014 WEIGHT - Customer Drawing	TE Connectivity NAME H10BPR-AGC SIZE A2 CAGE CODE - DRAWING NO. C-T193210XXXXX00 RESTRICTED TO - SCALE 1:1 SHEET 1 OF 1 REV A1
-------------------	---	--	---