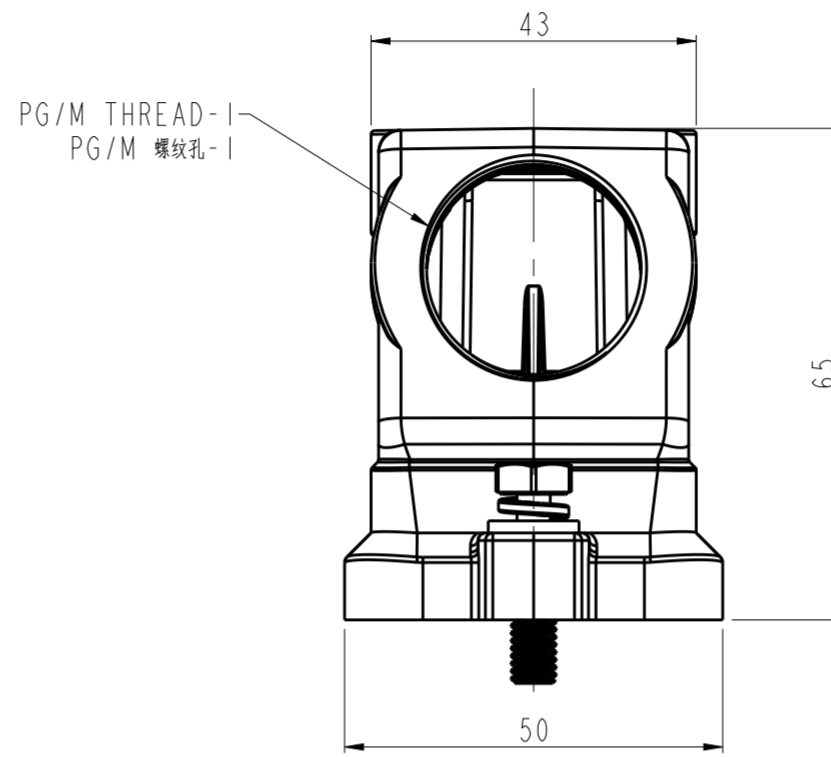
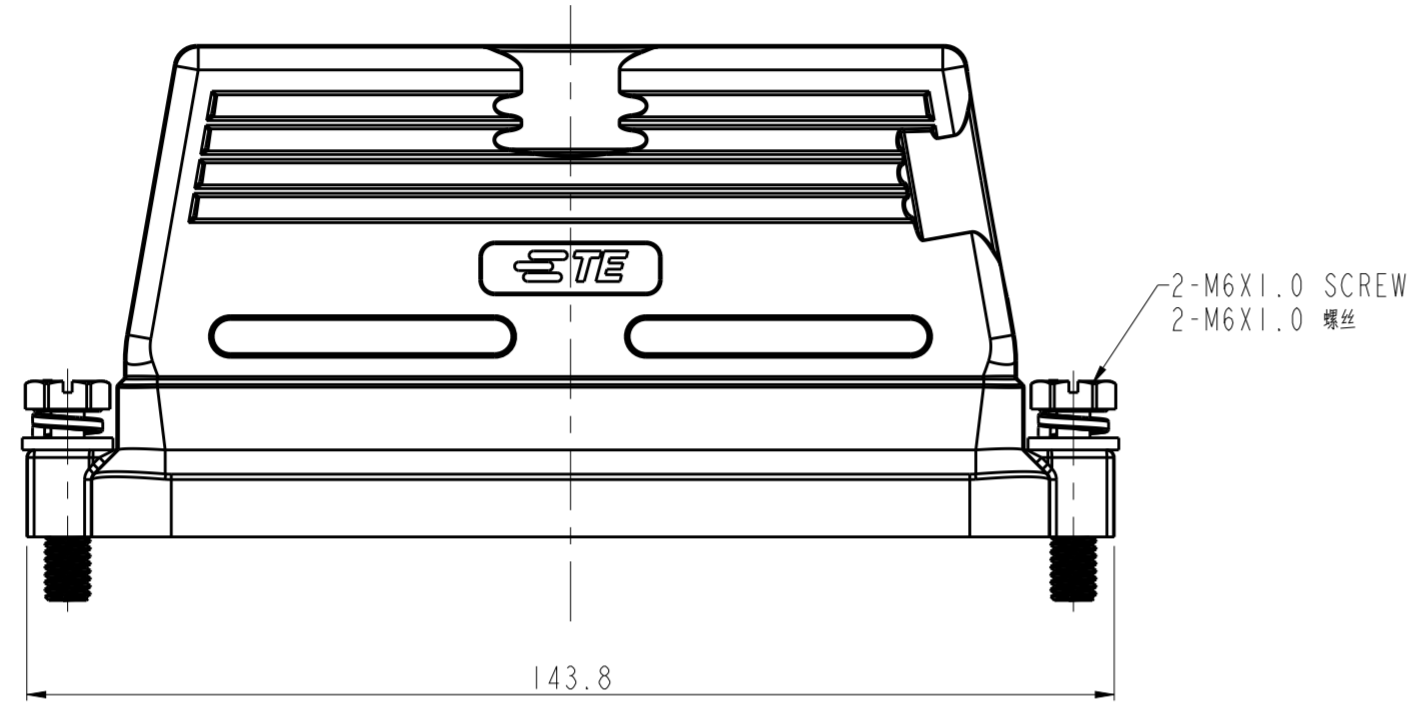


THIS DRAWING IS UNPUBLISHED. RELEASED FOR PUBLICATION 20  
 © COPYRIGHT 20 BY - ALL RIGHTS RESERVED.

| REVISIONS |     |               |           |     |      |
|-----------|-----|---------------|-----------|-----|------|
| P         | LTR | DESCRIPTION   | DATE      | DWN | APVD |
| A         |     | INITIAL       | 27FEB2017 | QY  | CW   |
| AI        |     | ECR-18-003490 | 14MAR2018 | TF  | CW   |

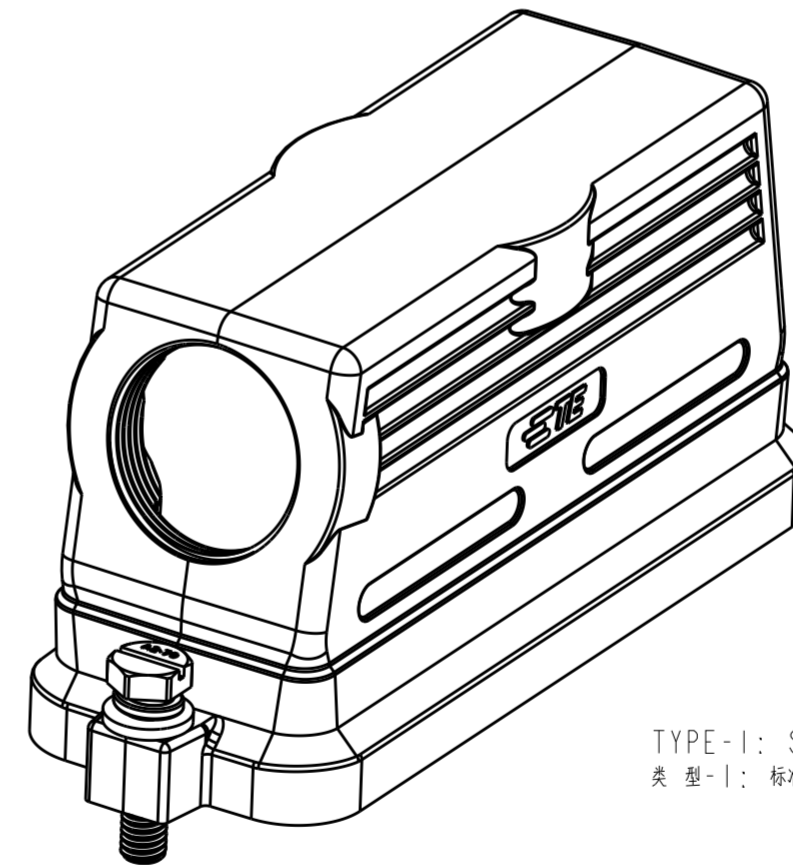
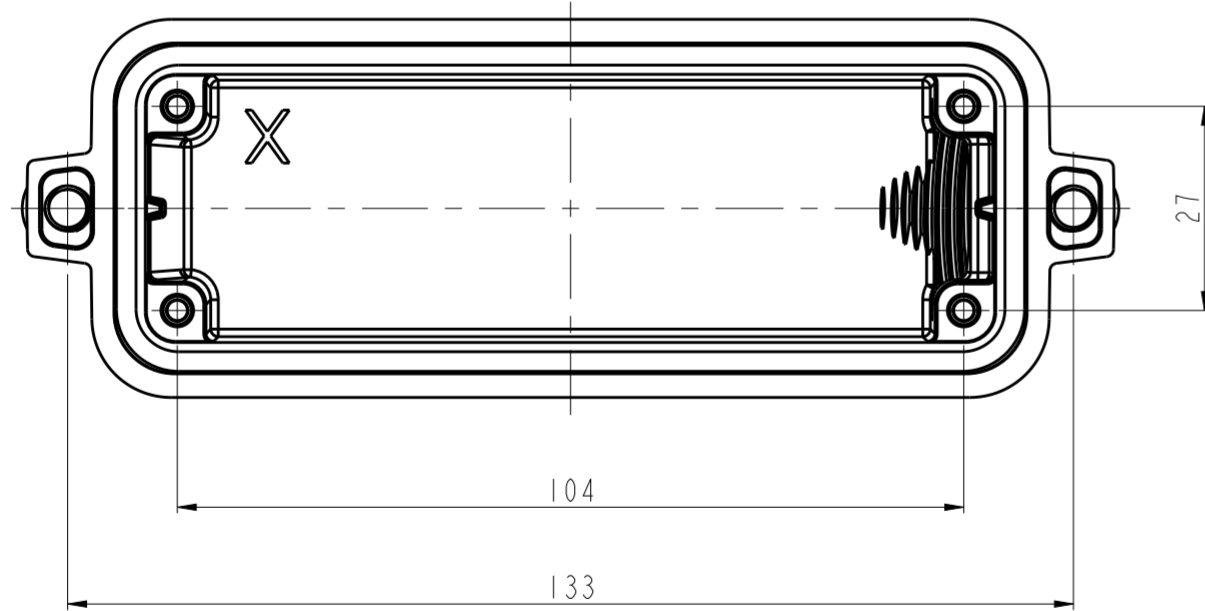


NOTES:

1. TECHNICAL CHARACTERISTICS:  
 HOOD MATERIAL: DIE CAST ALUMINIUM ALLOY  
 SURFACE: POWDER COATED  
 DEGREE OF PROTECTION: IP67 (MATED)

注释:

1. 技术参数:  
 上壳材料: 铝合金  
 表面处理: 粉末喷涂  
 防护等级: IP67(配合)



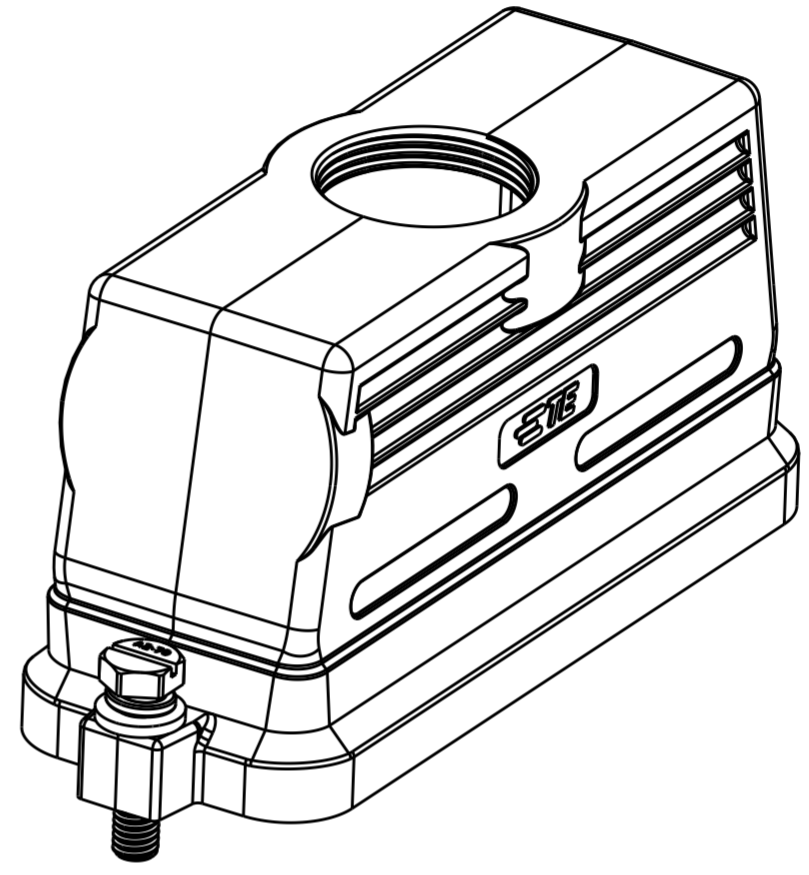
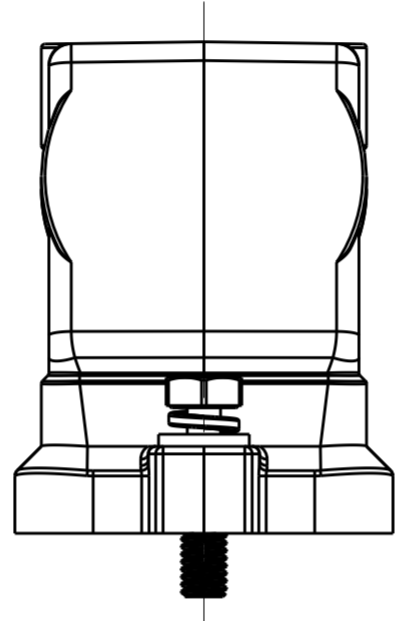
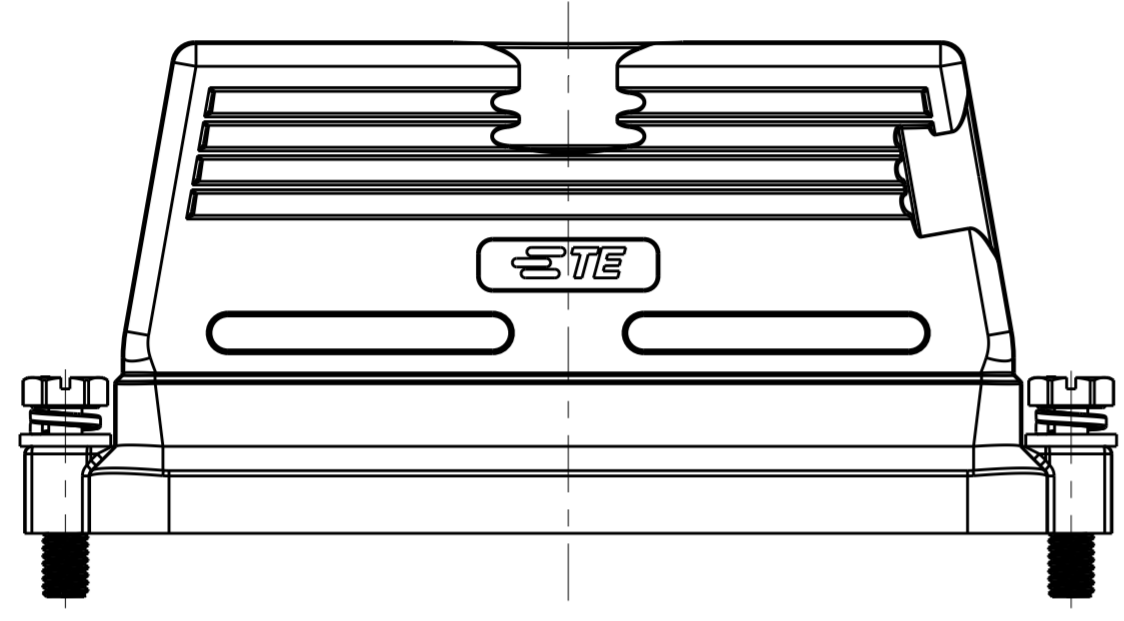
TYPE-1: STANDARD SIDE ENTRY  
 类型-1: 标准侧出

|   |  |                                 |                              |                                |
|---|--|---------------------------------|------------------------------|--------------------------------|
| THIS DRAWING IS A CONTROLLED DOCUMENT.                                    |  | DWN<br>QIANG YUAN<br>27FEB2017  | <b>STE</b> TE Connectivity   |                                |
| DIMENSIONS:<br>mm   |  | CHK<br>KYLE ZENG<br>27FEB2017   |                              |                                |
| TOLERANCES UNLESS OTHERWISE SPECIFIED:                                    |  | APVD<br>CHRIS WANG<br>27FEB2017 | NAME<br>H24BK-TSHC/TGHC-PG/M |                                |
| 0 PLC ±<br>1 PLC ±<br>2 PLC ±<br>3 PLC ±<br>4 PLC ±<br>ANGLES ±<br>FINISH |  | PRODUCT SPEC<br>108-137276      | SIZE<br>A2                   |                                |
| MATERIAL<br>-   |  | APPLICATION SPEC<br>114-137276  | CAGE CODE<br>00779           | DRAWING NO<br>G-T18X224XXXX000 |
|   |  | WEIGHT<br>-                     | RESTRICTED TO                |                                |
|   |  | CUSTOMER DRAWING                | SCALE<br>5:1                 | SHEET<br>1 OF 3                |
|   |  |                                 | REV<br>A1                    |                                |

THIS DRAWING IS UNPUBLISHED. RELEASED FOR PUBLICATION 20  
 © COPYRIGHT 20 BY - ALL RIGHTS RESERVED.

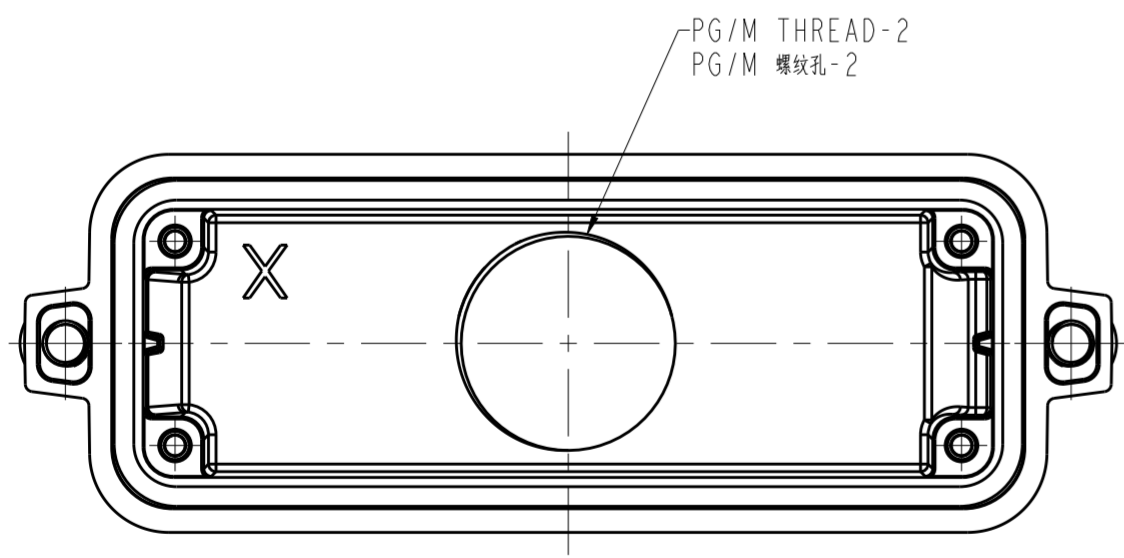
| REVISIONS |     |             |      |     |      |
|-----------|-----|-------------|------|-----|------|
| P         | LTR | DESCRIPTION | DATE | DWN | APVD |
| -         |     | SEE SHEET 1 | -    | -   | -    |
|           |     |             |      |     |      |
|           |     |             |      |     |      |

NOTES:  
 SEE SHEET 1  
 注释:  
 见页 1



ALL DIMENSIONS ARE SAME AS TYPE 1,  
 EXCEPT THOSE DEFINED IN THIS TYPE.  
 除了在本类型中定义的尺寸外,其它尺寸同类型1

TYPE-2: STANDARD TOP ENTRY  
 类型-2: 标准顶出

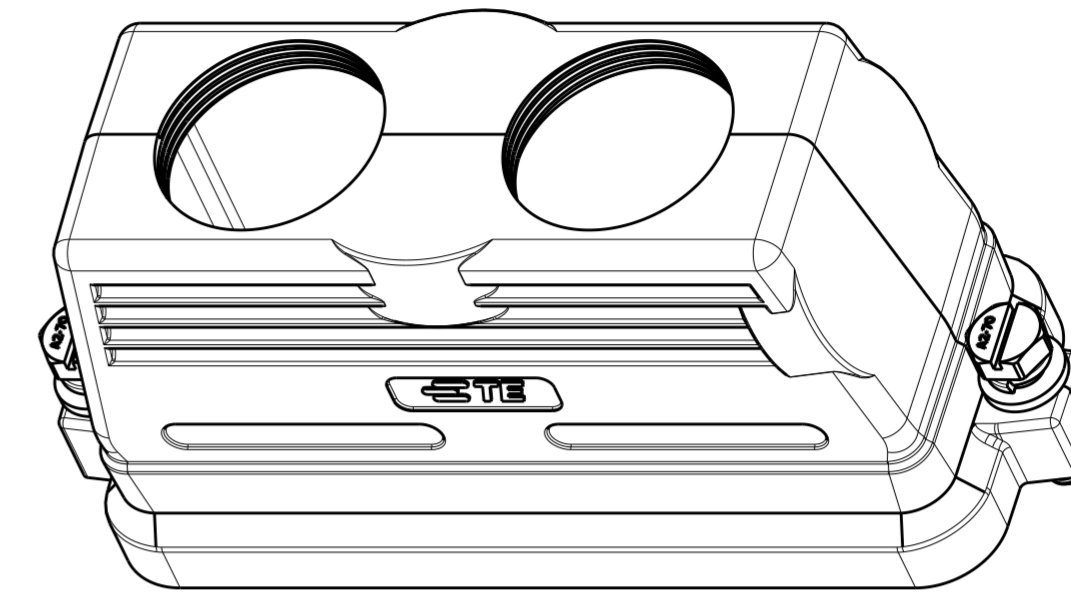
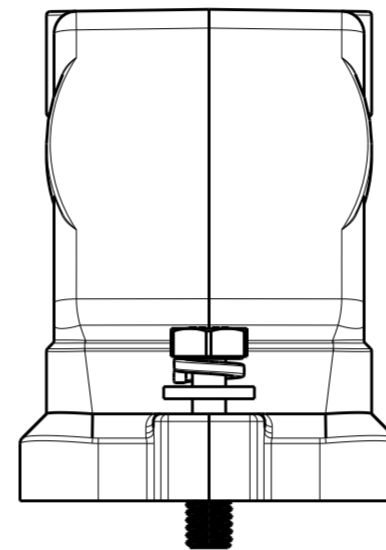
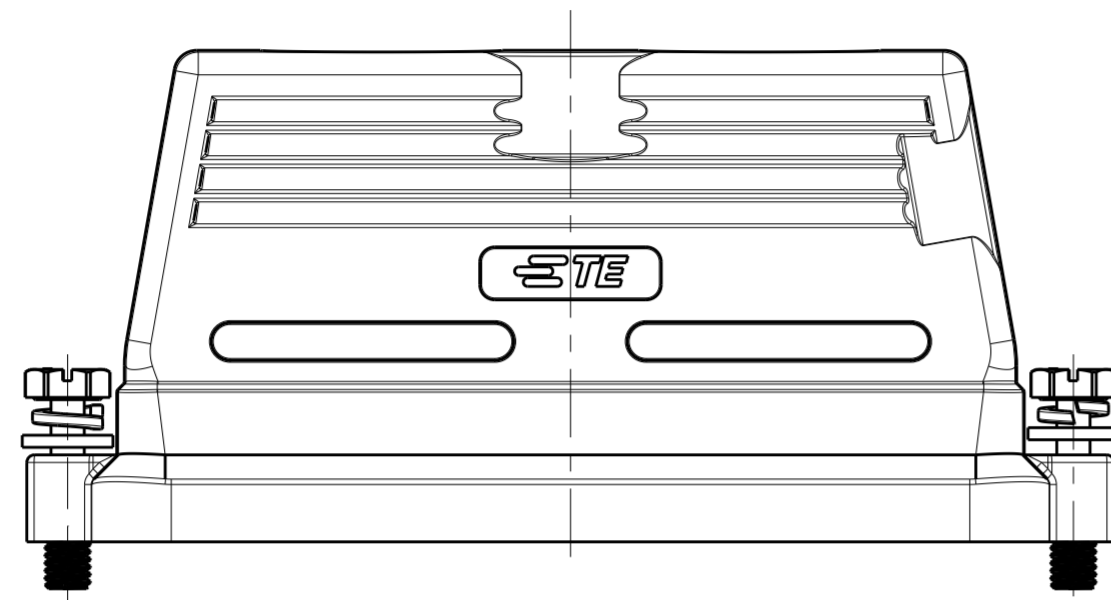


|  |  |                              |                               |  |
|--|--|------------------------------|-------------------------------|--|
| THIS DRAWING IS A CONTROLLED DOCUMENT. |  | DWN 27FEB2017<br>QIANG YUAN  | <b>STB</b> TE Connectivity    |  |
| DIMENSIONS:<br>mm                      |  | CHK 27FEB2017<br>KYLE ZENG   |                               |  |
| TOLERANCES UNLESS OTHERWISE SPECIFIED: |  | APVD 27FEB2017<br>CHRIS WANG | NAME H24BK-TSHC/TGHC-PG/M     |  |
| 0 PLC ±-                               |  | PRODUCT SPEC                 | SIZE                          |  |
| 1 PLC ±-                               |  | 108-137276                   | CAGE CODE                     |  |
| 2 PLC ±-                               |  | APPLICATION SPEC             | DRAWING NO                    |  |
| 3 PLC ±-                               |  | 114-137276                   | RESTRICTED TO                 |  |
| 4 PLC ±-                               |  | WEIGHT                       | A2 00779                      |  |
| ANGLES ±-                              |  | CUSTOMER DRAWING             | SCALE 5:1 SHEET 2 OF 3 REV A1 |  |
| FINISH                                 |  |                              |                               |  |

THIS DRAWING IS UNPUBLISHED. RELEASED FOR PUBLICATION 20  
 © COPYRIGHT 20 BY - ALL RIGHTS RESERVED.

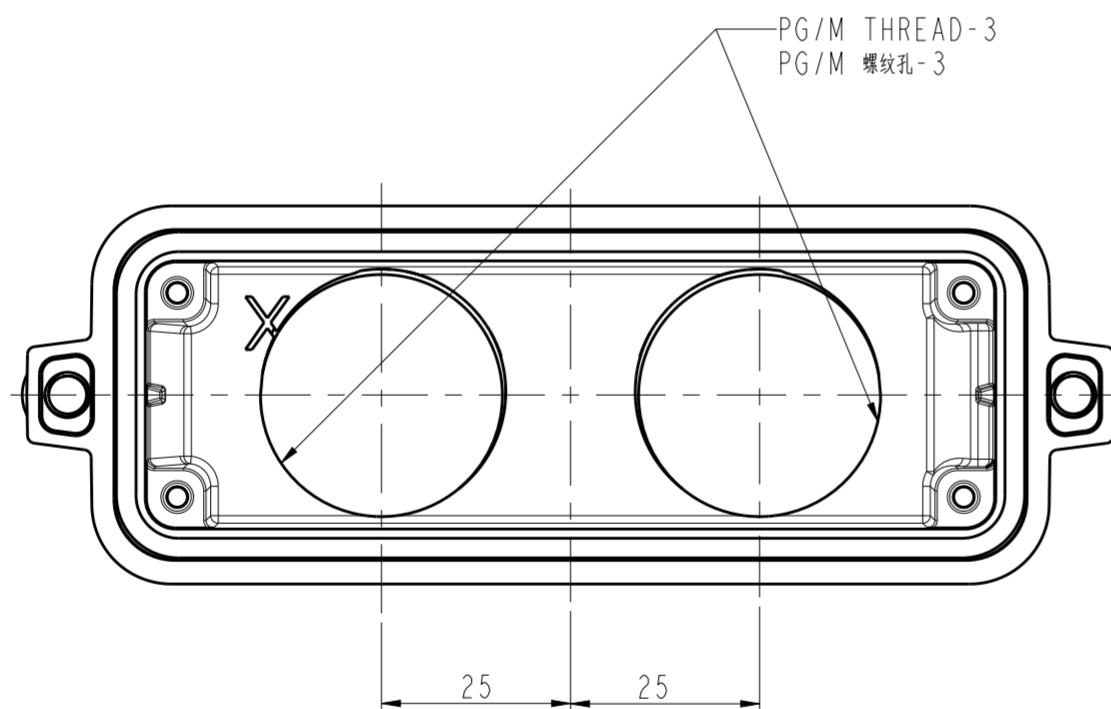
| REVISIONS |     |             |      |      |
|-----------|-----|-------------|------|------|
| P         | LTR | DESCRIPTION | DATE | APVD |
| -         |     | SEE SHEET 1 | -    | -    |
|           |     |             |      |      |
|           |     |             |      |      |

NOTES:  
 SEE SHEET 1  
 注释:  
 见页 1



TYPE-3: STANDARD TOP ENTRY  
 类型-3: 标准顶出

ALL DIMENSIONS ARE SAME AS TYPE 1,  
 EXCEPT THOSE DEFINED IN THIS TYPE.  
 除了在本类型中定义的尺寸外,其它尺寸同类型1



|                   |                          |  |                            |                            |                            |                |
|-------------------|--------------------------|--|----------------------------|----------------------------|----------------------------|----------------|
| T1822242232-000   | H24BK-TGHC-2M32          | H24BK HOOD,CENTER LOCKING, TOP ENTRY 2M32, POWDER COATED, GREY<br>H24BK上壳, 中部锁定, 顶出2M32, 灰色粉末喷涂  | -                          | -                          | 2M32X1.5                   | TYPE-3<br>类型-3 |
| T1822242132-000   | H24BK-TGHC-M32           | H24BK HOOD,CENTER LOCKING, TOP ENTRY M32, POWDER COATED, GREY<br>H24BK上壳, 中部锁定, 顶出M32, 灰色粉末喷涂    | -                          | M32X1.5                    |                            | TYPE-2<br>类型-2 |
| T1822242125-000   | H24BK-TGHC-M25           | H24BK HOOD,CENTER LOCKING, TOP ENTRY M25, POWDER COATED, GREY<br>H24BK上壳, 中部锁定, 顶出M25, 灰色粉末喷涂    | -                          | M25X1.5                    |                            |                |
| T1822242121-000   | H24BK-TGHC-PG21          | H24BK HOOD,CENTER LOCKING, TOP ENTRY PG21, POWDER COATED, GREY<br>H24BK上壳, 中部锁定, 顶出PG21, 灰色粉末喷涂  | -                          | PG21                       |                            | TYPE-1<br>类型-1 |
| T1812242132-000   | H24BK-TSHC-M32           | H24BK HOOD,CENTER LOCKING, SIDE ENTRY M32, POWDER COATED, GREY<br>H24BK上壳, 中部锁定, 侧出M32, 灰色粉末喷涂   | M32X1.5                    | -                          |                            |                |
| T1812242125-000   | H24BK-TSHC-M25           | H24BK HOOD,CENTER LOCKING, SIDE ENTRY M25, POWDER COATED, GREY<br>H24BK上壳, 中部锁定, 侧出M25, 灰色粉末喷涂   | M25X1.5                    | -                          |                            |                |
| T1812242121-000   | H24BK-TSHC-PG21          | H24BK HOOD,CENTER LOCKING, SIDE ENTRY PG21, POWDER COATED, GREY<br>H24BK上壳, 中部锁定, 侧出PG21, 灰色粉末喷涂 | PG21                       | -                          |                            |                |
| PART NUMBER<br>料号 | PART DESCRIPTION<br>成品描述 |  | PG/M THREAD-1<br>PG/M螺纹孔-1 | PG/M THREAD-2<br>PG/M螺纹孔-2 | PG/M THREAD-3<br>PG/M螺纹孔-3 | TYPE<br>类型     |

THIS DRAWING IS A CONTROLLED DOCUMENT.

|   |   |
|---|---|
| DWN<br>QIANG YUAN<br>27/FEB/2017  | TE Connectivity<br>NAME<br>H24BK-TSHC/TGHC-PG/M |
| CHK<br>KYLE ZENG<br>27/FEB/2017   |   |
| APVD<br>CHRIS WANG<br>27/FEB/2017   |   |
| PRODUCT SPEC<br>108-137276  | SIZE<br>A2                                      |
| APPLICATION SPEC<br>114-137276  | CAGE CODE<br>00779                              |
| MATERIAL<br>-   | DRAWING NO<br>T18X224XXXX000                    |
| TOLERANCES UNLESS OTHERWISE SPECIFIED:<br>0 PLC ± -<br>1 PLC ± -<br>2 PLC ± -<br>3 PLC ± -<br>4 PLC ± -<br>ANGLES ± -<br>FINISH - | RESTRICTED TO<br>SCALE 5:1 SHEET 3 OF 3 REV A1  |

CUSTOMER DRAWING