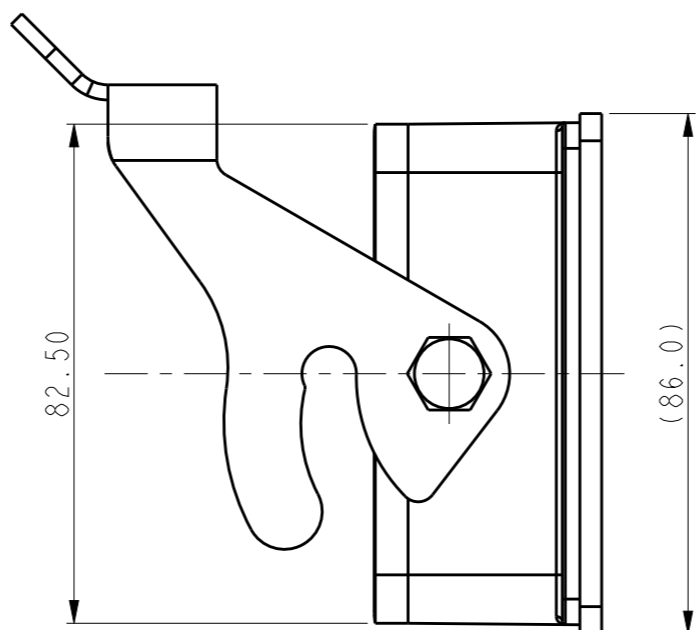
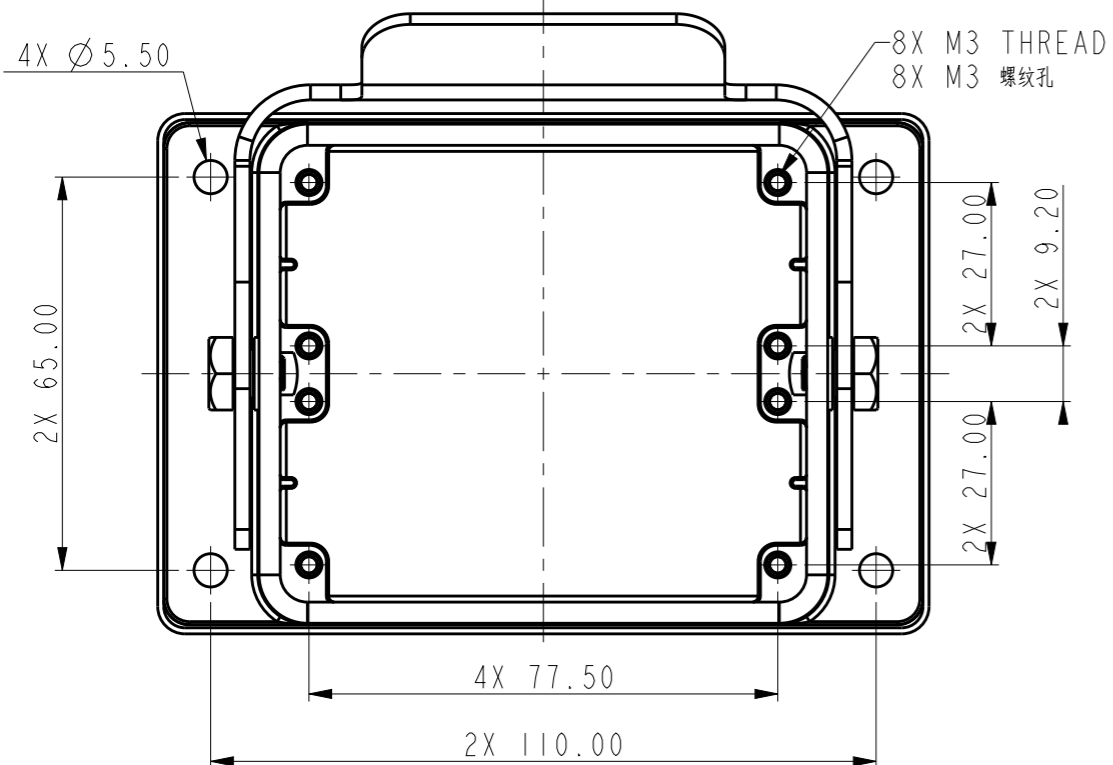


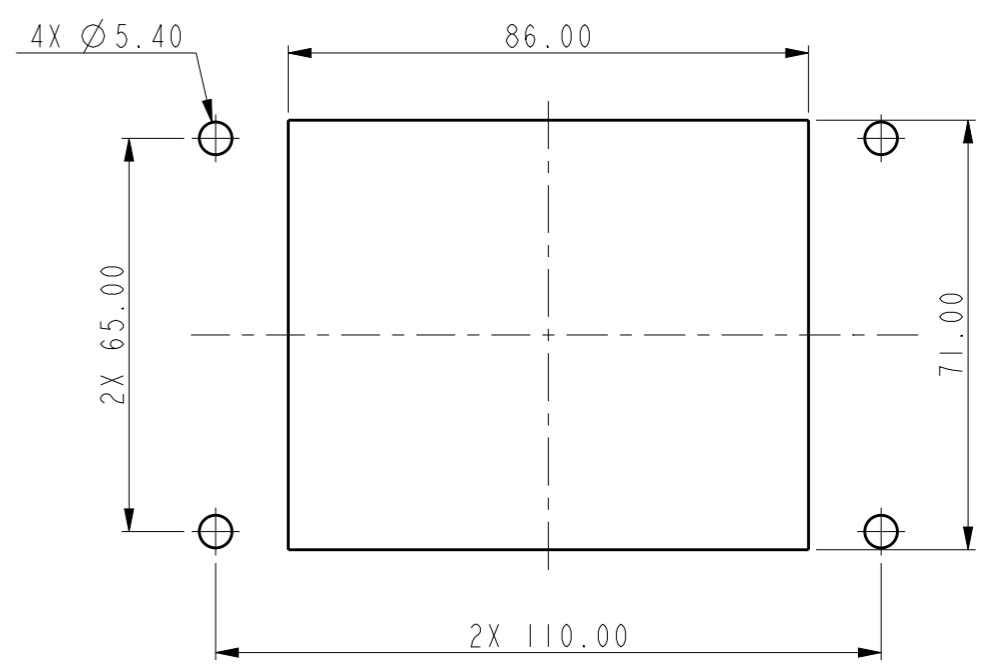
THIS DRAWING IS UNPUBLISHED. RELEASED FOR PUBLICATION 20
 © COPYRIGHT 20 BY - ALL RIGHTS RESERVED.

REVISIONS					
P	LTR	DESCRIPTION	DATE	DWN	APVD
	A	INITIAL RELEASE	03JUN2015	DL	CW
	AI	ECR-17-017115	30NOV2017	CH	CW

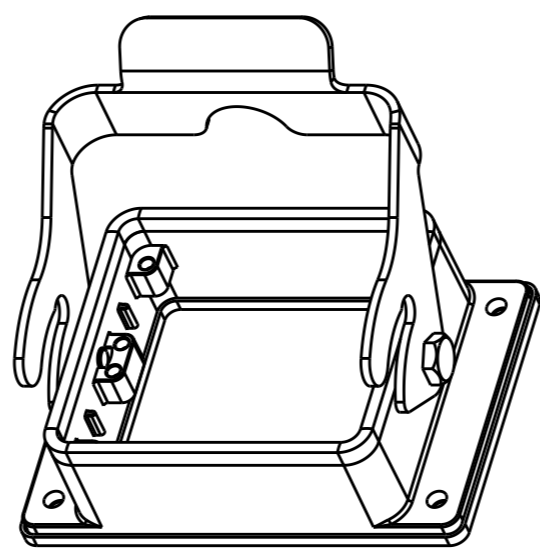


NOTES:
 1. TECHNICAL CHARACTERISTICS:
 BODY MATERIAL: DIE CAST ALUMINIUM ALLOY
 SURFACE TREATMENT: POWDER COATED, GREY
 DEGREE OF PROTECTION: IP65 (MATED)

注释:
 1. 技术参数:
 主体材料: 铝合金
 表面处理: 灰色粉末喷涂
 防护等级: IP65(配合)

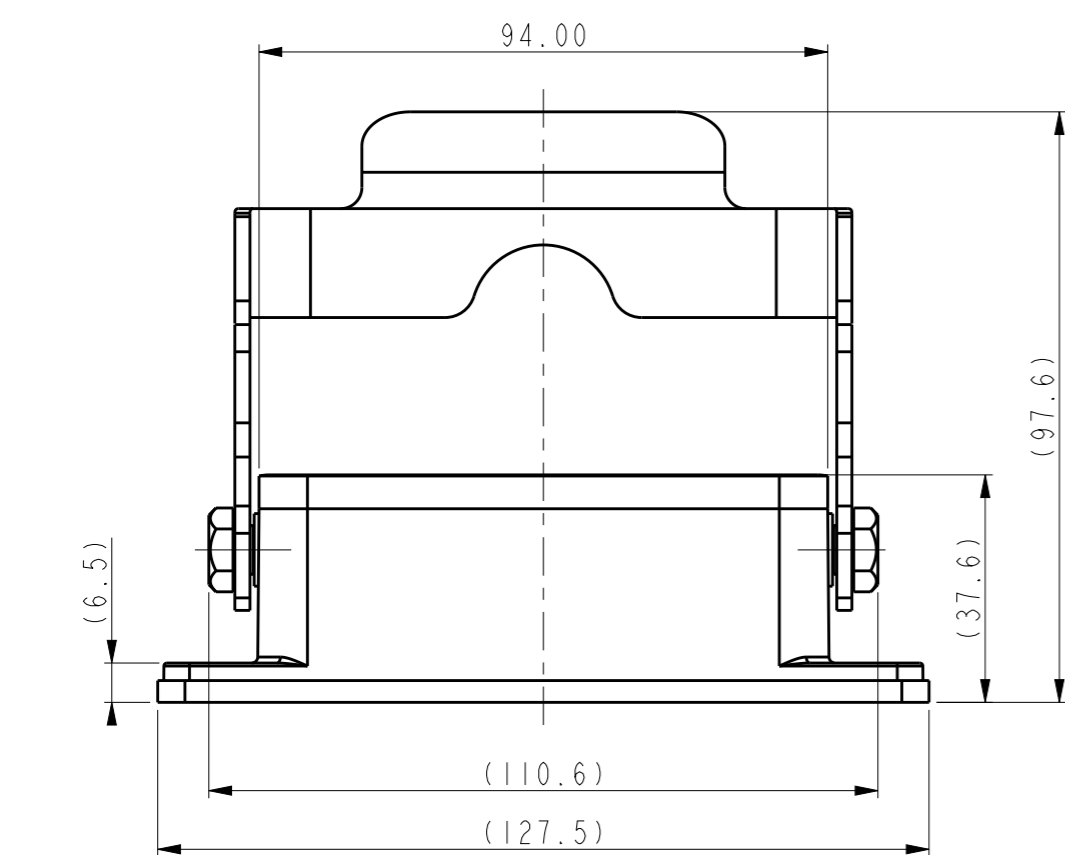



开孔安装示意图
 PANNEL CUT OUT



SCALE 1:2

T1500322000-000	H32B-AG-LB	H32B HOUSING, BULKHEAD MOUNTED, STAINLESS STEEL SINGLE LOCKING, POWDER COATED, GREY H32B下壳, 开孔安装, 不锈钢单扣, 灰色粉末喷涂
PART NUMBER 料号	PART DESCRIPTION 描述	



THIS DRAWING IS A CONTROLLED DOCUMENT.		DWN 03JUN2015 DAVID.LI	 TE Connectivity	
DIMENSIONS: mm		CHK 03JUN2015 CHRIS.WANG		
TOLERANCES UNLESS OTHERWISE SPECIFIED:		APVD 03JUN2015 XIANG.XU	NAME H32B-AG-LB	
0 PLC ±-		PRODUCT SPEC 108-137013	SIZE A3	
1 PLC ±-		APPLICATION SPEC 114-137013	CAGE CODE -	
2 PLC ±-		WEIGHT -	DRAWING NO C-T1500322000000	
3 PLC ±-		CUSTOMER DRAWING	RESTRICTED TO -	
4 PLC ±-			SCALE 4:5	
ANGLES ±-			SHEET 1 OF 1	
FINISH			REV AI	