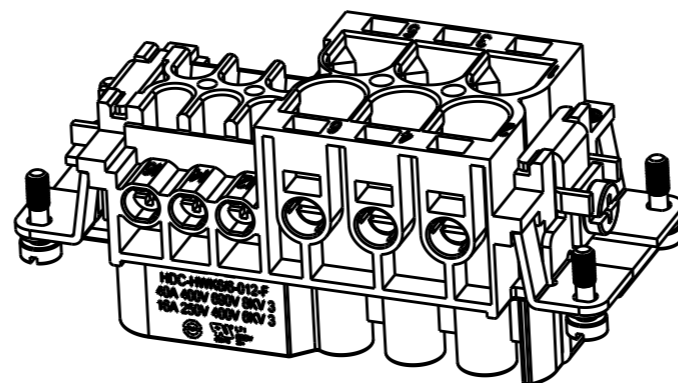
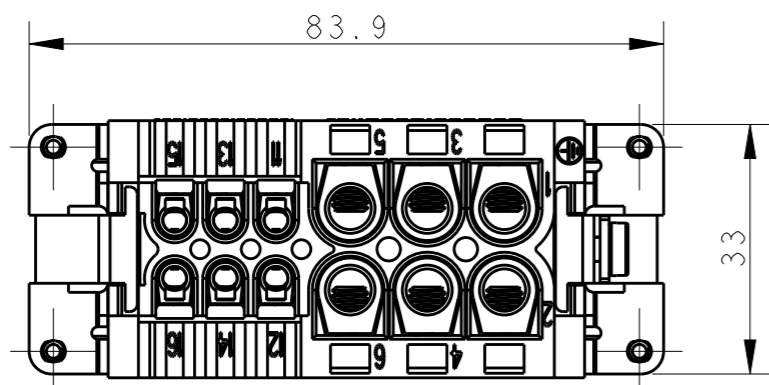


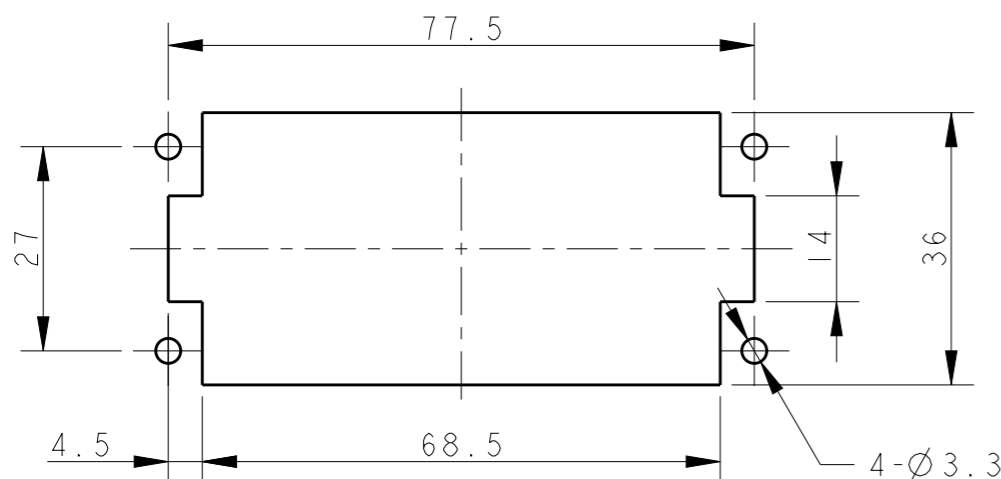
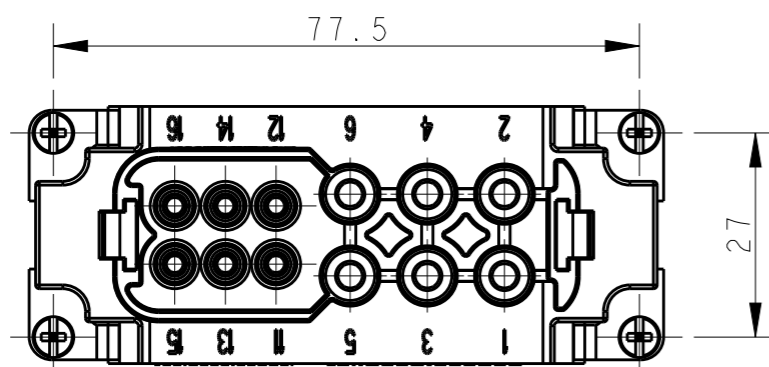
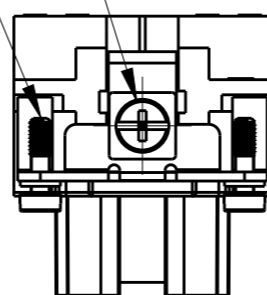
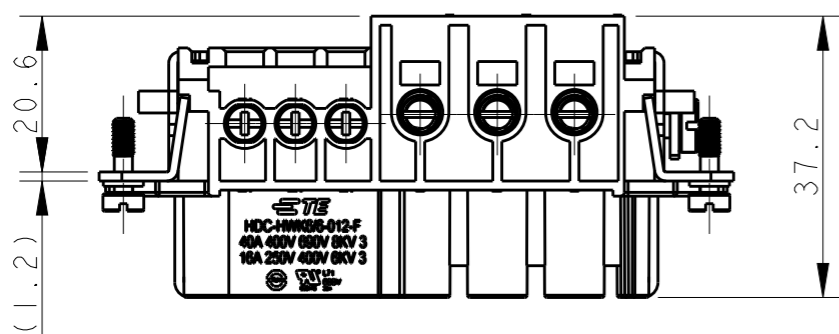
REVISIONS

P	LTR	DESCRIPTION	DATE	DWN	APVD
A		INITIAL RELEASE	13APR2015	DL	CW
AI		ECR-15-009224	23JUN2015	DL	CW
B		ECR-15-018481	22FEB2016	DL	CW



M4 THREAD  
RECOMMENDED TIGHTENING TORQUE 1.2Nm

4 X M3 THREAD  
RECOMMENDED TIGHTENING TORQUE 0.5Nm




NOTES:

- TECHNICAL CHARACTERISTICS:  
 INSULATION MATERIAL: PC  
 RATED VOLTAGE: POWER: CONDUCTOR-CONDUCTOR: 690 V;  
 CONDUCTOR-GROUND: 400 V  
 SIGNAL: CONDUCTOR-CONDUCTOR: 400 V;  
 CONDUCTOR-GROUND: 250 V  
 RATED CURRENT: POWER: 40 A; SIGNAL: 16 A  
 INSULATION RESISTANCE: >=400MΩ  
 RATED IMPULSE VOLTAGE: POWER: 6 KV; SIGNAL: 4 KV  
 POLLUTION DEGREE: 3  
 FLAMMABILITY: UL94V-0  
 MATING CYCLES: 500  
 OPERATION TEMPERATURE: -40-+125°C  
 WIRE RANGE: POWER: 2.5-10.0 mm<sup>2</sup> (14-7 AWG)  
 SIGNAL: 0.5-2.5 mm<sup>2</sup> (16-14 AWG)  
 CONTACT FINISH: SILVER PLATED  
 CONTACT TYPE: SCREW CONTACT

注释:

- 技术参数:  
 绝缘材料: PC  
 额定电压: 电源: 导体-导体: 690V; 导体-地: 400V;  
 信号: 导体-导体: 400V; 导体-地: 250V;  
 额定电流: 电源: 40A; 信号: 16A  
 绝缘电阻: >=400MΩ  
 额定脉冲电压: 电源: 6 KV; 信号: 4 KV  
 污染等级: 3  
 阻燃等级: UL94V-0  
 插拔次数: 500次  
 工作温度: -40-+125°C  
 接线范围: 电源: 2.5-10.0 mm<sup>2</sup> (14-7 AWG)  
 信号: 0.5-2.5 mm<sup>2</sup> (16-14 AWG)  
 端子表面处理: 镀银  
 接线类型: 螺丝压接

T2106062201-000	HWK6/6-012-F HWK6/6-012 母插
PART NUMBER 料号	PART DESCRIPTION 描述

THIS DRAWING IS A CONTROLLED DOCUMENT.		DWN DAVID LI 13APR2015	 TE Connectivity	
DIMENSIONS: mm		CHK CHRIS WANG 13APR2015		
TOLERANCES UNLESS OTHERWISE SPECIFIED:		APVD XU XIANG 13APR2015	NAME	
0 PLC ±-		PRODUCT SPEC	HDC-HWK6/6-012-F	
1 PLC ±-		108-137126	APPLICATION SPEC	
2 PLC ±-		114-137126	WEIGHT	
3 PLC ±-		CUSTOMER DRAWING	SIZE A3	CAGE CODE -
4 PLC ±-			DRAWING NO. T2106062201000	RESTRICTED TO -
ANGLES ±-			SCALE 1:1	SHEET 1 OF 1
FINISH -			REV B	

PANEL CUT OUT FOR INSERTS FOR USING WITHOUT HOODS/HOUSINGS