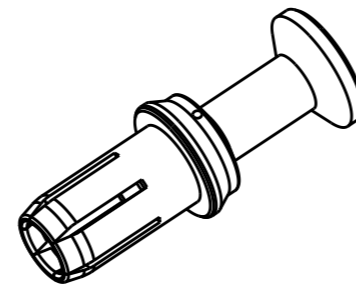
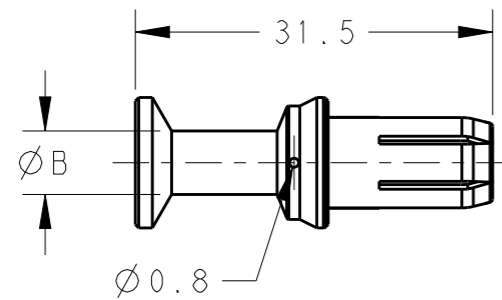


REVISIONS

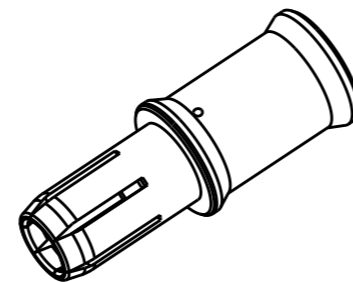
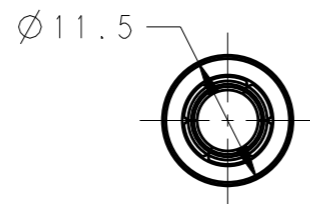
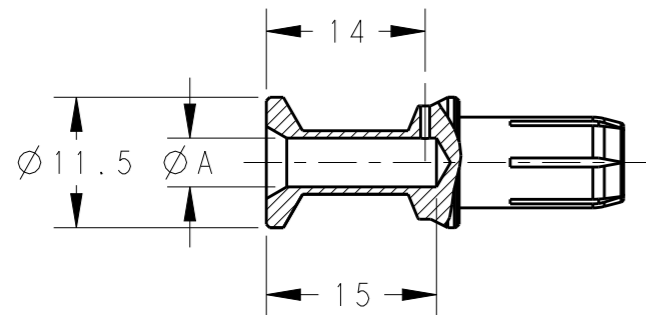
P	LTR	DESCRIPTION	DATE	DWN	APVD
	A	INITIAL	15MAY2015	DW	CW
	A1	ECR-16-015170	11JAN2017	YC	CW



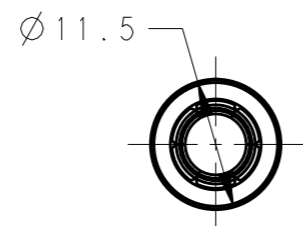
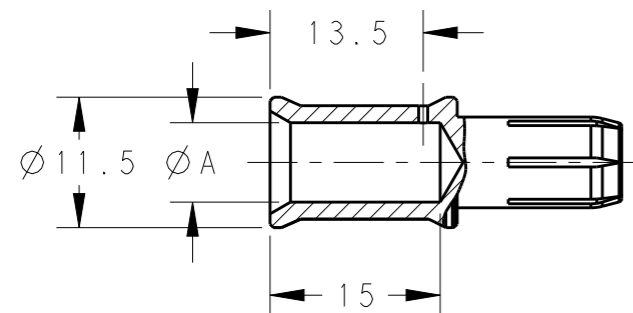
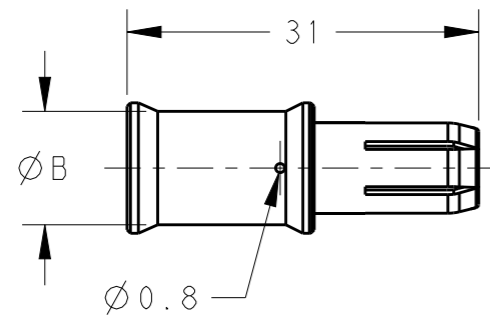
TYPE 1:  
 CSF-10 T2400002100-000  
 CSF-16 T2400002160-000  
 类型 1:  
 CSF-10 T2400002100-000  
 CSF-16 T2400002160-000

NOTES:  
 1. TECHNICAL CHARACTERISTICS:  
 CONTACT MATERIAL: BRASS  
 SURFACE PLATING:  
 SILVER PLATING:  $\geq 2\mu\text{m}$   
 CONTACT RESISTANCE:  $\leq 1.5\text{m}\Omega$   
 WIRE RANGE: 10-25mm<sup>2</sup>


注释:  
 1. 技术参数:  
 公针材料: 黄铜  
 表面电镀:  
 镀银:  $\geq 2\mu\text{m}$   
 接触电阻:  $\leq 1.5\text{m}\Omega$   
 接线范围: 10-25mm<sup>2</sup>



TYPE 2:  
 CSF-25 T2400002250-000  
 类型 2:  
 CSF-25 T2400002250-000



T2400002100-000	CSF-10	CSF-10,SILVER PLATING / SS母针 10mm <sup>2</sup> , 镀银	4.3	5.6	10	15	TYPE 1
T2400002160-000	CSF-16	CSF-16,SILVER PLATING / SS母针 16mm <sup>2</sup> , 镀银	5.5	8.5	16		TYPE 2
T2400002250-000	CSF-25	CSF-25,SILVER PLATING / SS母针 25mm <sup>2</sup> , 镀银	7.0	10.0	25		
PART NUMBER 料号	PART DESCRIPTION 描述		ØA	ØB	WIRE GAUGE 线规(mm <sup>2</sup> )	STRIPPING LENGTH(mm) 剥线长度	TYPE 类型

THIS DRAWING IS A CONTROLLED DOCUMENT.		DWN 15MAY2015 DAVID WANG	 TE Connectivity	
DIMENSIONS: mm		CHK 15MAY2015 CHRIS WANG		
TOLERANCES UNLESS OTHERWISE SPECIFIED:		APVD 15MAY2015 XIANG XU	NAME CSF SS SOCKET CONTACT	
0 PLC ±- 1 PLC ±- 2 PLC ±- 3 PLC ±- 4 PLC ±- ANGLES ±-		PRODUCT SPEC 108-137059	SIZE A3	
MATERIAL -		APPLICATION SPEC 114-137059	CAGE CODE 00779	DRAWING NO T2400002XX0000
FINISH -		WEIGHT -	RESTRICTED TO -	
		CUSTOMER DRAWING	SCALE 3:2	SHEET 1 OF 1 REV A1