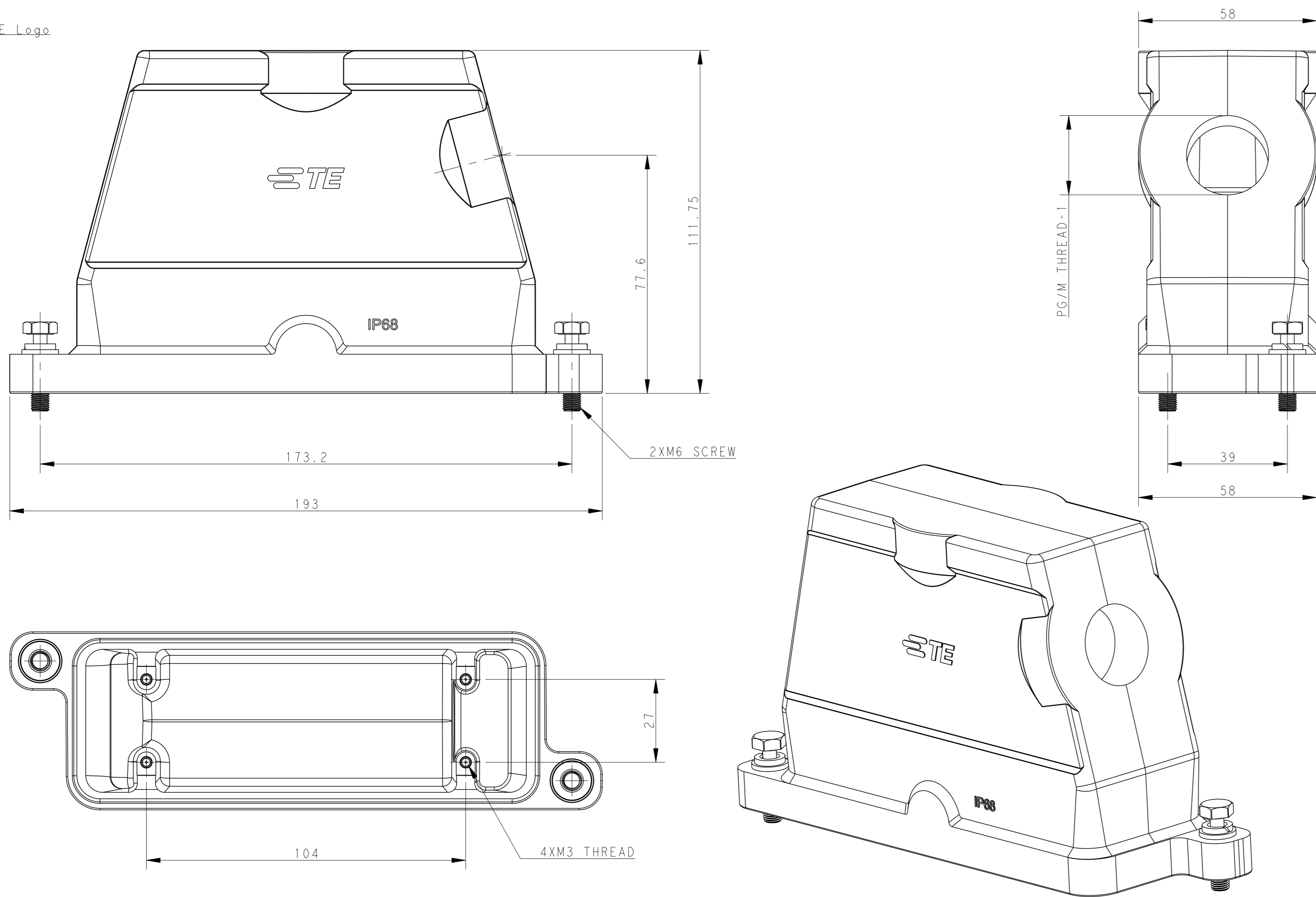


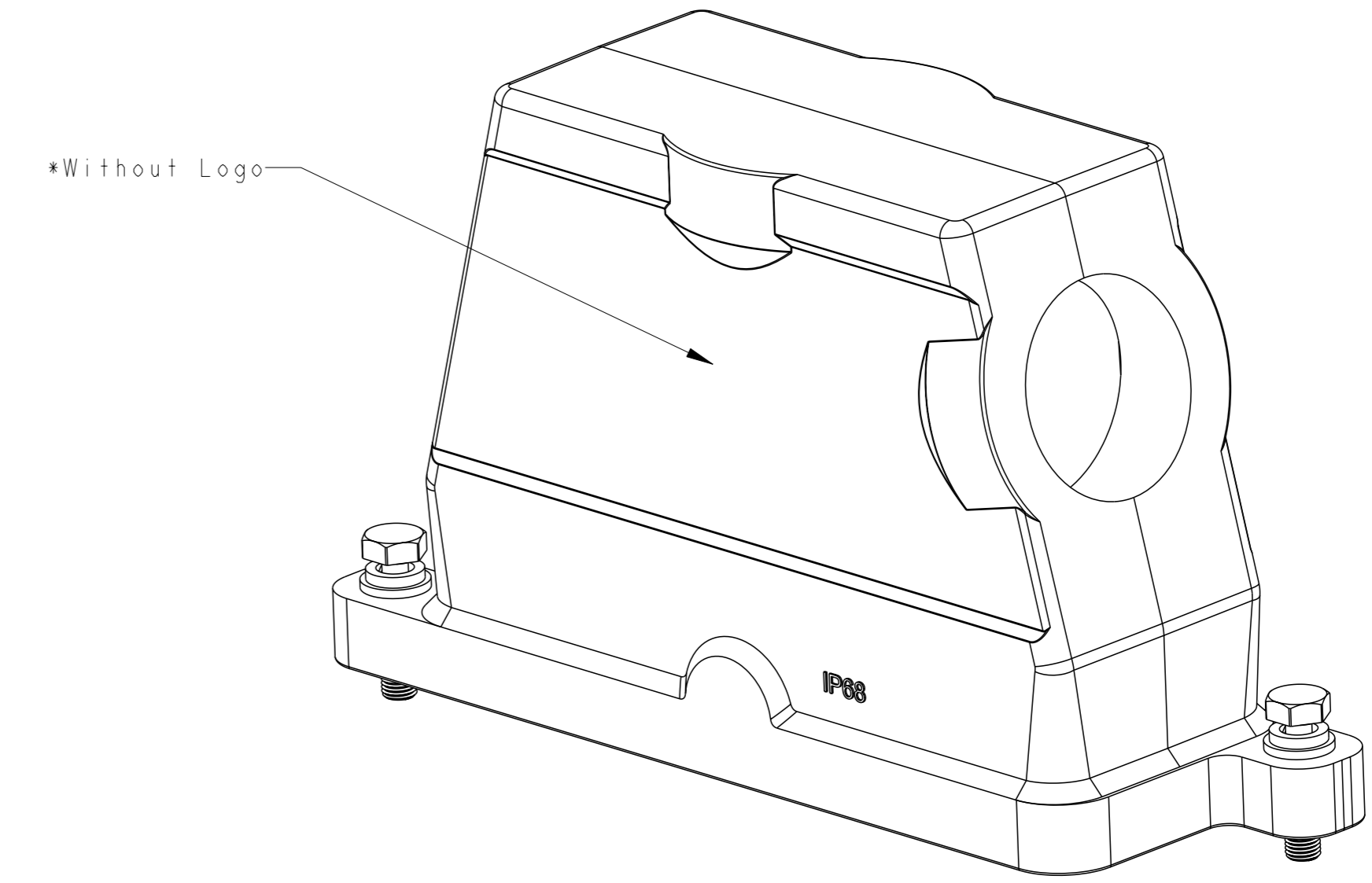
### TYPE 1

Hood with TF Logo



### TYPE 2

Hood without Logo



All dimension is same as TYPE 1, except those defined in this TYPE

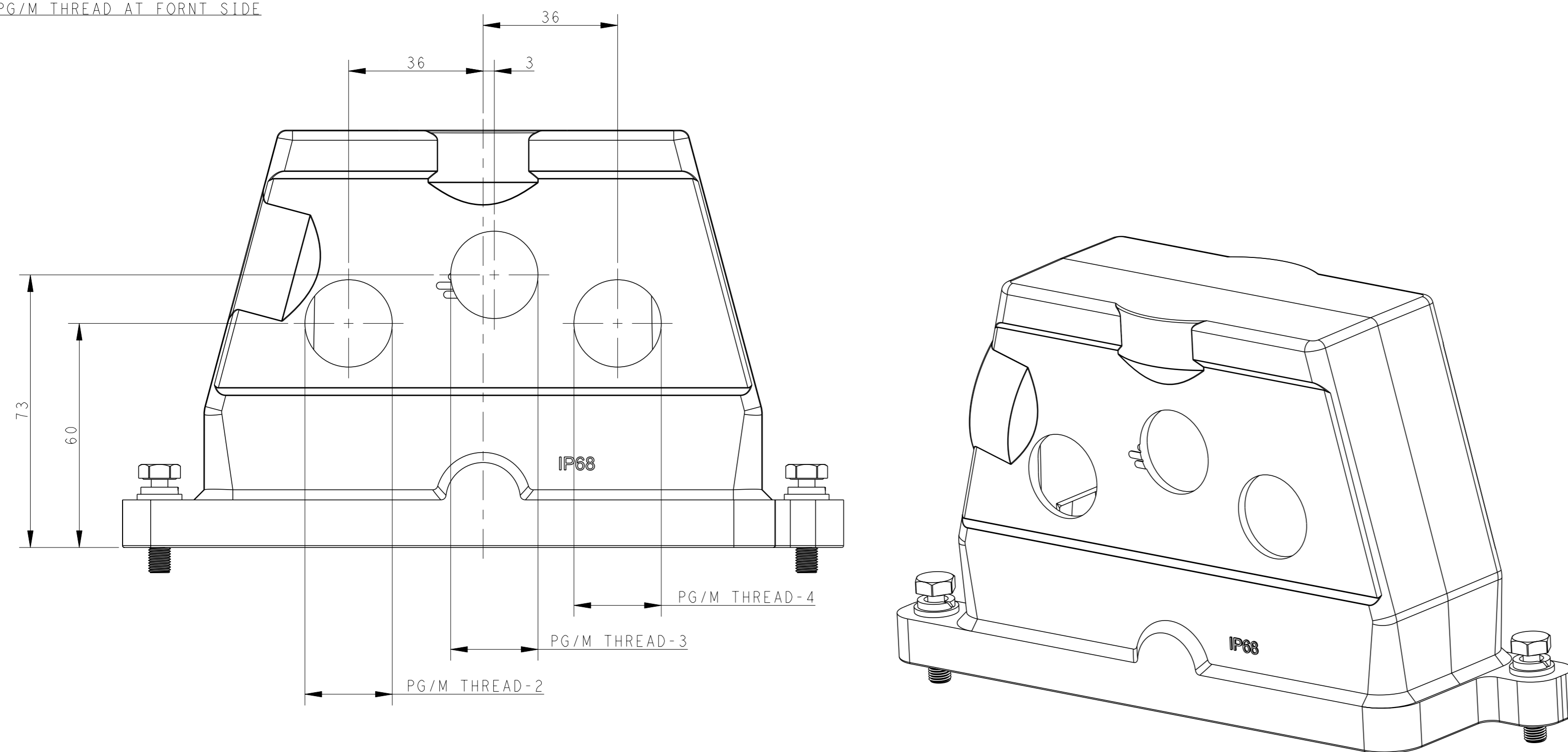
NOTES:  
1. TECHNICAL CHARACTERISTICS:  
HOOD MATERIAL: DIE CAST ALUMINIUM ALLOY  
SURFACE TREATMENT: SEE TABLE  
OPERATION TEMPERATURE: -40°C~+125°C  
DEGREE OF PROTECTION: IP68 (MATED)

注释  
1. 技术参数:  
壳体材料: 铝合金  
表面处理: 见表格  
工作温度: -40°C~+125°C  
防护等级: IP68 (配合)

REVISIONS				
#	LY#	DESCRIPTION	DATE	OWN APVD
A		INITIAL RELEASE	15JUN2015	GY CW
A1		ECR-16-000089	05JUN2016	DW CW

### TYPE 3

PG/M THREAD AT FORNT SIDE



All dimension is same as TYPE 1, except those defined in this TYPE

PART NUMBER	SURFACE TREATMEN	DESCRIPTION	PG/M THREAD-4	PG/M THREAD-3	PG/M THREAD-2	PG/M THREAD-1	TYPE
T1910240325-000	POWDER COATED BLACK	H24BPR-TFH-3M25	M25	M25	M25	-	TYPE 3
T1910240150-100	POWDER COATED BLACK	H24BPR-TSH-M50	-	-	-	M50	TYPE 2
T1910240140-100	POWDER COATED BLACK	H24BPR-TSH-M40	-	-	-	M40	
T1910242150-000	POWDER COATED GRAY	H24BPR-TSH-M50	-	-	-	M50	
T1910241150-000	POWDER COATED SILVER WHITE	H24BPR-TSH-M50	-	-	-	M50	
T1910241140-000	POWDER COATED SILVER WHITE	H24BPR-TSH-M40	-	-	-	M40	
T1910241136-000	POWDER COATED SILVER WHITE	H24BPR-TSH-PG36	-	-	-	PG36	
T1910241132-000	POWDER COATED SILVER WHITE	H24BPR-TSH-M32	-	-	-	M32	
T1910241129-000	POWDER COATED SILVER WHITE	H24BPR-TSH-PG29	-	-	-	PG29	
T1910241125-000	POWDER COATED SILVER WHITE	H24BPR-TSH-M25	-	-	-	M25	
T1910241121-000	POWDER COATED SILVER WHITE	H24BPR-TSH-PG21	-	-	-	PG21	TYPE 1
T1910240150-000	POWDER COATED BLACK	H24BPR-TSH-M50	-	-	-	M50	
T1910240140-000	POWDER COATED BLACK	H24BPR-TSH-M40	-	-	-	M40	
T1910240136-000	POWDER COATED BLACK	H24BPR-TSH-PG36	-	-	-	PG36	
T1910240132-000	POWDER COATED BLACK	H24BPR-TSH-M32	-	-	-	M32	
T1910240129-000	POWDER COATED BLACK	H24BPR-TSH-PG29	-	-	-	PG29	
T1910240125-000	POWDER COATED BLACK	H24BPR-TSH-M25	-	-	-	M25	
T1910240121-000	POWDER COATED BLACK	H24BPR-TSH-PG21	-	-	-	PG21	

THIS DRAWING IS A CONTROLLED DOCUMENT.

OWN: Gino Yao 15JUN2015  
CHK: Chris Wang 15JUN2015  
APVD: Xiang Xu 15JUN2015

TE Connectivity

NAME: H24BPR-TSH/TFH-PG/M

SIZE: A1 CAGE CODE: 108-137014 DRAWING NO: 114-137014 RESTRICTED TO: -

MATERIAL: - FINISH: - WEIGHT: -

Customer Drawing SCALE: 1:1 SHEET: 1 OF 1 REV: A1