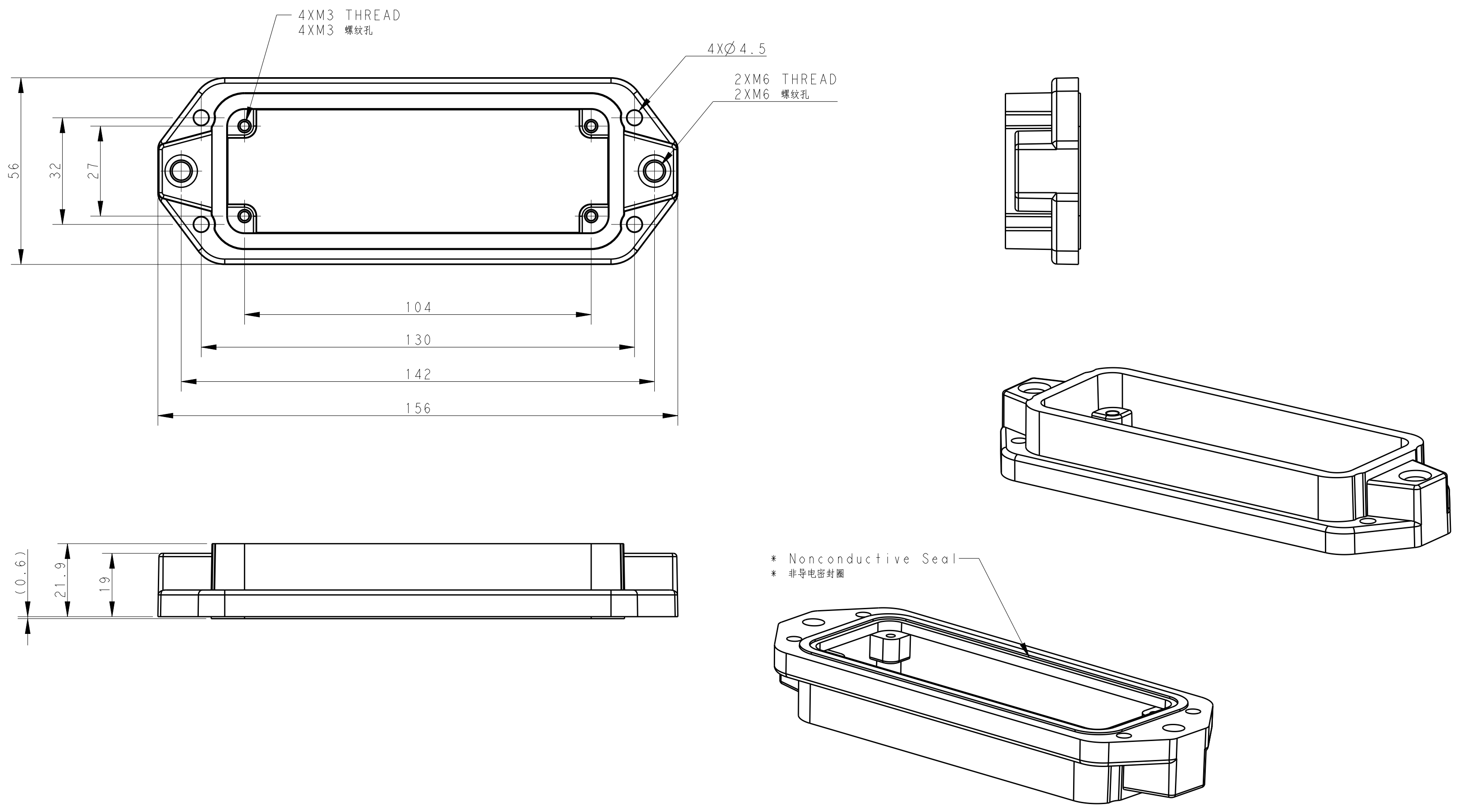


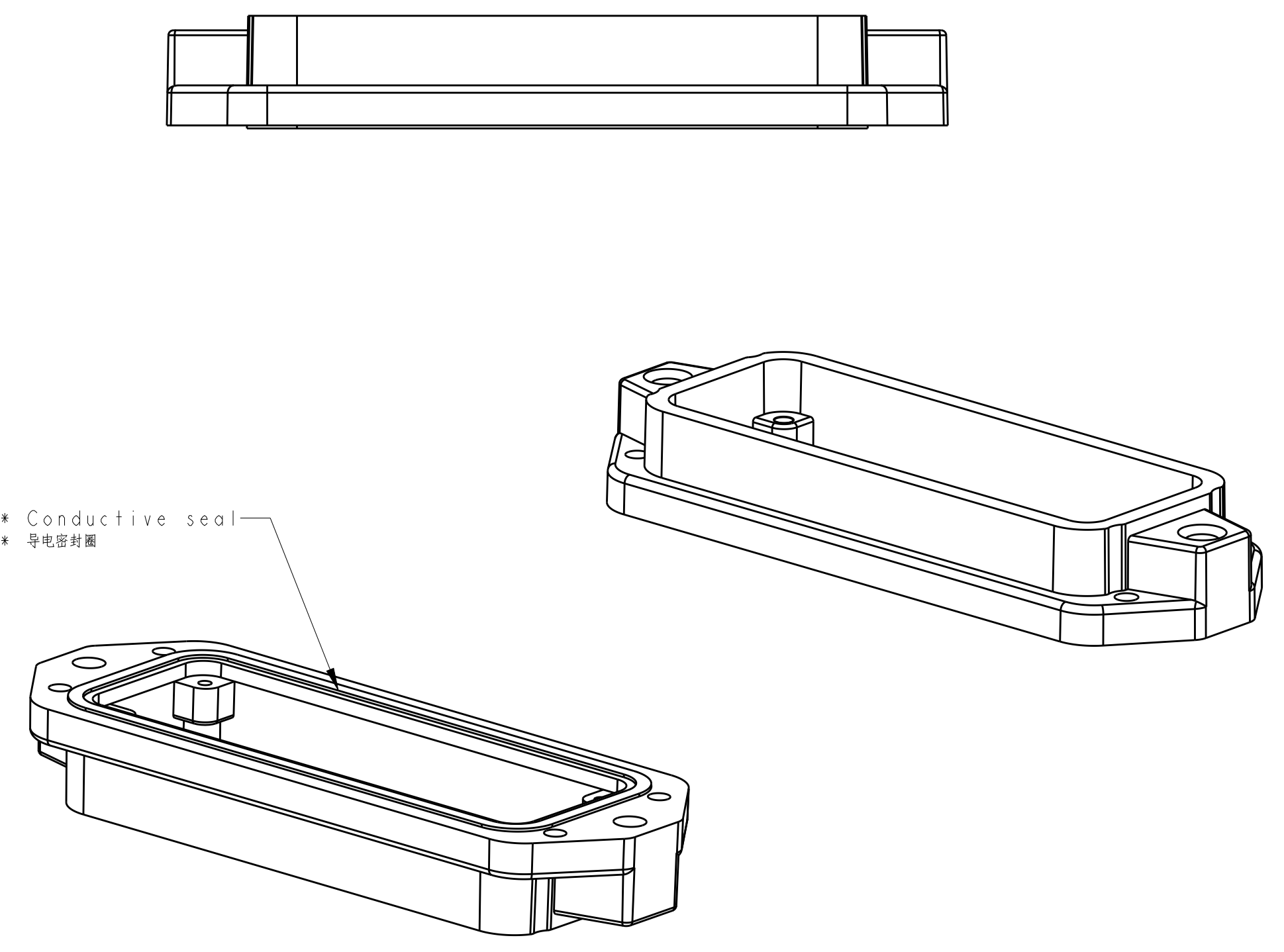
TYPE 1 类型 1

With nonconductive seal / 带非导电密封圈



TYPE 2 类型 2

With conductive seal / 带导电密封圈

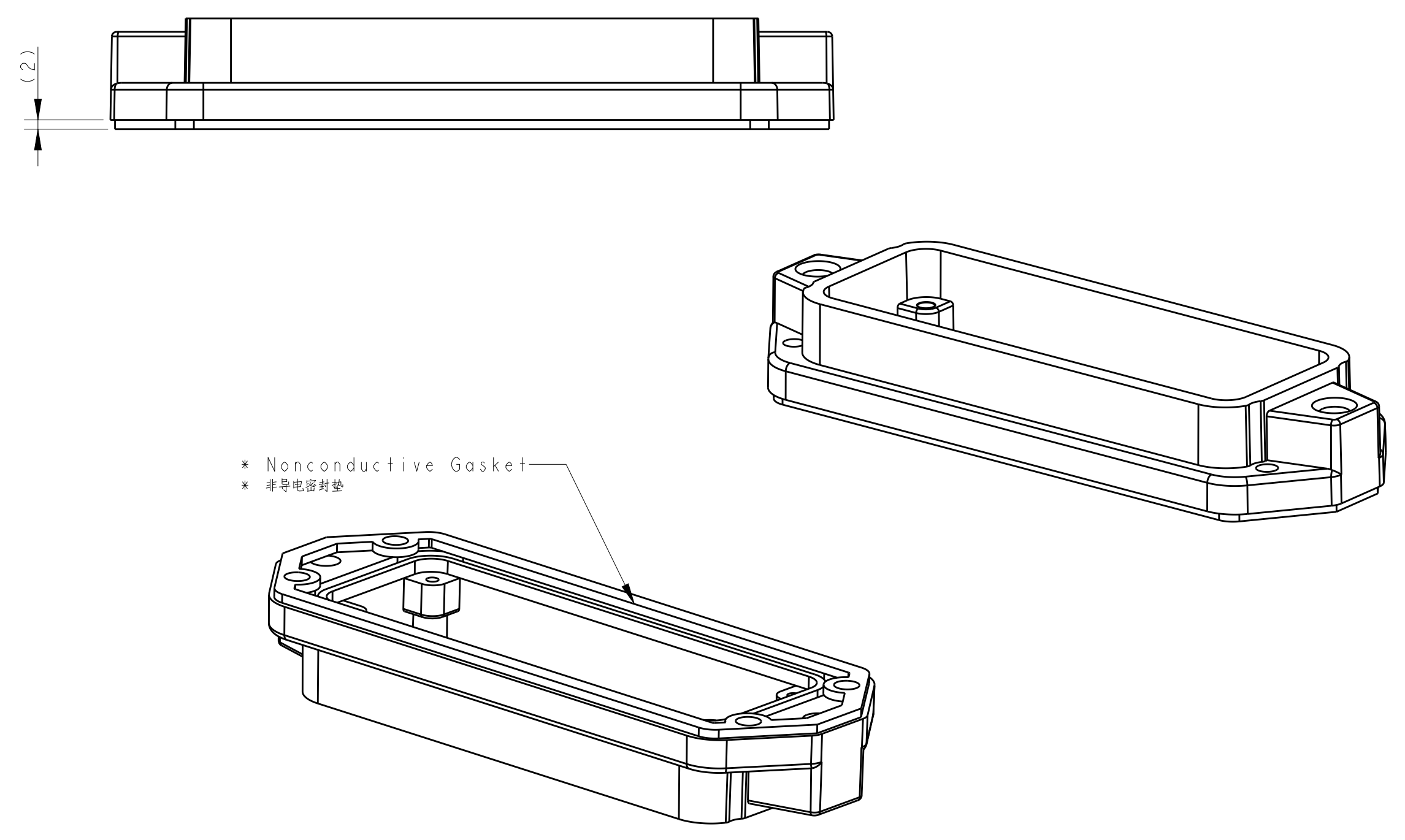


All dimension is same as TYPE 1, except those defined in this TYPE
 除了在本类型中定义的尺寸外, 其他尺寸同类型 1

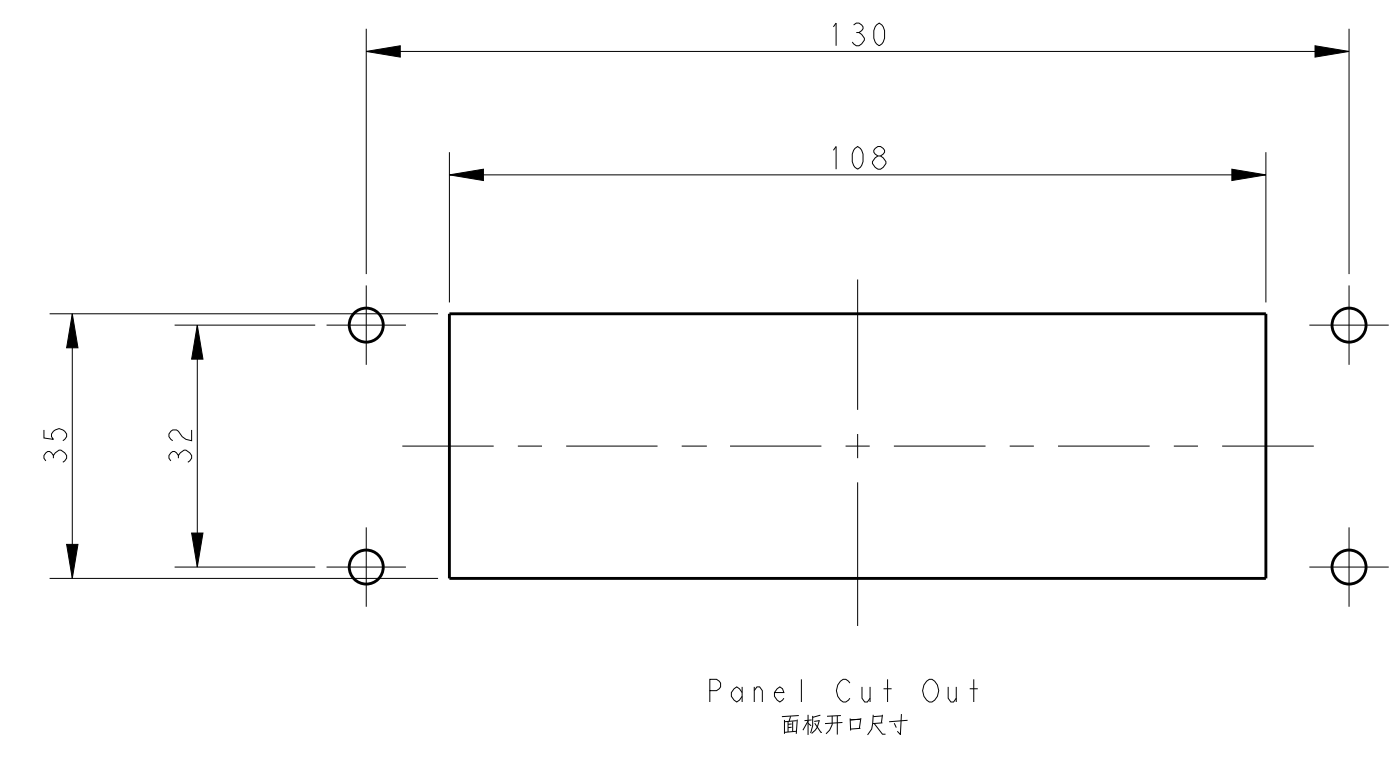
REVISIONS				
P	LTN	DESCRIPTION	DATE	DWN APVD
A		INITIAL RELEASE	17JUN2015	GY CW
B		ECR-16-007814	31MAY2016	GY CW
B1		ECR-18-010109	26JUN2018	CD CW

TYPE 3 类型 3

With nonconductive gasket / 带非导电密封垫



All dimension is same as TYPE 1, except those defined in this TYPE
 除了在本类型中定义的尺寸外, 其他尺寸同类型 1



NOTES:
 1. TECHNICAL CHARACTERISTICS:
 HOUSING MATERIAL: DIE CAST ALUMINIUM ALLOY
 SURFACE TREATMENT: SEE TABLE
 DEGREE OF PROTECTION: IP68 (MATED)

注释:
 1. 技术参数:
 壳体材料: 铝合金
 表面处理: 见表格
 防护等级: IP68 (配合)

PART NUMBER 零件料号	ASSEMBLY PART DESCRIPTION 成品描述	TYPE 类型
T1932241001-000	H24BPR HOUSING, CENTER LOCKING, BULKHEAD MOUNTED, POWDER COATED, SILVER WHITE, SEAL FIXED BY GLUE H24BPR 下壳, 中锁锁定, 开孔安装, 银白色粉末喷涂, 密封胶	TYPE 3 类型 3
T1932241000-100	H24BPR HOUSING, CENTER LOCKING, BULKHEAD MOUNTED, POWDER COATED, SILVER WHITE, CONDUCTIVE SEALING H24BPR 下壳, 中锁锁定, 开孔安装, 银白色粉末喷涂, 导电密封圈	TYPE 2 类型 2
T1932240000-100	H24BPR HOUSING, CENTER LOCKING, BULKHEAD MOUNTED, POWDER COATED, BLACK, CONDUCTIVE SEALING H24BPR 下壳, 中锁锁定, 开孔安装, 黑色粉末喷涂, 导电密封圈	TYPE 2 类型 2
T1932242000-000	H24BPR HOUSING, CENTER LOCKING, BULKHEAD MOUNTED, POWDER COATED, GREY H24BPR 下壳, 中锁锁定, 开孔安装, 灰色粉末喷涂	TYPE 1 类型 1
T1932241000-000	H24BPR HOUSING, CENTER LOCKING, BULKHEAD MOUNTED, POWDER COATED, SILVER WHITE H24BPR 下壳, 中锁锁定, 开孔安装, 银白色粉末喷涂	TYPE 1 类型 1
T1932240000-000	H24BPR HOUSING, CENTER LOCKING, BULKHEAD MOUNTED, POWDER COATED, BLACK H24BPR 下壳, 中锁锁定, 开孔安装, 黑色粉末喷涂	TYPE 1 类型 1
T1932242000-100	H24BPR HOUSING, CENTER LOCKING, BULKHEAD MOUNTED, POWDER COATED, DEEP GREY H24BPR 下壳, 中锁锁定, 开孔安装, 深灰色粉末喷涂	TYPE 1 类型 1

THIS DRAWING IS A CONTROLLED DOCUMENT.		DWN Gino_Yao 17JUN2015	TE Connectivity	
DIMENSIONS:		CHK Chris.Wong 17JUN2015		
mm	TOLERANCES UNLESS OTHERWISE SPECIFIED:	APVD Yiann_Yu 17JUN2015	NAME H24BPR-AGC	RESTRICTED TO
0 PLC ±	0 PLC ±	PRODUCT SPEC	SIZE	
1 PLC ±	1 PLC ±	108-137014	CAGE CODE	
2 PLC ±	2 PLC ±	APPLICATION SPEC	DRAWING NO	
3 PLC ±	3 PLC ±	114-137014	SCALE	
4 PLC ±	4 PLC ±	ANGLES	1:1	
MATERIAL	FINISH	WEIGHT	SHEET	1 OF 1
		Customer Drawing	REV	B1