

THIS DRAWING IS UNPUBLISHED.

RELEASED FOR PUBLICATION

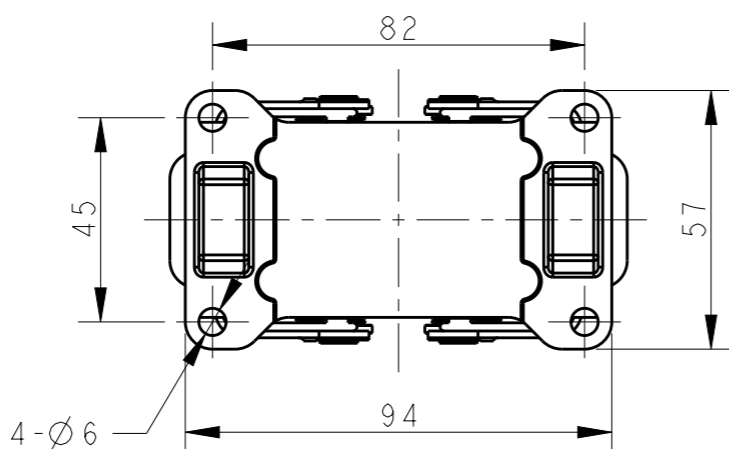
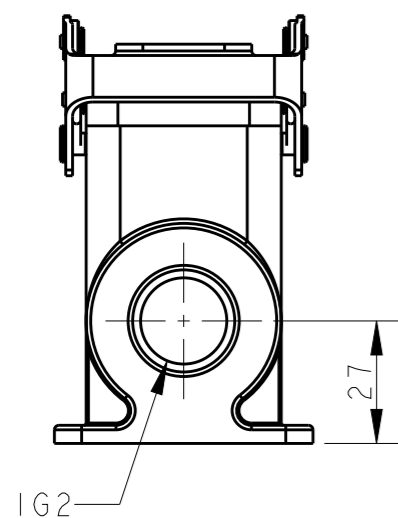
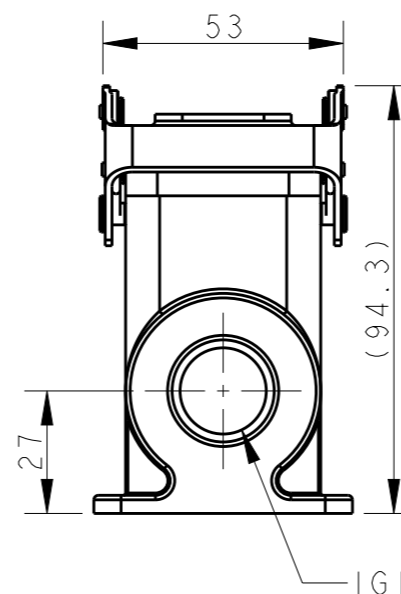
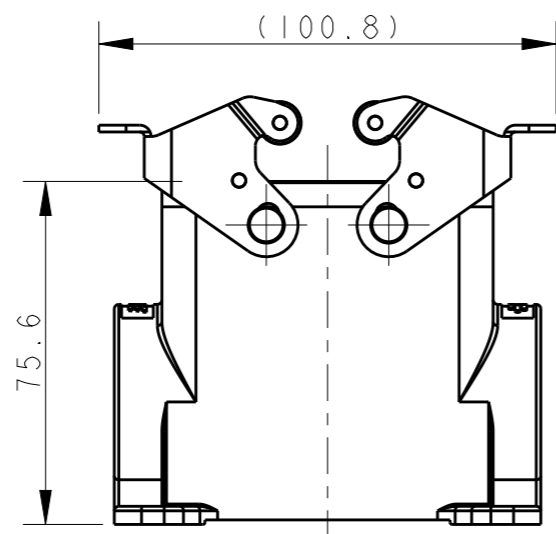
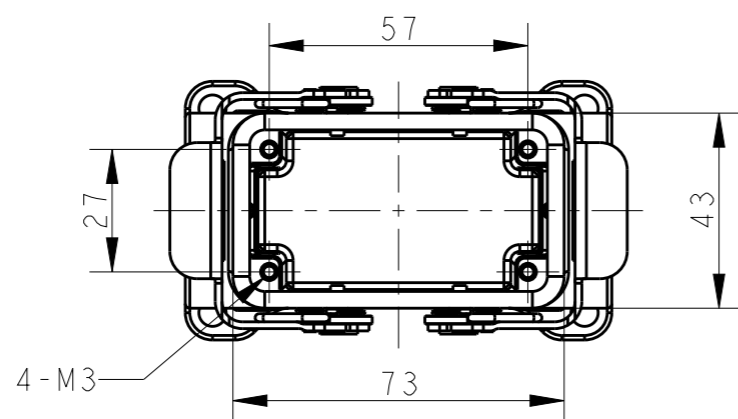
20

© COPYRIGHT 20 BY -

ALL RIGHTS RESERVED.

REVISIONS

P	LTR	DESCRIPTION	DATE	DWN	APVD
	A	INITIAL RELEASE	25JUN2015	DL	CW




NOTES:
 1. TECHNICAL CHARACTERISTICS:
 BODY MATERIAL: DIE CAST ALUMINIUM ALLOY
 SURFACE TREATMENT: POWDER-COATED, GRAY
 OPERATION TEMPERATURE: -40-+125°C
 DEGREE OF PROTECTION: IP65 (MATED)

注释:
 1. 技术参数:
 主体材料: 铝合金
 表面处理: 粉末喷涂, 灰色
 工作温度: -40-+125°C
 防护等级: IP65(配合)

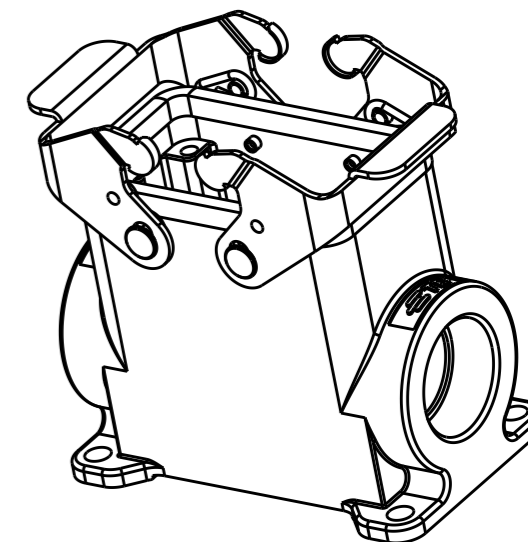
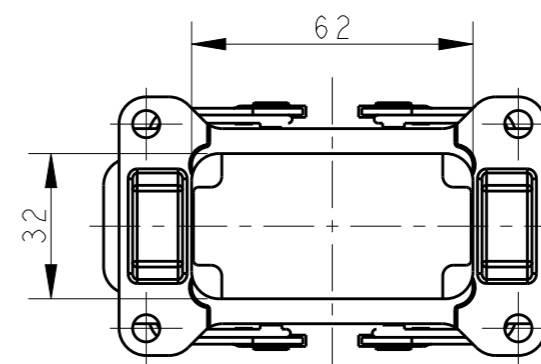
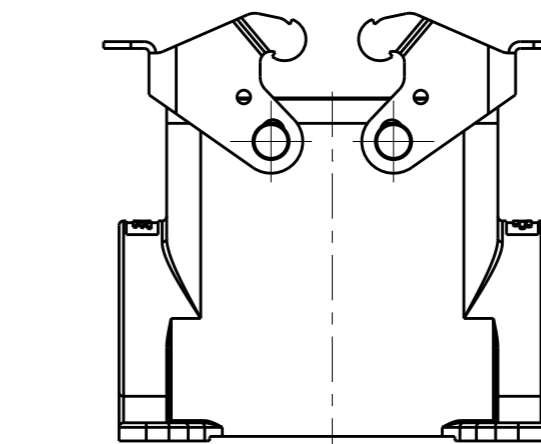
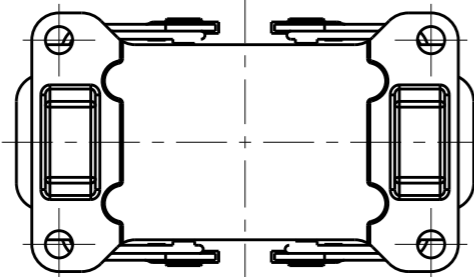
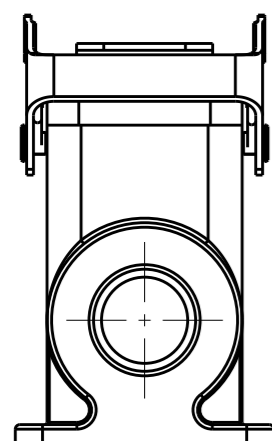
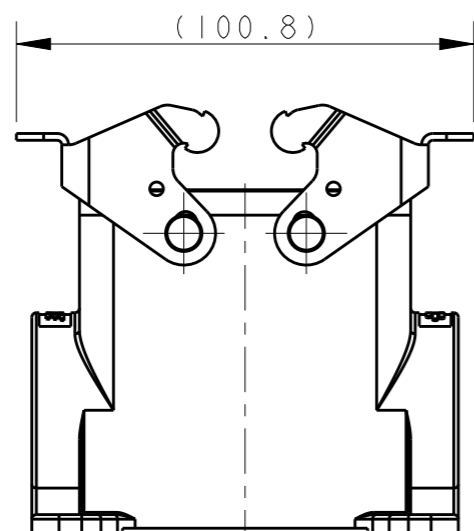
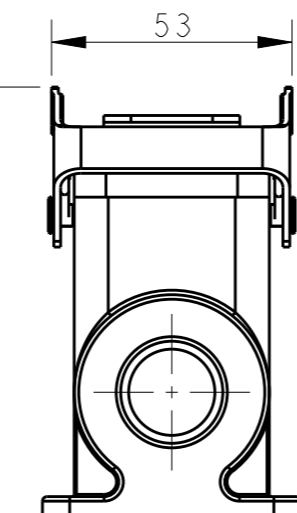
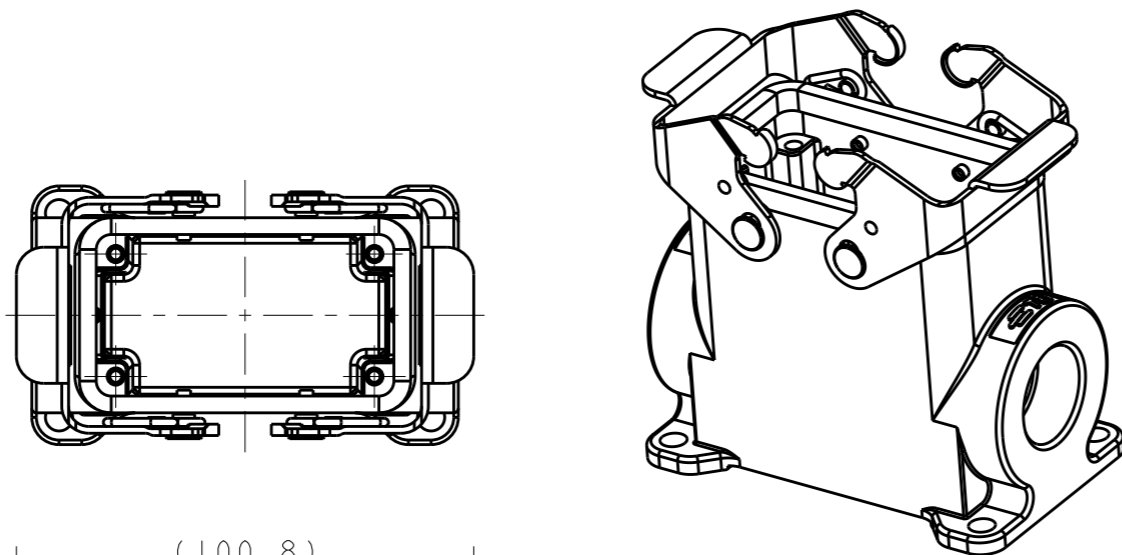
TYPE 1: HIGH BODY + DOUBLE STAINLESS STEEL LOCKING

TI470101121-000	TYPE 1	H10B-SGRHS-PG21	PG21	-
TI470101129-000		H10B-SGRHS-PG29	PG29	-
TI470101132-000		H10B-SGRHS-M32	M32	-
TI470101221-000		H10B-SGRHS-2PG21	PG21	PG21
TI470101229-000		H10B-SGRHS-2PG29	PG29	PG29
TI470101232-000		H10B-SGRHS-2M32	M32	M32
ASSEMBLY PART NUMBER	TYPE	ASSEMBLY PART DESCRIPTION	IG1	IG2

THIS DRAWING IS A CONTROLLED DOCUMENT.		DWN	DAVID LI	25JUN2015	 TE Connectivity	
DIMENSIONS: mm		CHK	CHRIS WANG	25JUN2015		
TOLERANCES UNLESS OTHERWISE SPECIFIED:		APVD	XU XIANG	25JUN2015		
0 PLC ±- 1 PLC ±- 2 PLC ±- 3 PLC ±- 4 PLC ±- ANGLES ±-		PRODUCT SPEC	108-137013			
MATERIAL TBD		APPLICATION SPEC	114-137013		NAME	H10B-SGRHS-PG/M
FINISH -		WEIGHT	-		SIZE	A3
-		CUSTOMER DRAWING	-		CAGE CODE	-
					DRAWING NO	©-TI47010XXXX000
					RESTRICTED TO	-
					SCALE	3:5
					SHEET	1 OF 2
					REV	A

REVISIONS

P	LTR	DESCRIPTION	DATE	DWN	APVD
-	-	SEE SHEET 1	-	-	-



TYPE 2: HIGH BODY + DOUBLE STEEL LOCKING
OTHER SPEC REFER TO TYPE 1

TYPE 3: HIGH BODY + DOUBLE STEEL LOCKING
BOTTOM CUT OUT
OTHER SPEC REFER TO TYPE 2

T1470102116-000	TYPE 2	H10B-SGRH-PG16	PG16	-
T1470102121-000		H10B-SGRH-PG21	PG21	-
T1470102125-000		H10B-SGRH-M25	M25	-
T1470102129-000		H10B-SGRH-PG29	PG29	-
T1470102132-000		H10B-SGRH-M32	M32	-
T1470102221-000		H10B-SGRH-2PG21	PG21	PG21
T1470102225-000		H10B-SGRH-2M25	M25	M25
T1470102229-000		H10B-SGRH-2PG29	PG29	PG29
T1470102232-000		H10B-SGRH-2M32	M32	M32
T1470100000-000		TYPE 3	H10B-SGRH	-
ASSEMBLY PART NUMBER	TYPE	ASSEMBLY PART DESCRIPTION	IG1	IG2

THIS DRAWING IS A CONTROLLED DOCUMENT.		DWN DAVID LI 25JUN2015	TE Connectivity			
DIMENSIONS: mm		CHK CHRIS WANG 25JUN2015				
TOLERANCES UNLESS OTHERWISE SPECIFIED:		APVD XU XIANG 25JUN2015				
0 PLC ±- 1 PLC ±- 2 PLC ±- 3 PLC ±- 4 PLC ±- ANGLES ±-		NAME H10B-SGRH-PG/M				
MATERIAL TBD		PRODUCT SPEC 108-137013	SIZE A3	CAGE CODE -	DRAWING NO. ©-T147010XXXX000	RESTRICTED TO -
FINISH -		APPLICATION SPEC 114-137013	SCALE 3:5		SHEET 2 OF 2	REV A
CUSTOMER DRAWING		WEIGHT -				