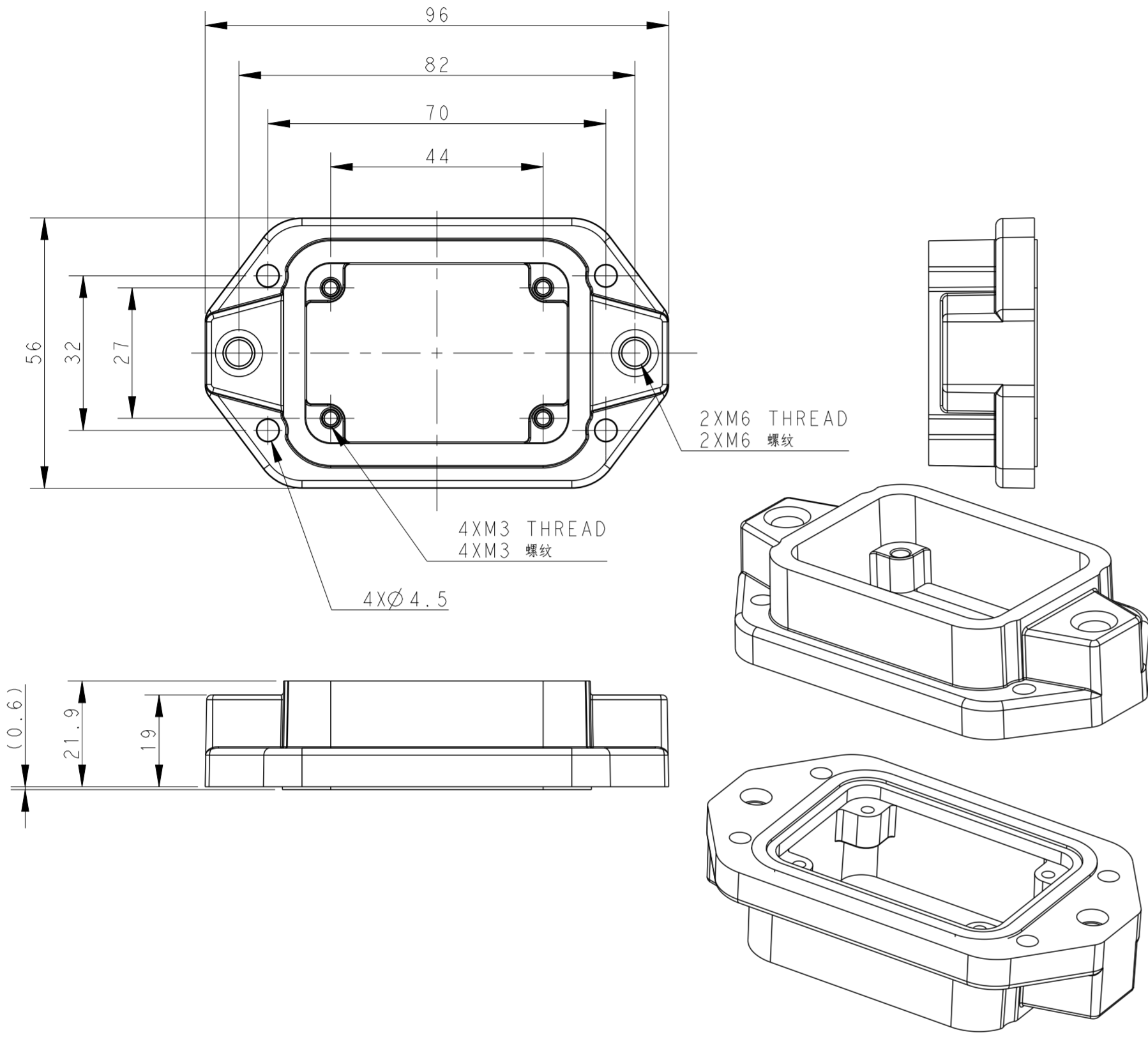


THIS DRAWING IS UNPUBLISHED. RELEASED FOR PUBLICATION 20
 © COPYRIGHT 20 BY - ALL RIGHTS RESERVED.

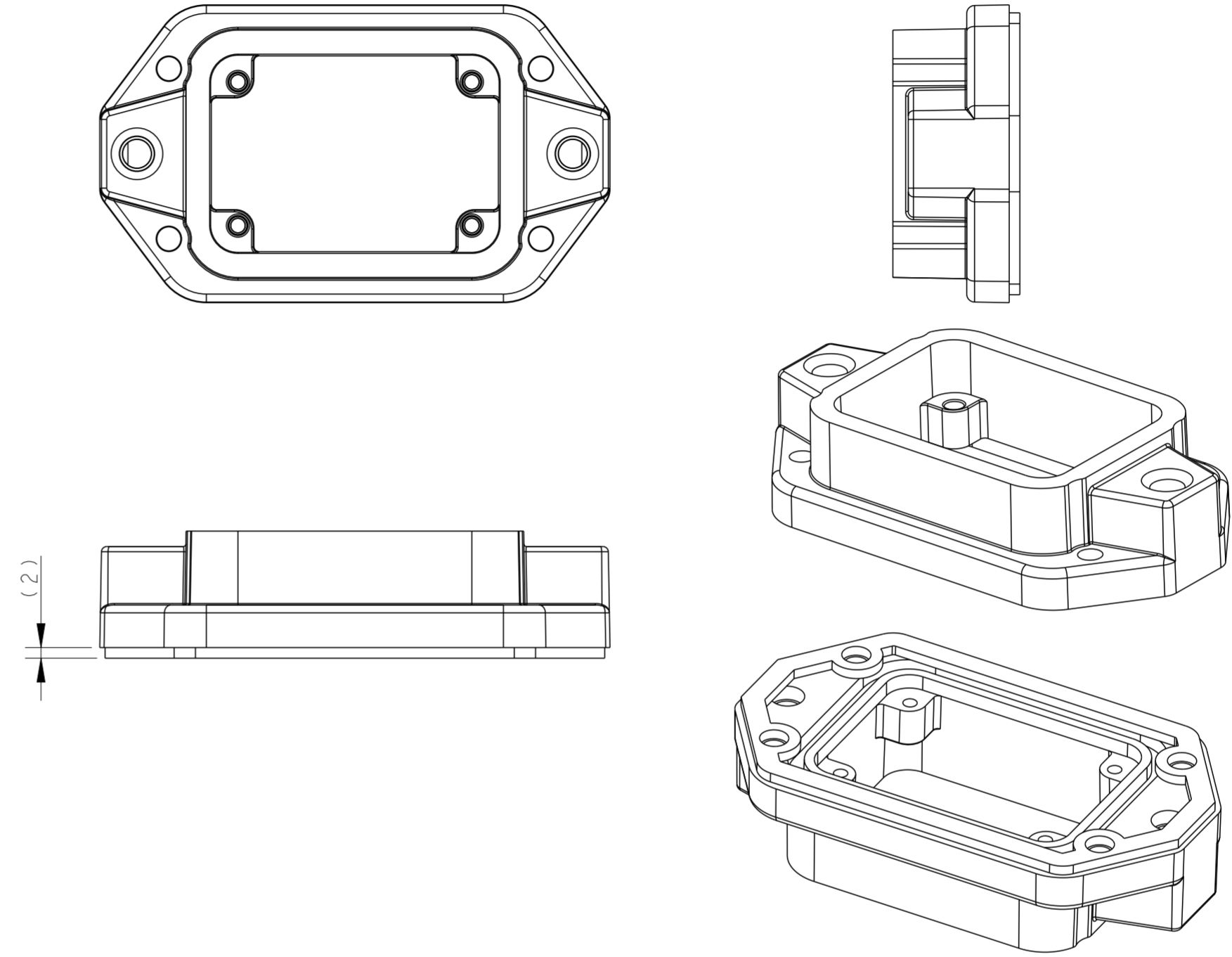
Housing assemble with seal
 下壳带密封圈

TYPE 1 / 类型 1



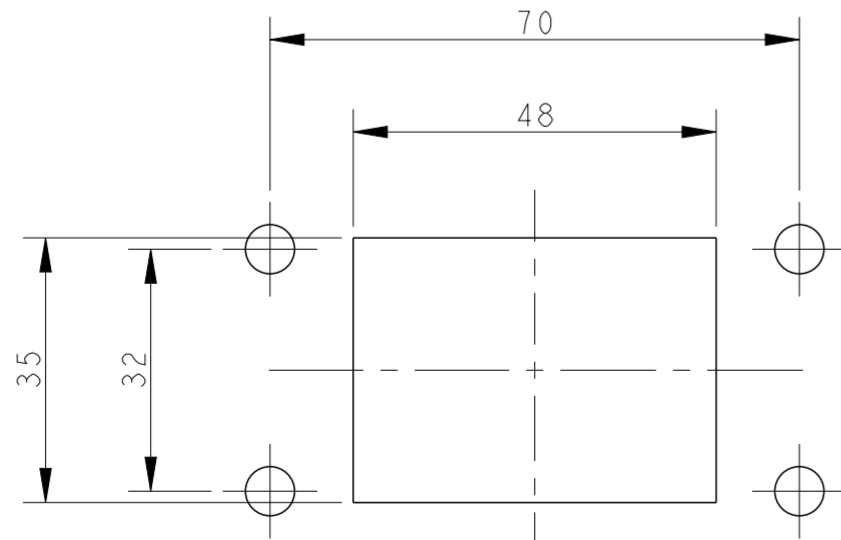
TYPE 2 / 类型 2

Housing assemble with gasket
 下壳带垫片



All dimension is same as TYPE 1, except those defined in this TYPE
 除了已定义的尺寸外, 其他尺寸参考类型1

REVISIONS				
P	LTR	DESCRIPTION	DATE	APVD
A		INITIAL RELEASE	07JUN2015	GY CW
A1		ECR-18-011999	02AUG2018	WOR CW



Panel Cut Out

NOTES:
 1. TECHNICAL CHARACTERISTICS:
 HOUSING MATERIAL: DIE CAST ALUMINIUM ALLOY
 SURFACE TREATMENT: SEE TABLE
 DEGREE OF PROTECTION: IP68 (MATED)

注释
 1. 技术参数:
 壳体材料: 铝合金
 表面处理: 见表格
 防护等级: IP68 (配合)

THIS DRAWING IS A CONTROLLED DOCUMENT.		DWN Gino Yao 06 JUN 2015	STE TE Connectivity	
DIMENSIONS: mm		CHK Chris Wang 06 JUN 2015		
TOLERANCES UNLESS OTHERWISE SPECIFIED:		APVD Xiang Xu 06 JUN 2015	NAME H6BPR-AGC	
0 PLC ±		PRODUCT SPEC 108-137014	SIZE A2	
1 PLC ±		APPLICATION SPEC 114-137014	CAGE CODE -	DRAWING NO G-T193206XXXXX00
2 PLC ±		WEIGHT -	RESTRICTED TO -	
3 PLC ±		MATERIAL -	SCALE 1:1	SHEET 1 OF 2
4 PLC ±		FINISH -	REV A1	
ANGLES ±		Customer Drawing		


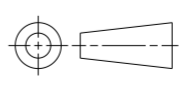
THIS DRAWING IS UNPUBLISHED. RELEASED FOR PUBLICATION 20
 © COPYRIGHT 20 BY - ALL RIGHTS RESERVED.

REVISIONS				
P	LTR	DESCRIPTION	DATE	APVD
-		SEE SHEET 1	-	-

NOTE:
SEE SHEET 1

注释:
见表 1

PART NUMBER 料号	SURFACE TREATMEN 表面处理	H6BPR-AGC	PART DESCRIPTION 描述	TYPE 类型
T1932062001-000	POWDER COATED, GRAY 表面喷涂, 灰色	H6BPR-AGC	H6BPR HOUSING, CENTER LOCKING, BULKHEAD MOUNTED, POWDER COATED, GREY, SEAL FIXED BY GLUE H6BPR下壳, 中部锁定, 开孔安装, 灰色粉末喷涂, 带密封垫	TYPE 2
T1932061001-000	POWDER COATED, SILVER WHITE 表面喷涂, 银白色	H6BPR-AGC	H6BPR HOUSING, CENTER LOCKING, BULKHEAD MOUNTED, POWDER COATED, SILVER WHITE, SEAL FIXED BY GLUE H6BPR下壳, 中部锁定, 开孔安装, 银白色粉末喷涂, 带密封垫	
T1932060001-000	POWDER COATED, BLACK 表面喷涂, 黑色	H6BPR-AGC	H6BPR HOUSING, CENTER LOCKING, BULKHEAD MOUNTED, POWDER COATED, BLACK, SEAL FIXED BY GLUE H6BPR下壳, 中部锁定, 开孔安装, 黑色粉末喷涂, 带密封垫	
T1932062000-001	POWDER COATED, DEEP GRAY 表面喷涂, 深灰色	H6BPR-AGC	H6BPR HOUSING, CENTER LOCKING, BULKHEAD MOUNTED, POWDER COATED, DEEP GREY H6BPR下壳, 中部锁定, 开孔安装, 深灰色粉末喷涂	TYPE 1
T1932062000-000	POWDER COATED, GRAY 表面喷涂, 灰色	H6BPR-AGC	H6BPR HOUSING, CENTER LOCKING, BULKHEAD MOUNTED, POWDER COATED, GREY H6BPR下壳, 中部锁定, 开孔安装, 灰色粉末喷涂	
T1932061000-000	POWDER COATED, SILVER WHITE 表面喷涂, 银白色	H6BPR-AGC	H6BPR HOUSING, CENTER LOCKING, BULKHEAD MOUNTED, POWDER COATED, SILVER WHITE H6BPR下壳, 中部锁定, 开孔安装, 银白色粉末喷涂	
T1932060000-000	POWDER COATED, BLACK 表面喷涂, 黑色	H6BPR-AGC	H6BPR HOUSING, CENTER LOCKING, BULKHEAD MOUNTED, POWDER COATED, BLACK H6BPR下壳, 中部锁定, 开孔安装, 黑色粉末喷涂	

THIS DRAWING IS A CONTROLLED DOCUMENT.		DWN Gino Yao 06 JUN 2015	 TE Connectivity	
		CHK Chris Wang 06 JUN 2015		
		APVD Xiang Xu 06 JUN 2015	NAME H6BPR-AGC	
DIMENSIONS: mm		TOLERANCES UNLESS OTHERWISE SPECIFIED:		PRODUCT SPEC 108-137014
		0 PLC ±- 1 PLC ±- 2 PLC ±- 3 PLC ±- 4 PLC ±- ANGLES ±- FINISH -		APPLICATION SPEC 114-137014
MATERIAL -		WEIGHT -		SCALE A2
		Customer Drawing		RESTRICTED TO -
		SCALE 1:1		SHEET 2 OF 2
				REV A1