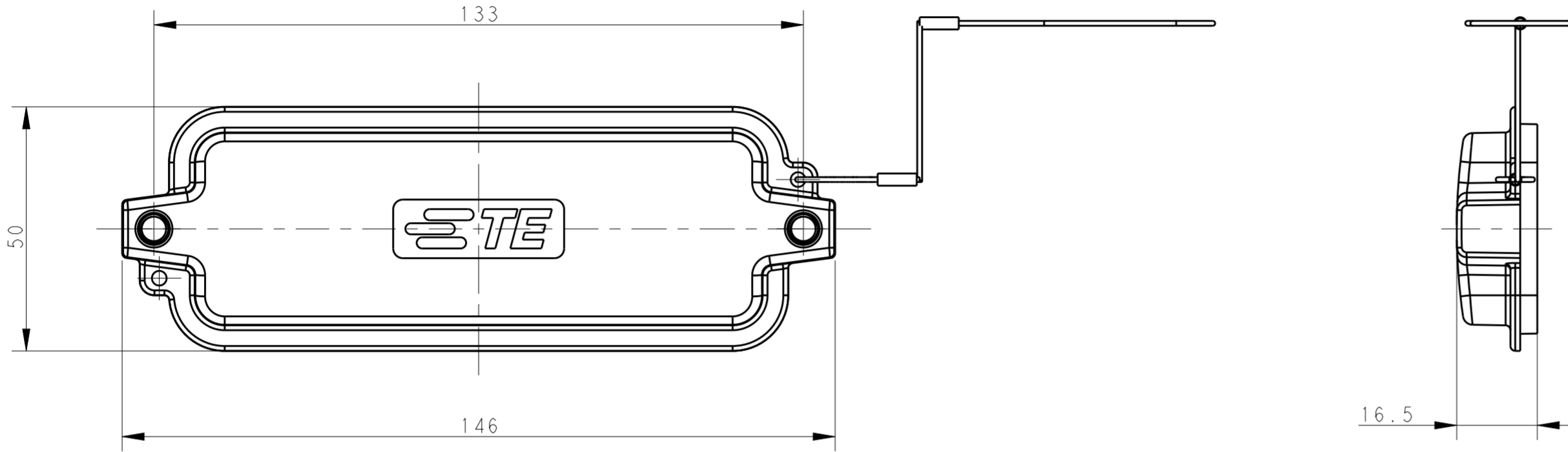


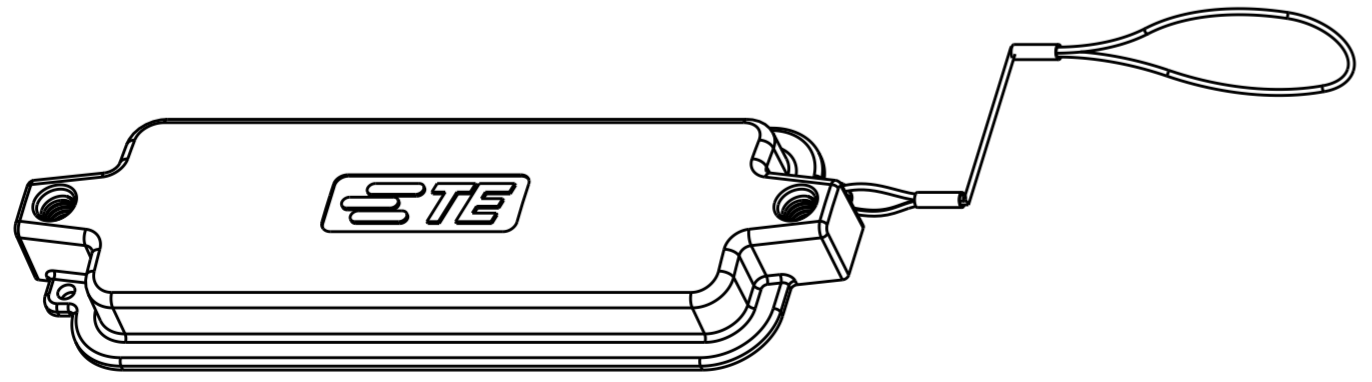
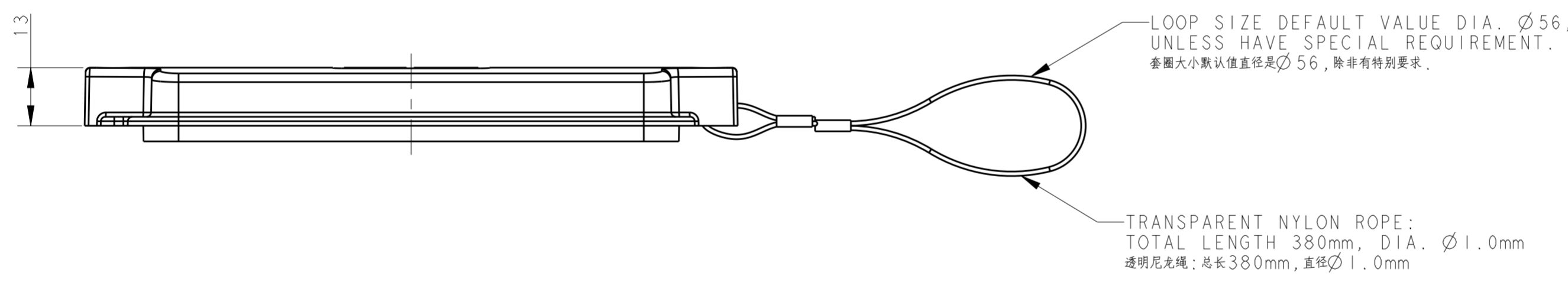
THIS DRAWING IS UNPUBLISHED. RELEASED FOR PUBLICATION 20  
 © COPYRIGHT 20 BY - ALL RIGHTS RESERVED.

REVISIONS					
P	LTR	DESCRIPTION	DATE	DWN	APVD
	A	INITIAL	03MAY2017	BS	CW
	A1	ECR-17-007543	02JUN2017	CH	CW



NOTES:  
 1. TECHNICAL CHARACTERISTICS:  
 PROTECTION COVER MATERIAL: ABS  
 DEGREE OF PROTECTION: IP65 (MATED)

注释:  
 1. 技术参数:  
 保护盖材料: ABS  
 防护等级: IP65(配合)



T1012241101-000		H24BK-KDTP		H24BK HOOD PLASTIC PROTECTION COVER, CENTER LOCKING, IP65, WITHOUT SEALING, NYLON ROPE, WHITE H24BK上壳中部锁定塑料保护盖, IP65, 不带密封, 尼龙绳, 白色			
PART NUMBER 料号		PART DESCRIPTION 描述					
THIS DRAWING IS A CONTROLLED DOCUMENT.				DWN	03MAY2017		
				CHK	GINO YAO 03MAY2017		
				APVD	CHRIS WANG 03MAY2017		
DIMENSIONS:				TOLERANCES UNLESS OTHERWISE SPECIFIED:			
mm				0 PLC ±			
				1 PLC ±			
				2 PLC ±			
				3 PLC ±			
				4 PLC ±			
				ANGLES ±			
MATERIAL				FINISH			
				PRODUCT SPEC			
				APPLICATION SPEC			
				WEIGHT			
				SIZE			
				CAGE CODE			
				DRAWING NO			
				RESTRICTED TO			
				A2			
				G-T1012241101000			
CUSTOMER DRAWING				SCALE		SHEET	
				1:1		OF 1	
						REV A1	