

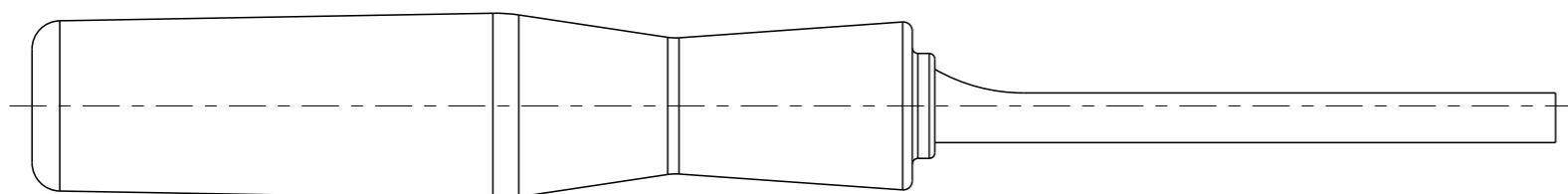
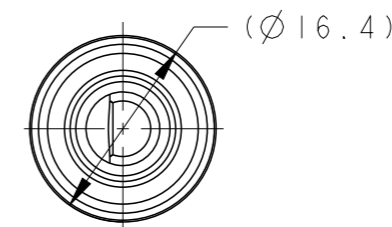
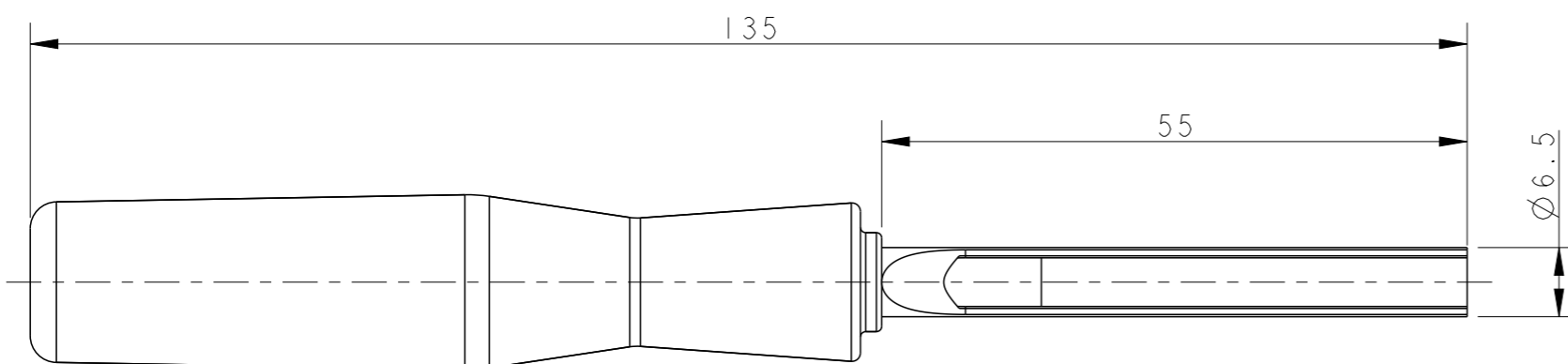
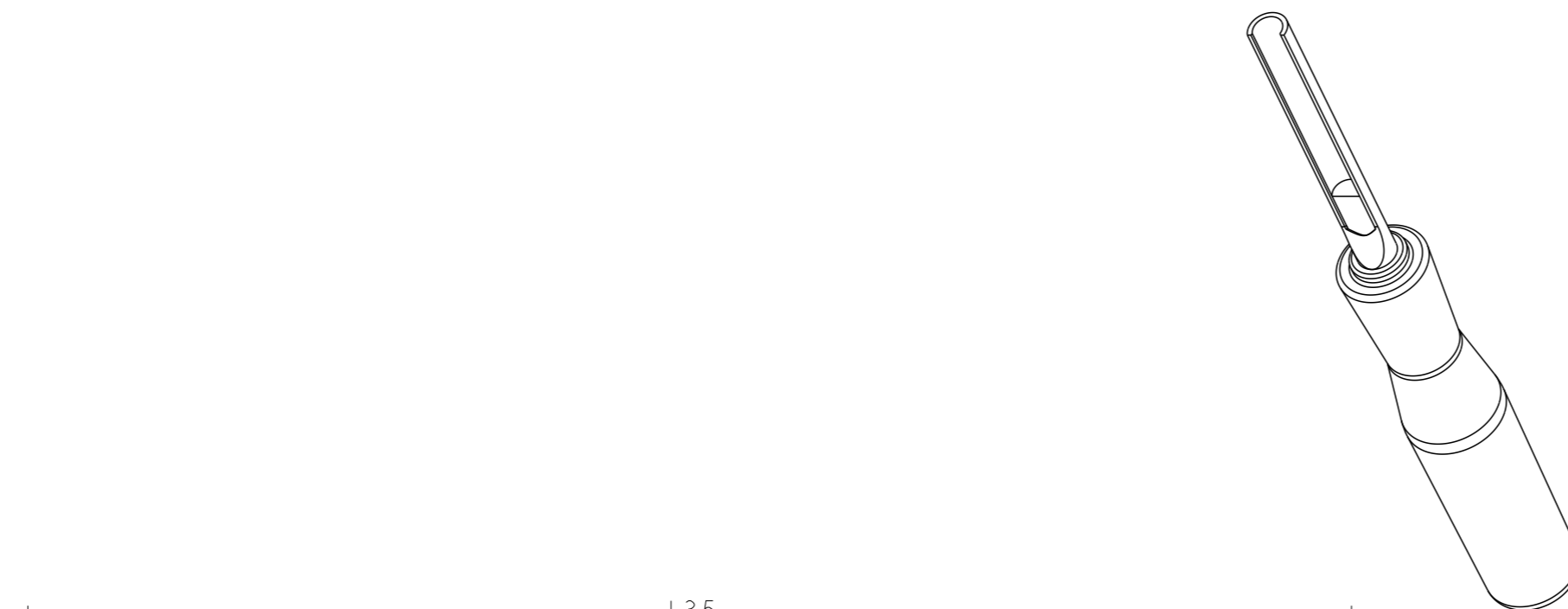
REVISIONS

P	LTR	DESCRIPTION	DATE	DWN	APVD
	A	INITIAL RELEASE	23FEB2019	WQR	CW

NOTES:

1. TECHNICAL CHARACTERISTICS:
HANDLE MATERIAL: BLACK PLASTIC
TIP MATERIAL: STEEL
PRODUCT DESIGNED FOR 40A CONTACTS
(CMM/CMF, DMM/DMF).

1. 技术参数:
手柄材料: 黑色塑料
尖端材料: 铁
产品适用于40A插针(CMM/CMF, DMM/DMF).



T3100000013-000	REMOV-MM	MM REMOVE TOOL MM 退针器
PART NUMBER 料号	PART DESCRIPTION 描述	

THIS DRAWING IS A CONTROLLED DOCUMENT.		DWN 23FEB2019 WENQING RAO														
DIMENSIONS: mm		CHK 23FEB2019 GINO YAO														
TOLERANCES UNLESS OTHERWISE SPECIFIED:		APVD 23FEB2019 CHRIS WANG	NAME REMOV-MM													
<table border="1"> <tr><td>0 PLC</td><td>±-</td></tr> <tr><td>1 PLC</td><td>±-</td></tr> <tr><td>2 PLC</td><td>±-</td></tr> <tr><td>3 PLC</td><td>±-</td></tr> <tr><td>4 PLC</td><td>±-</td></tr> <tr><td>ANGLES</td><td>±-</td></tr> </table>		0 PLC	±-	1 PLC	±-	2 PLC	±-	3 PLC	±-	4 PLC	±-	ANGLES	±-	PRODUCT SPEC -	RESTRICTED TO	
0 PLC	±-															
1 PLC	±-															
2 PLC	±-															
3 PLC	±-															
4 PLC	±-															
ANGLES	±-															
MATERIAL -		APPLICATION SPEC -	SIZE A3	CAGE CODE -												
FINISH -		WEIGHT -	DRAWING NO G-T3100000013000													
CUSTOMER DRAWING			SCALE 3:2	SHEET 1 OF 1												
			REV A													