

THIS DRAWING IS UNPUBLISHED.

RELEASED FOR PUBLICATION

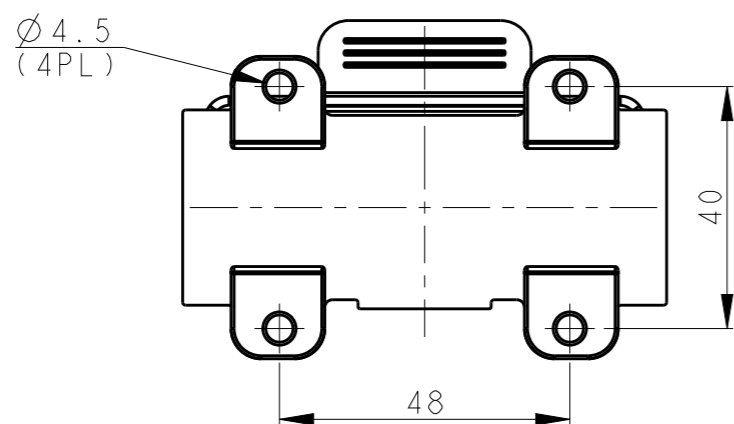
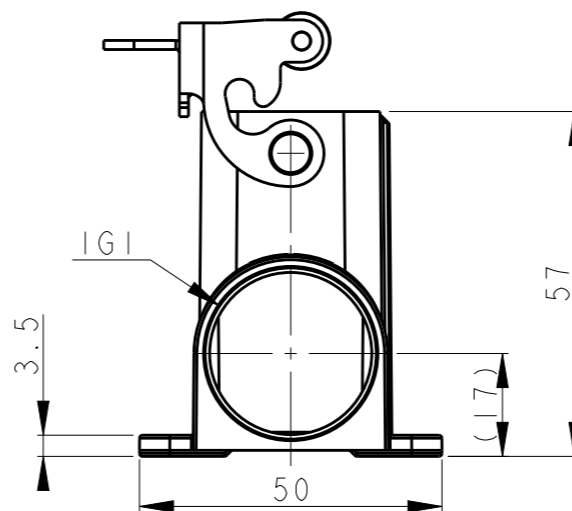
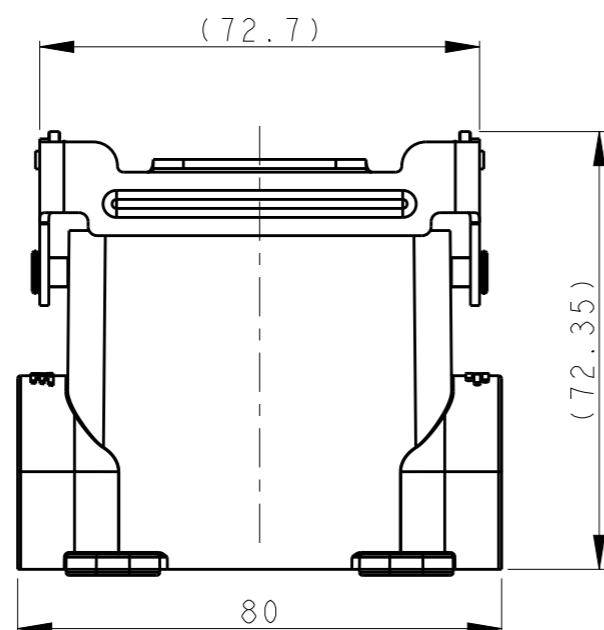
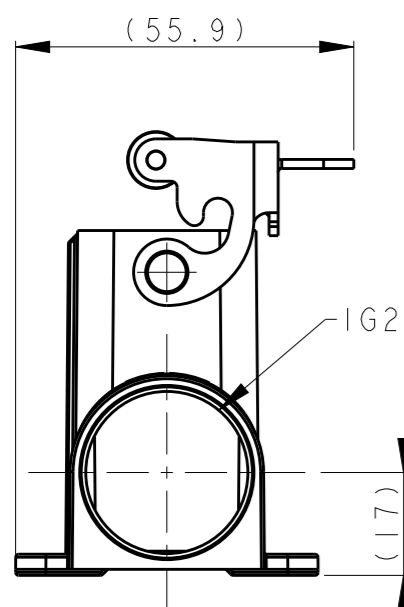
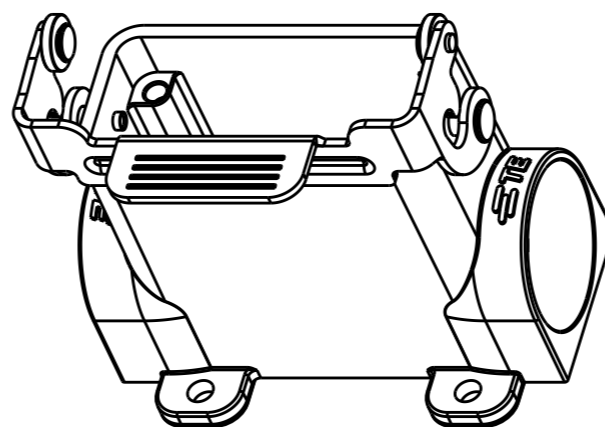
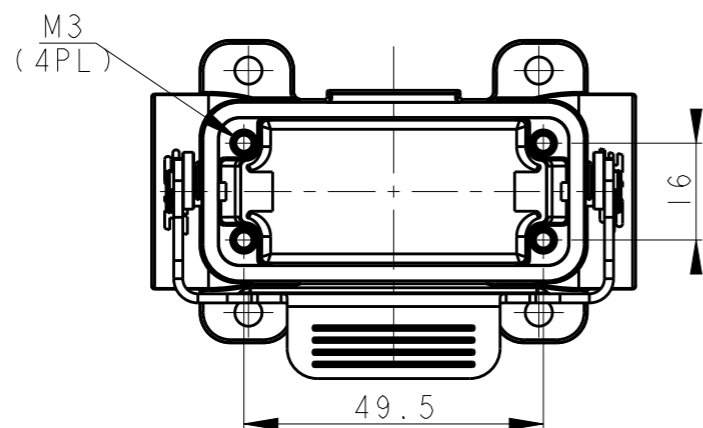
20

© COPYRIGHT 20 BY -

ALL RIGHTS RESERVED.

REVISIONS

P	LTR	DESCRIPTION	DATE	DWN	APVD
	A	INITIAL RELEASE	24APR2015	DL	CW



NOTES:

- 1. TECHNICAL CHARACTERISTICS:
 BODY MATERIAL: DIE CAST ALUMINIUM ALLOY
 SURFACE TREATMENT: POWDER-COATED, GRAY
 OPERATION TEMPERATURE: -40-+125°C
 DEGREE OF PROTECTION: IP65 (MATED)

注释:

- 1. 技术参数:
 主体材料: 铝合金
 表面处理: 粉末喷涂, 灰色
 工作温度: -40-+125°C
 防护等级: IP65(配合)

T1619101116-000	H10A-SGRS-PG16	PG16	-
T1619101120-000	H10A-SGRS-M20	M20	-
T1619101121-000	H10A-SGRS-PG21	PG21	-
T1619101125-000	H10A-SGRS-M25	M25	-
T1619101216-000	H10A-SGRS-2PG16	PG16	PG16
T1619101220-000	H10A-SGRS-2M20	M20	M20
T1619101221-000	H10A-SGRS-2PG21	PG21	PG21
T1619101225-000	H10A-SGRS-2M25	M25	M25
ASSEMBLY PART NUMBER	ASSEMBLY PART DESCRIPTION	IG1	IG2

THIS DRAWING IS A CONTROLLED DOCUMENT.

DWN 24APR2015

DAVID LI

CHK 24APR2015

CHRIS WANG

APVD 24APR2015

XU XIANG

PRODUCT SPEC

108-137010

APPLICATION SPEC

114-137010

WEIGHT -

CUSTOMER DRAWING



TE Connectivity

NAME H10A-SGRS-PG/M

SIZE A3 CAGE CODE - DRAWING NO. ©-T1619101XXX000 RESTRICTED TO -

SCALE 4:5 SHEET 1 OF 1 REV A

DIMENSIONS:	TOLERANCES UNLESS OTHERWISE SPECIFIED:
mm	
	0 PLC ±-
	1 PLC ±-
	2 PLC ±-
	3 PLC ±-
	4 PLC ±-
	ANGLES ±-
MATERIAL -	FINISH -