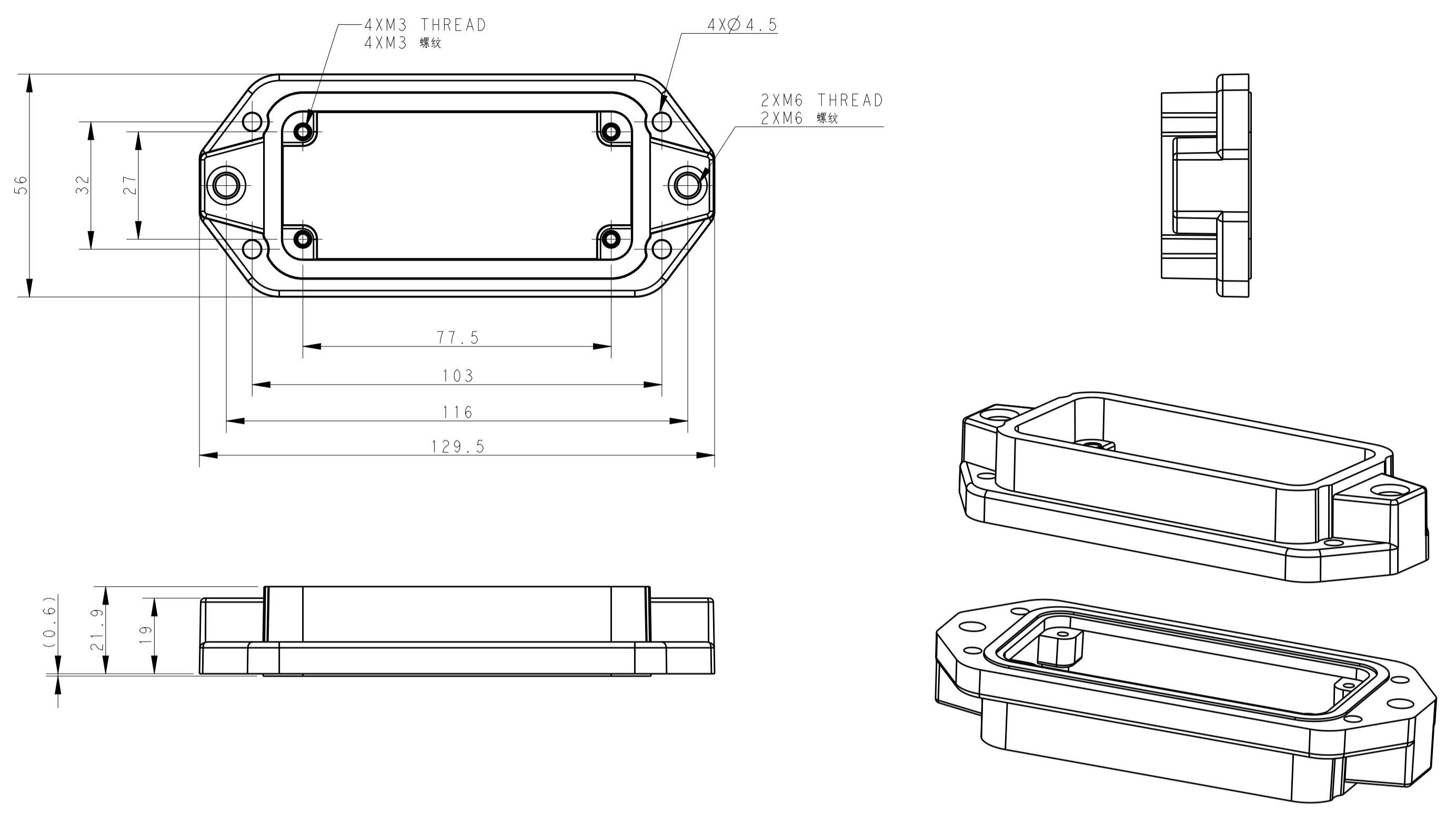


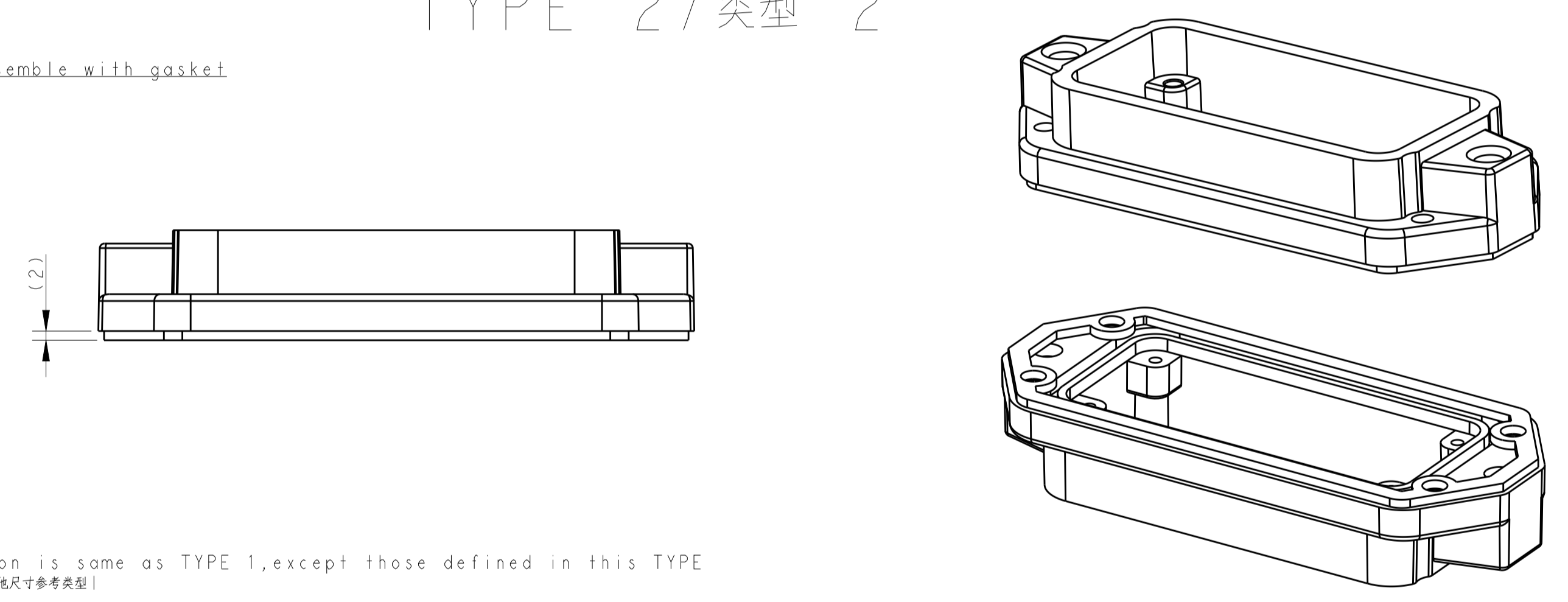
TYPE 1 / 类型 1

Housing assemble with seal
下壳带密封胶



TYPE 2 / 类型 2

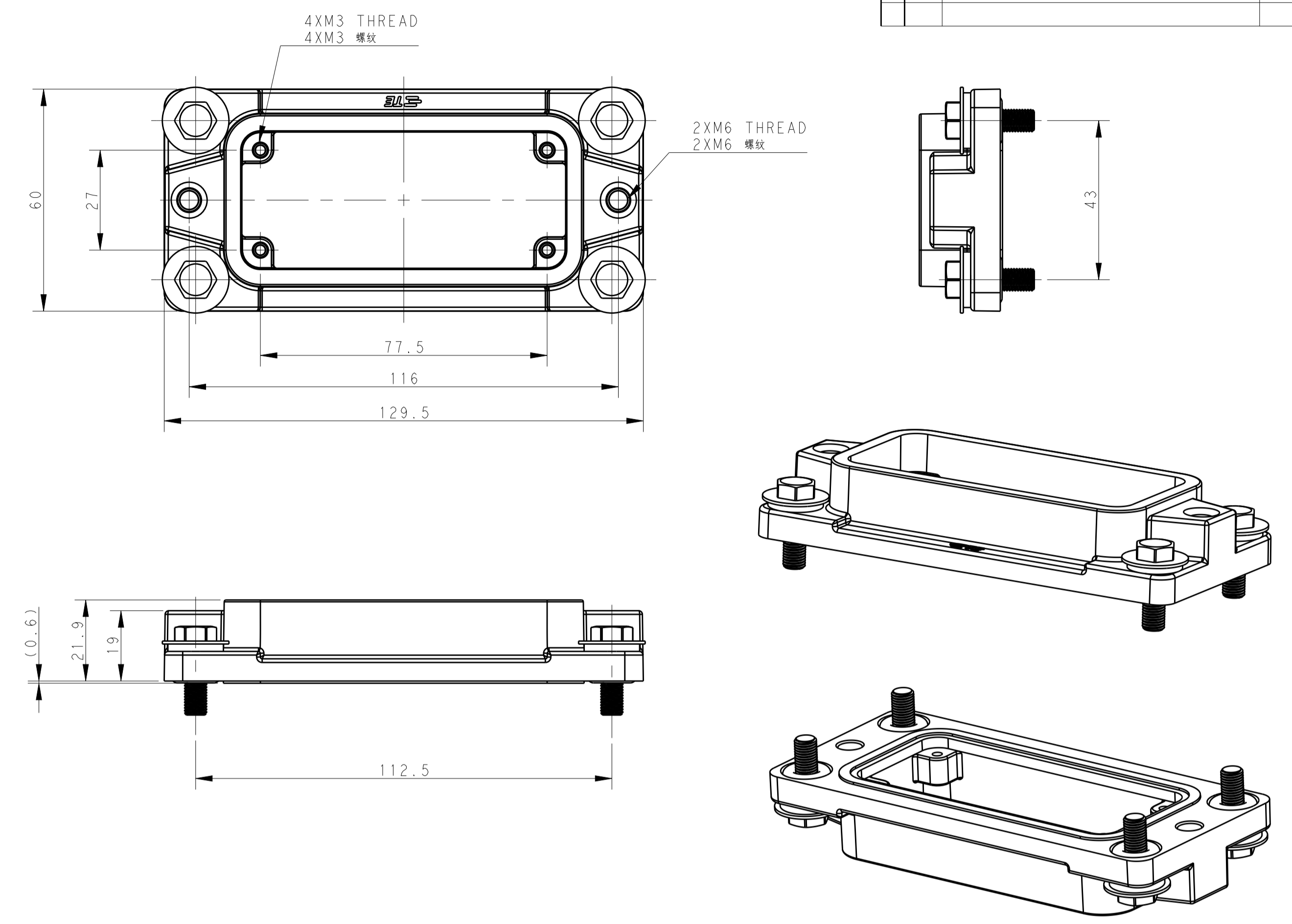
Housing assemble with gasket
下壳带垫片



All dimension is same as TYPE 1, except those defined in this TYPE
除了已定义的尺寸外, 其他尺寸参考类型 1

TYPE 3 / 类型 3

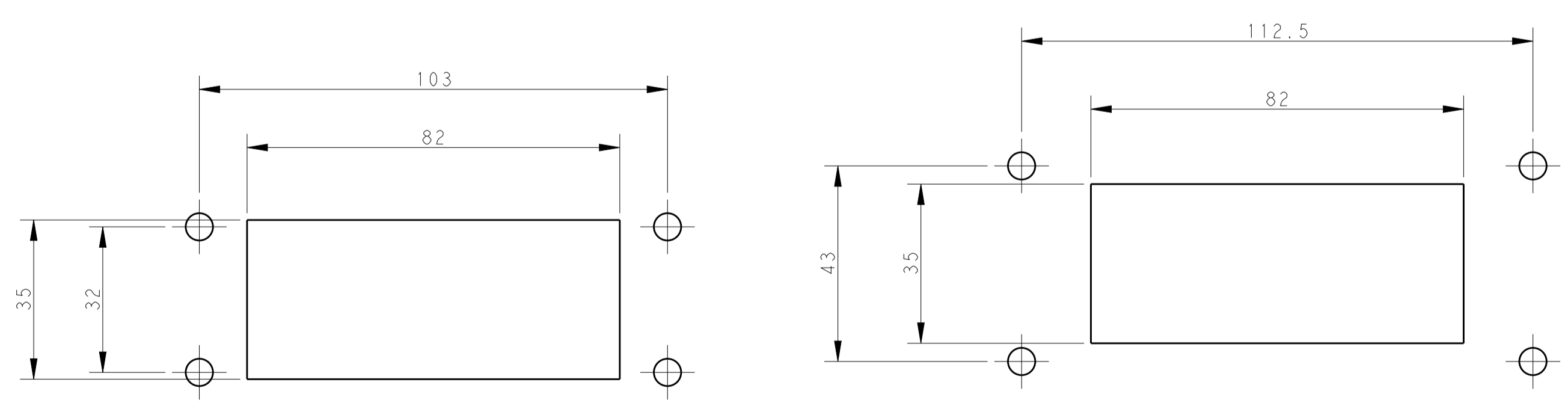
Surface mounting
表面安装



All dimension is same as TYPE 1, except those defined in this TYPE
除了已定义的尺寸外, 其他尺寸参考类型 1

NOTES:
1. TECHNICAL CHARACTERISTICS:
HOUSING MATERIAL: DIE CAST ALUMINIUM ALLOY
SURFACE TREATMENT: SEE TABLE
DEGREE OF PROTECTION: IP68 (MATED)

注释:
1. 技术参数:
壳体材料: 铝合金
表面处理: 见表格
防护等级: IP68 (配合)



Panel Cut Out For TYPE 1&2

Panel Cut Out For TYPE 3

PART NUMBER 料号	SURFACE TREATMENT 表面处理	PART DESCRIPTION 描述	TYPE 类型
T1932160001-000	POWDER COATED, BLACK 表面喷涂, 黑色	H16BPR-AGCT H16BPR HOUSING,CENTER LOCKING,PANEL MOUNTED,POWDER COATED,BLACK H16BPR下壳, 中部锁定, 面板型开孔, 黑色粉末喷涂	TYPE 3
T1932161001-000	POWDER COATED, SILVER WHITE 表面喷涂, 银白色	H16BPR-AGC H16BPR HOUSING,CENTER LOCKING,BULKHEAD MOUNTED,POWDER COATED,SILVER WHITE,SEAL FIXED BY GLUE H16BPR下壳, 中部锁定, 开孔安装, 银白色粉末喷涂, 密封胶	TYPE 2
T1932162000-001	POWDER COATED, DEEP GRAY 表面喷涂, 深灰色	H16BPR-AGC H16BPR HOUSING,CENTER LOCKING,BULKHEAD MOUNTED,POWDER COATED,DEEP GREY H16BPR下壳, 中部锁定, 开孔安装, 深灰色粉末喷涂	TYPE 1
T1932162000-000	POWDER COATED, GRAY 表面喷涂, 灰色	H16BPR-AGC H16BPR HOUSING,CENTER LOCKING,BULKHEAD MOUNTED,POWDER COATED,GRAY H16BPR下壳, 中部锁定, 开孔安装, 灰色粉末喷涂	
T1932161000-000	POWDER COATED, SILVER WHITE 表面喷涂, 银白色	H16BPR-AGC H16BPR HOUSING,CENTER LOCKING,BULKHEAD MOUNTED,POWDER COATED,SILVER WHITE H16BPR下壳, 中部锁定, 开孔安装, 银白色粉末喷涂	
T1932160000-000	POWDER COATED, BLACK 表面喷涂, 黑色	H16BPR-AGC H16BPR HOUSING,CENTER LOCKING,BULKHEAD MOUNTED,POWDER COATED,BLACK H16BPR下壳, 中部锁定, 开孔安装, 黑色粉末喷涂	TYPE 1

THIS DRAWING IS A CONTROLLED DOCUMENT.

STE TE Connectivity

H16BPR-AGC/AGCT

Customer Drawing

SCALE 1:1 SHEET 1 OF 1 REV A1