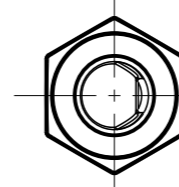
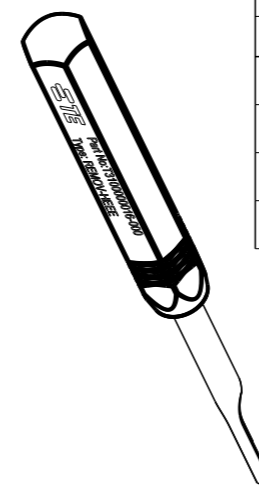
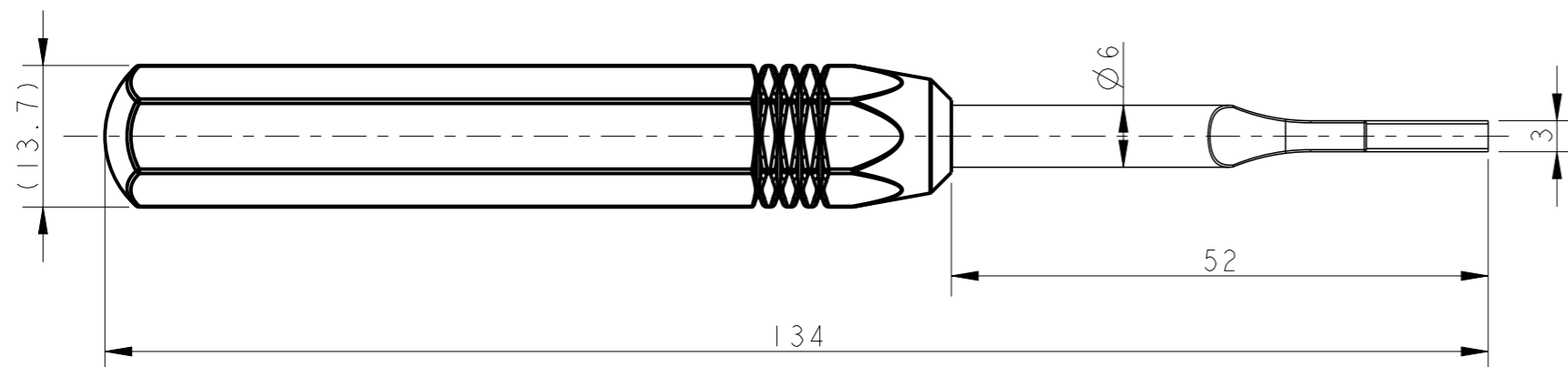
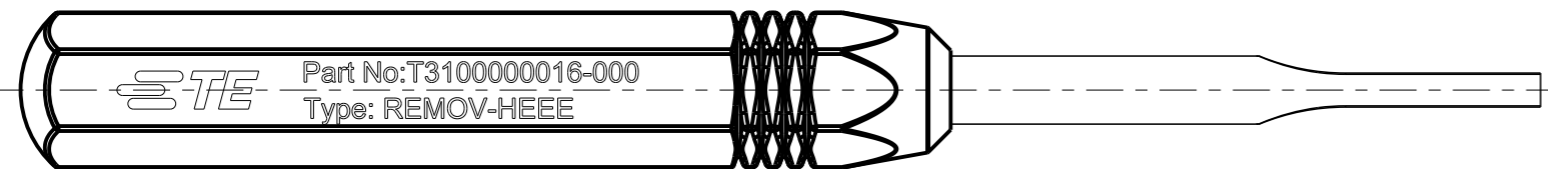


TYPE 1: WITH TE LOGO
类型 1: 带TE LOGO



REVISIONS

| P | LTR | DESCRIPTION | DATE | DWN | APVD |
|---|-----|-----------------|-----------|-----|------|
| | A | INITIAL RELEASE | 23JAN2019 | WQR | CW |
| | A1 | ECR-19-007136 | 05JUN2019 | WQR | CW |
| | | | | | |

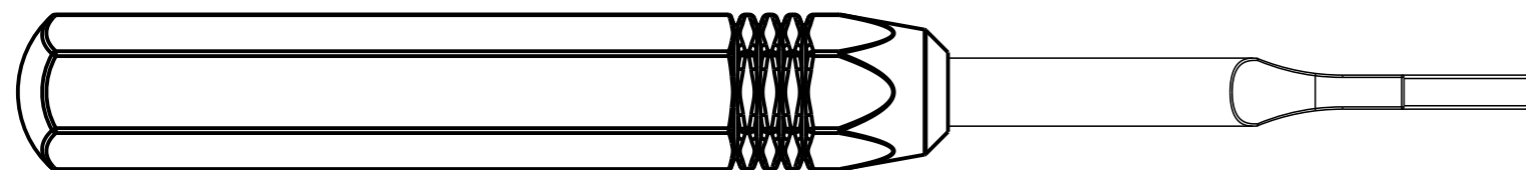
NOTES:

- TECHNICAL CHARACTERISTICS:
HANDLE MATERIAL: ALUMINIUM ALLOY
TIP MATERIAL: STEEL
- PRODUCT DESIGNED FOR 16A CONTACTS (CEM/CEF, DEM/DEF).
PRODUCT DESIGNED FOR HEEE INSERT SERIAL.

注释:


- 技术参数:
手柄材料: 铝合金
尖端材料: 钢
- 产品适用于16A插针(CEM/CEF, DEM/DEF).
产品适用于HEEE系列芯件.

TYPE 2: THIS TYPE IS SAME AS TYPE 1, ONLY NO LOGO
类型 2: 此类型同类型1, 只是无LOGO



| | | | |
|-------------------|------------------------|---|----------------|
| T3100000016-001 | REMOV-HEEE, NO MARKING | HEEE REMOVE TOOL, NO MARKING HEEE 退针器, 未打字 | TYPE 2 类型 2 |
| T3100000016-000 | REMOV-HEEE | HEEE REMOVE TOOL HEEE 退针器 | TYPE 1 类型 1 |
| PART NUMBER 料号 | PART DESCRIPTION 描述 | | TYPE 类型 |

THIS DRAWING IS A CONTROLLED DOCUMENT.

| | | | | |
|-------------------|---|---|---|-------------------------------|
| DIMENSIONS: mm | TOLERANCES UNLESS OTHERWISE SPECIFIED: 0 PLC ±- 1 PLC ±- 2 PLC ±- 3 PLC ±- 4 PLC ±- ANGLES ±- | DWN 23JAN2019 WENQING RAO CHK 23JAN2019 GINO YAO APVD 23JAN2019 CHRIS WANG |  TE Connectivity NAME REMOV-HEEE | |
| MATERIAL - | FINISH - | PRODUCT SPEC - | APPLICATION SPEC - | RESTRICTED TO |
| | | WEIGHT - | SIZE A3 | CAGE CODE - |
| | | DRAWING NO G-T310000001600X | | |
| | | CUSTOMER DRAWING | | SCALE 3:2 SHEET 1 OF 1 REV A1 |