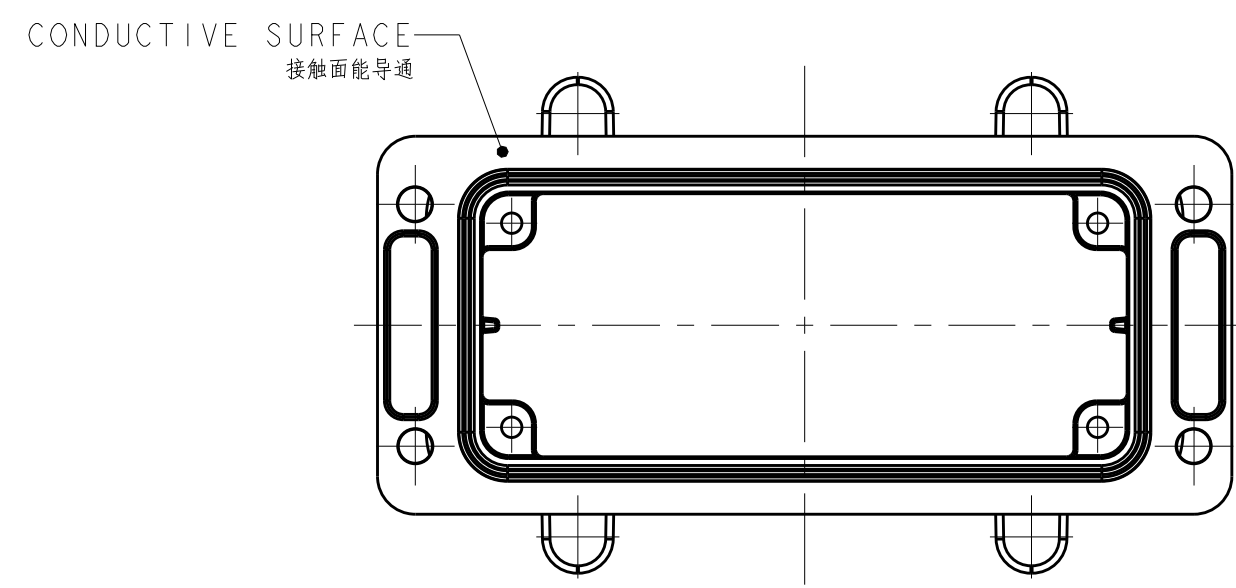
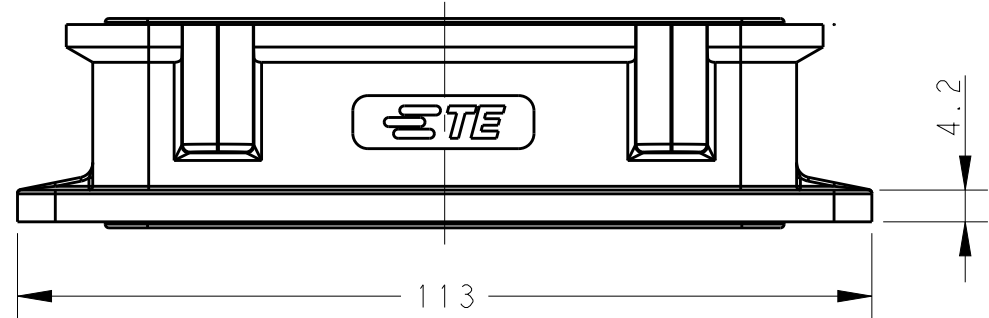
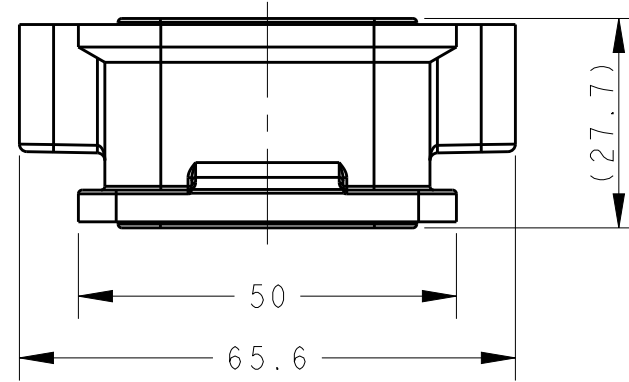
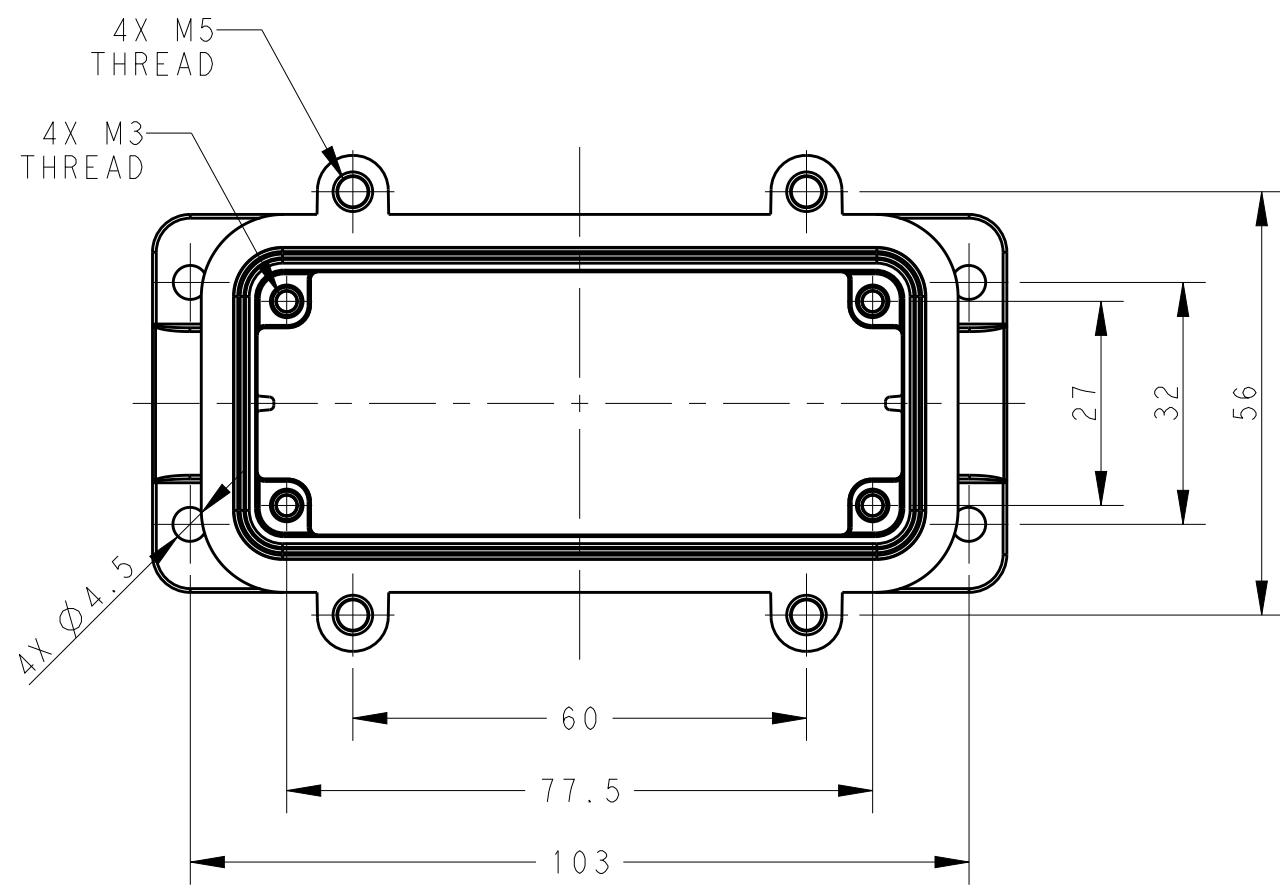
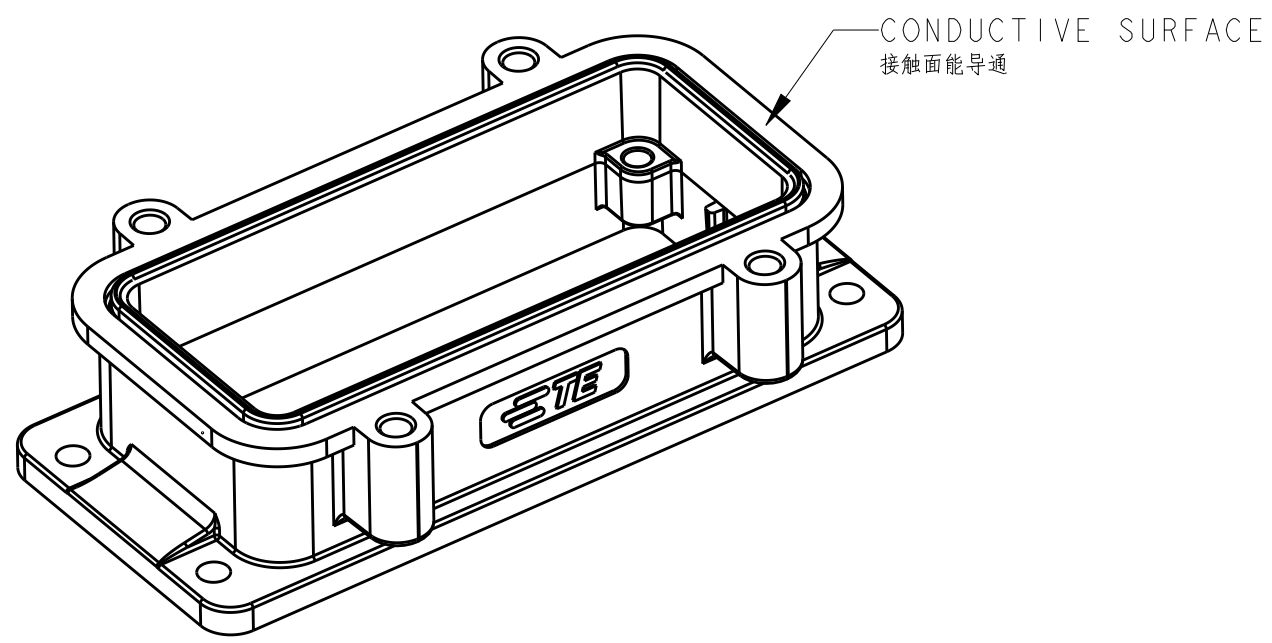


THIS DRAWING IS UNPUBLISHED. RELEASED FOR PUBLICATION 20
 © COPYRIGHT 20 BY - ALL RIGHTS RESERVED.

REVISIONS				
P	LTR	DESCRIPTION	DATE	APVD
	A	INITIAL	19FEB2016	DW CW



NOTES:

- 1. TECHNICAL CHARACTERISTICS:
 HOUSING MATERIAL: DIE CAST ALUMINIUM ALLOY
 SURFACE: POWDER COATED, GREY
 DEGREE OF PROTECTION: IP67 (MATED)

注释:

- 1. 技术参数:
 下壳材料: 铝合金
 表面处理: 粉末涂层, 灰色
 防护等级: IP67 (配合)

THIS DRAWING IS A CONTROLLED DOCUMENT.		DWN 19FEB2016 DAVID WANG	STE TE Connectivity	
		CHK 19FEB2016 CHRIS WANG		
DIMENSIONS:		APVD 19FEB2016 XIANG XU	NAME H16B-AG-EMCS-N	
mm		PRODUCT SPEC	SIZE CAGE CODE DRAWING NO RESTRICTED TO	
TOLERANCES UNLESS OTHERWISE SPECIFIED:		108-137015	A200779 C-T1695160000001	
0 PLC ±		APPLICATION SPEC	SCALE 1:1 SHEET 1 OF 1 REV A	
1 PLC ±		114-137015		
2 PLC ±		WEIGHT -		
3 PLC ±		CUSTOMER DRAWING		
4 PLC ±				
ANGLES ±				
FINISH -				
-				