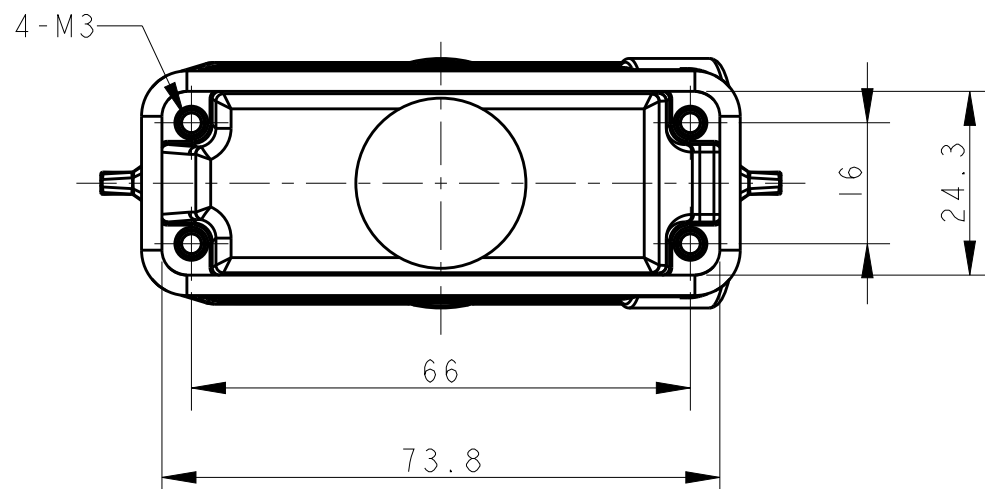
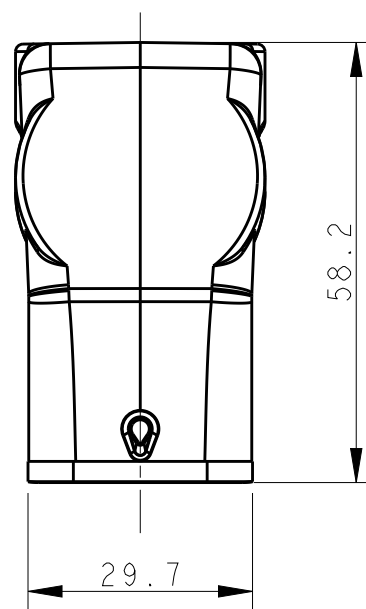
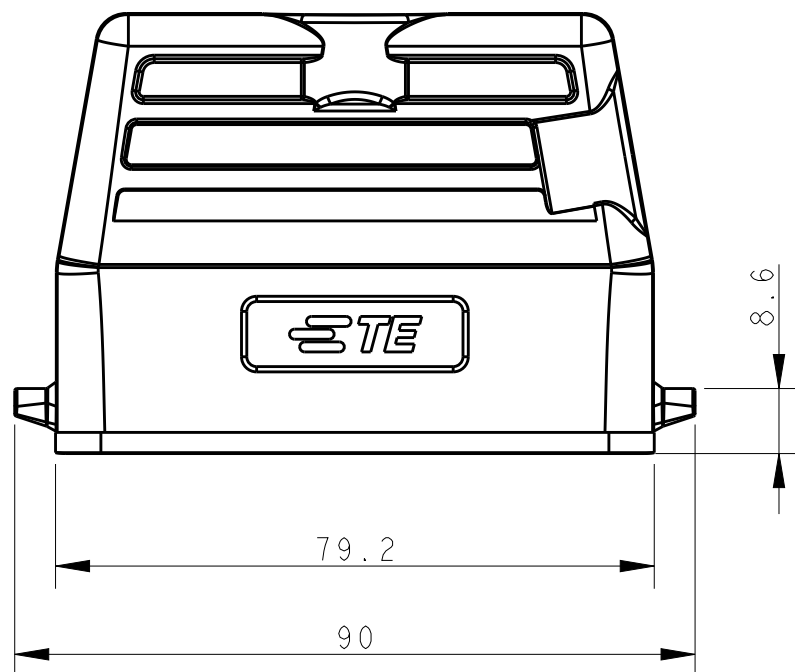
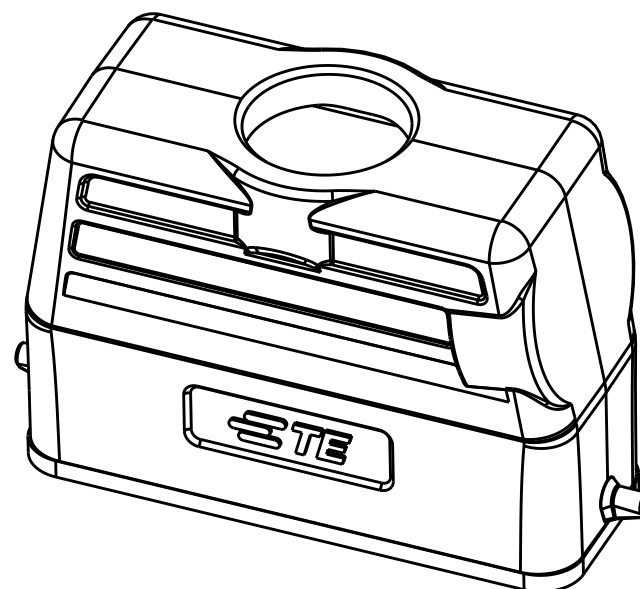
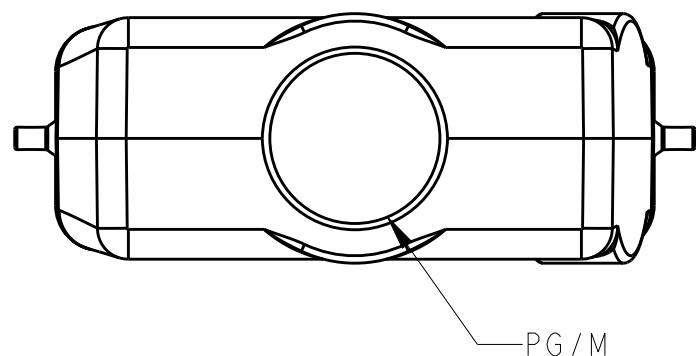


THIS DRAWING IS UNPUBLISHED. RELEASED FOR PUBLICATION 20
 © COPYRIGHT 20 BY - ALL RIGHTS RESERVED.

REVISIONS

P	LTR	DESCRIPTION	DATE	DWN	APVD
	A	INITIAL RELEASE	07MAY2015	DL	CW



NOTES:

- 1. TECHNICAL CHARACTERISTICS:
 BODY MATERIAL: DIE CAST ALUMINIUM ALLOY
 SURFACE TREATMENT: POWDER-COATED, GRAY
 OPERATION TEMPERATURE: -40-+125°C
 DEGREE OF PROTECTION: IP65 (MATED)

注释:

- 1. 技术参数:
 主体材料: 铝合金
 表面处理: 粉末喷涂, 灰色
 工作温度: -40-+125°C
 防护等级: IP65(配合)

T1329160116-000	HI6A-TG-PG16	PG16
T1329160120-000	HI6A-TG-M20	M20
T1329160121-000	HI6A-TG-PG21	PG21
T1329160125-000	HI6A-TG-M25	M25
ASSEMBLY PART NUMBER	ASSEMBLY PART DESCRIPTION	PG/M

THIS DRAWING IS A CONTROLLED DOCUMENT.		DWN DAVID LI 07MAY2015	TE Connectivity	
DIMENSIONS: mm		CHK CHRIS WANG 07MAY2015		
TOLERANCES UNLESS OTHERWISE SPECIFIED:		APVD XU XIANG 07MAY2015	NAME HI6A-TG-PG/M	
0 PLC ±-		PRODUCT SPEC 108-137010	SIZE A3	
1 PLC ±-		APPLICATION SPEC 114-137010	CAGE CODE -	DRAWING NO C-T13291601XX000
2 PLC ±-		WEIGHT -	RESTRICTED TO -	
3 PLC ±-		CUSTOMER DRAWING	SCALE 1:1	SHEET 1
4 PLC ±-			OF 1	REV A
ANGLES ±-				
FINISH -				