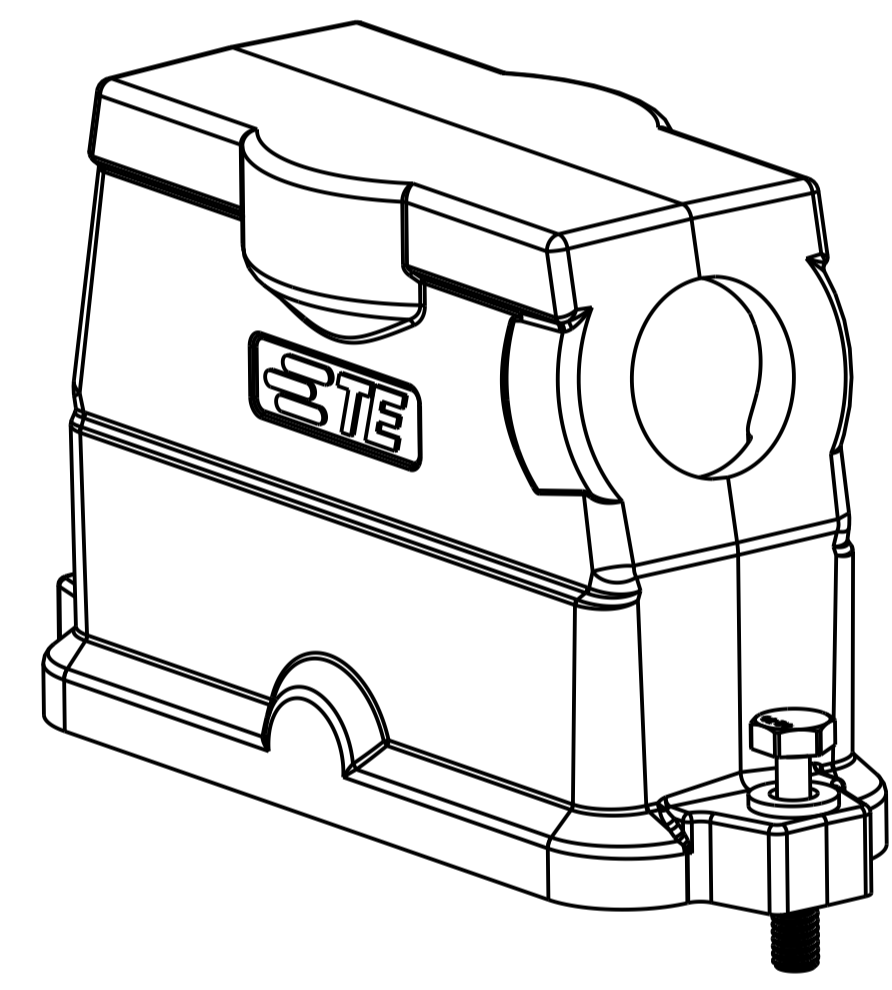
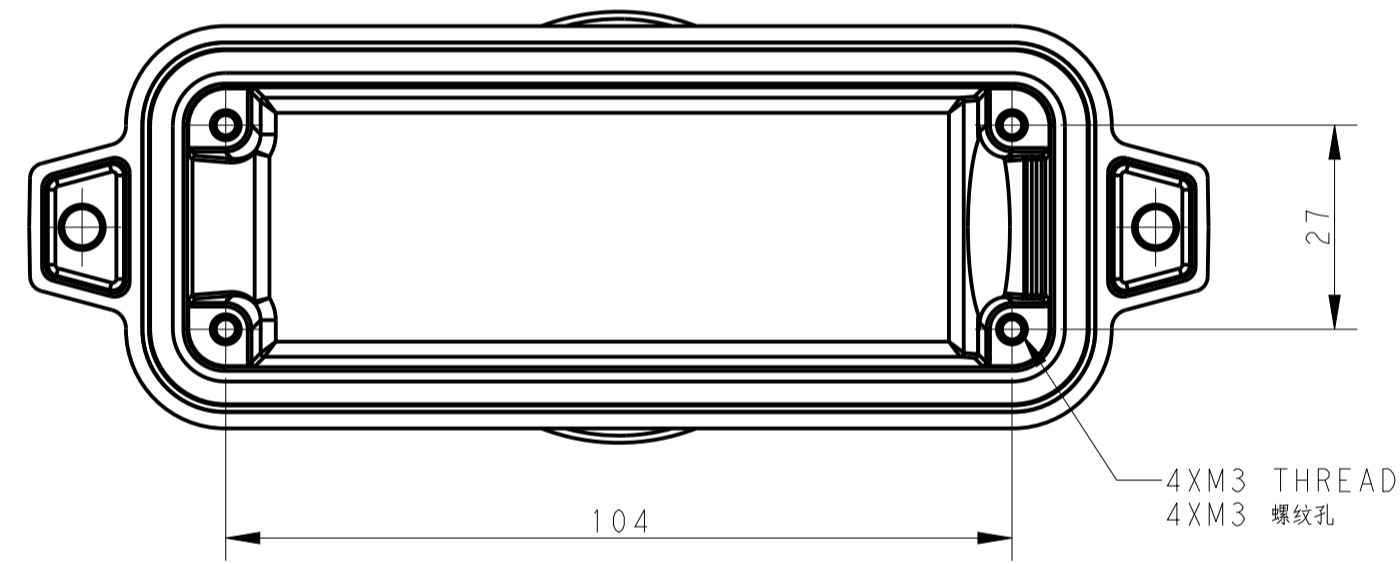
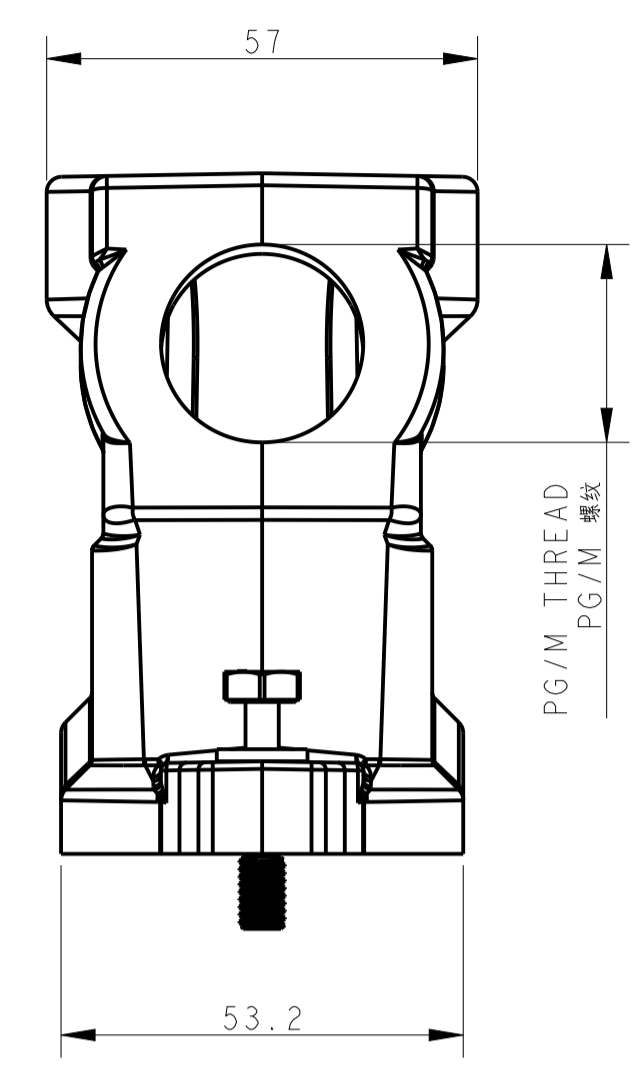
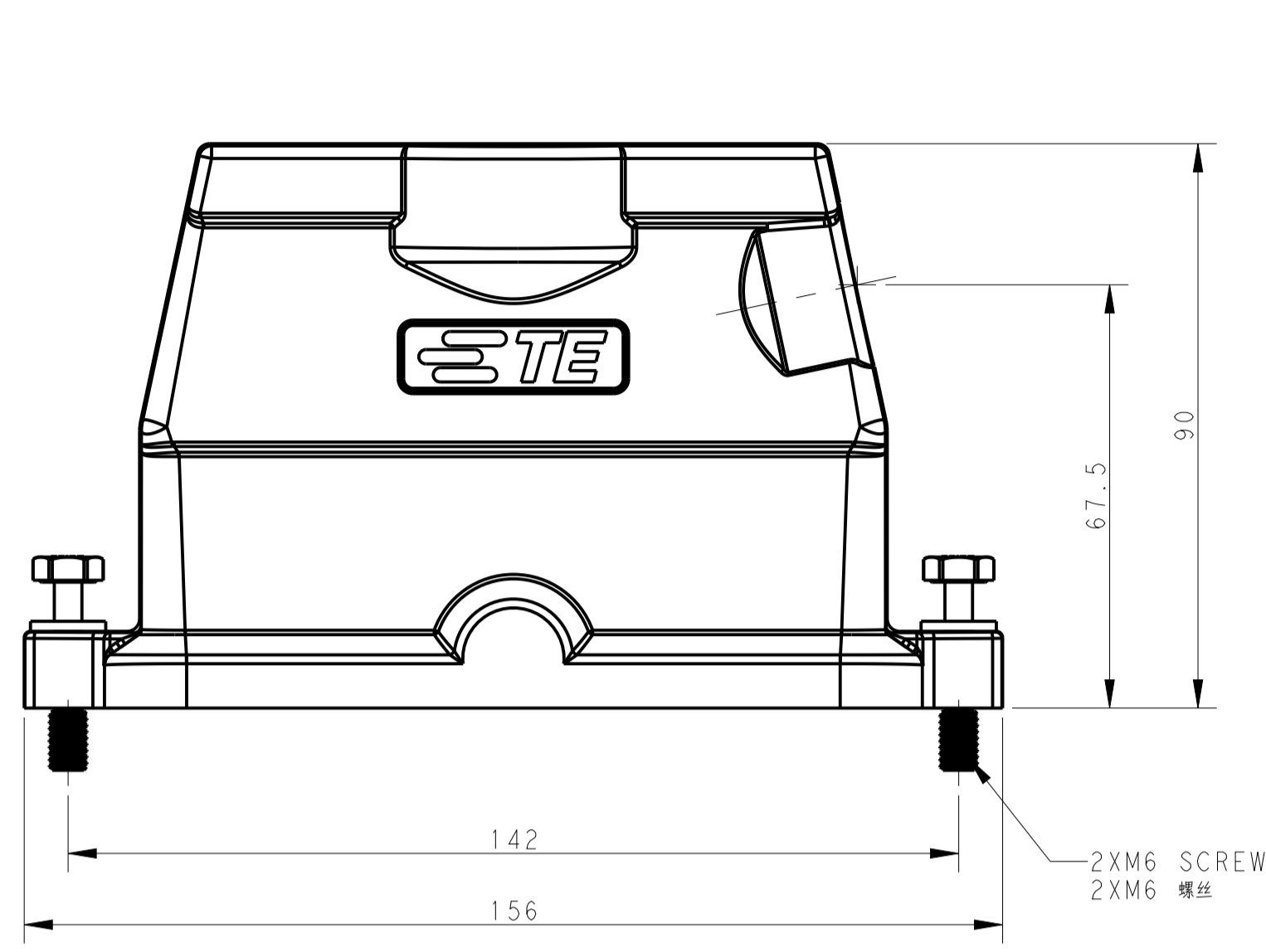


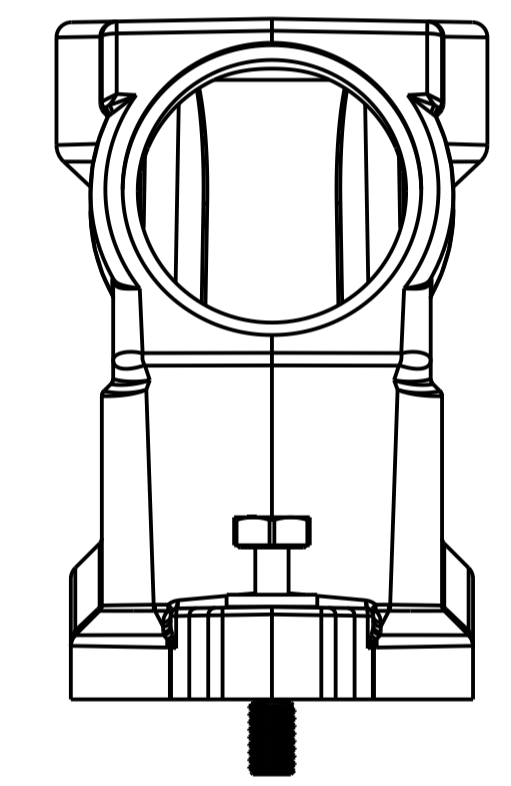
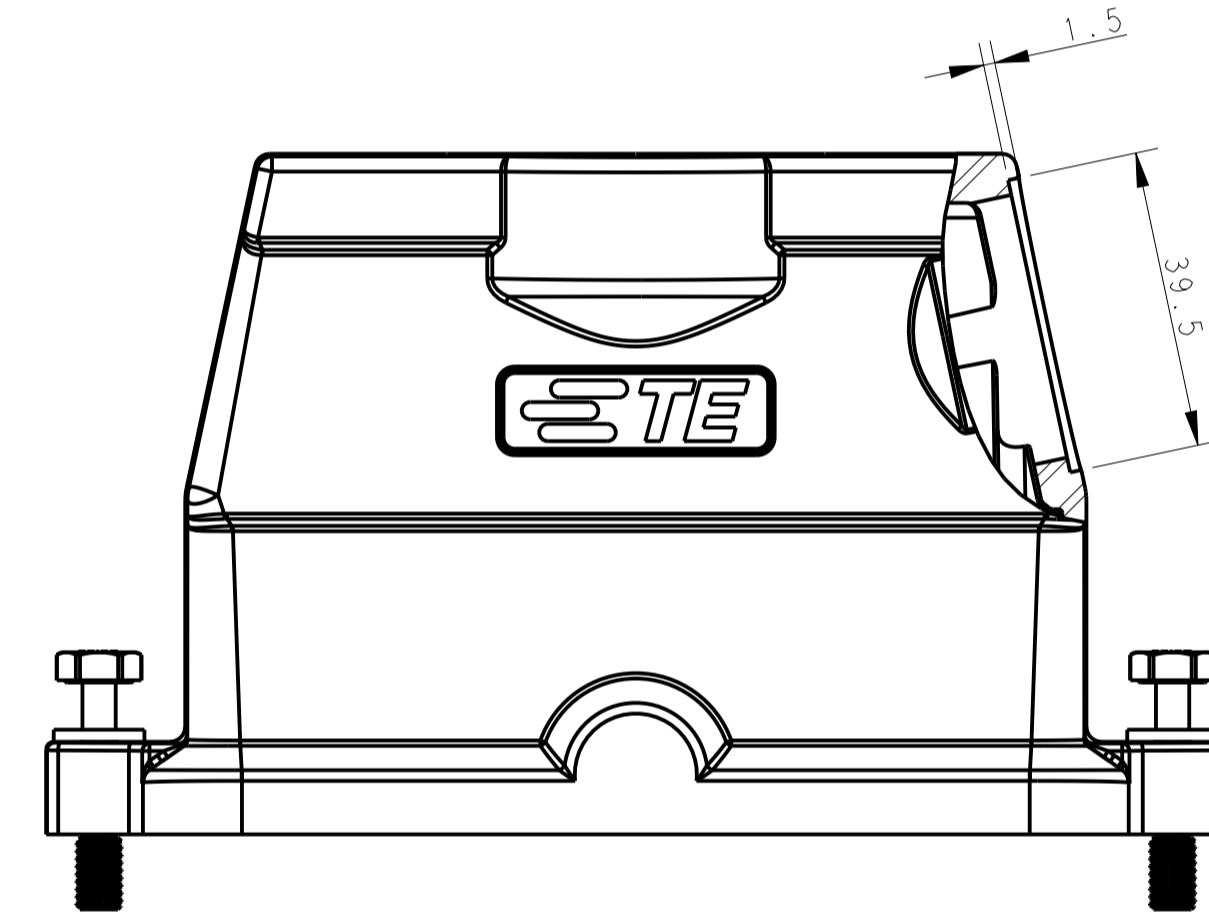
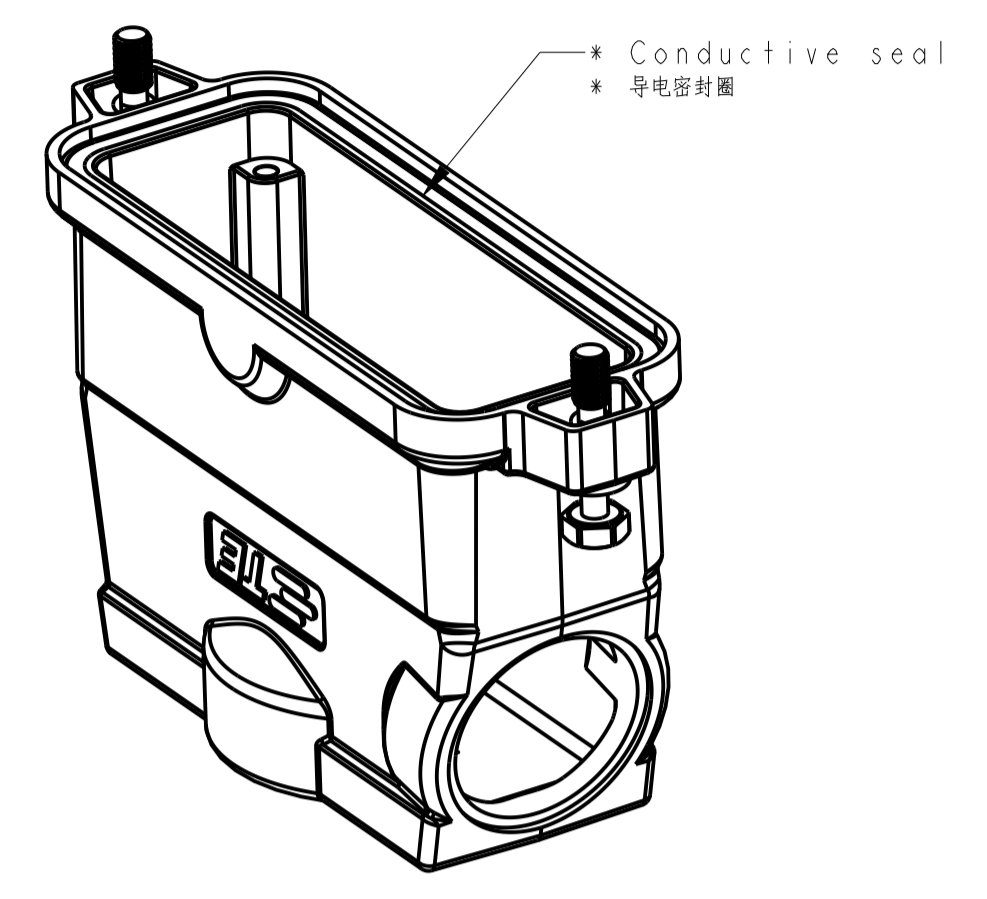
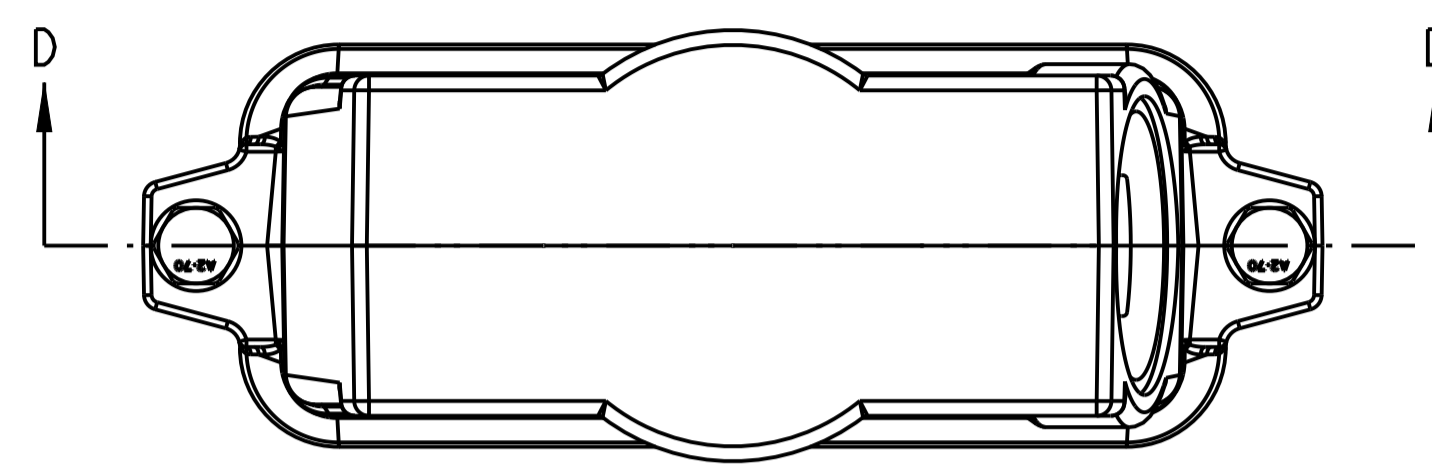
TYPE 1
类型1

With nonconductive seal / 带非导电密封圈



TYPE 2
类型2

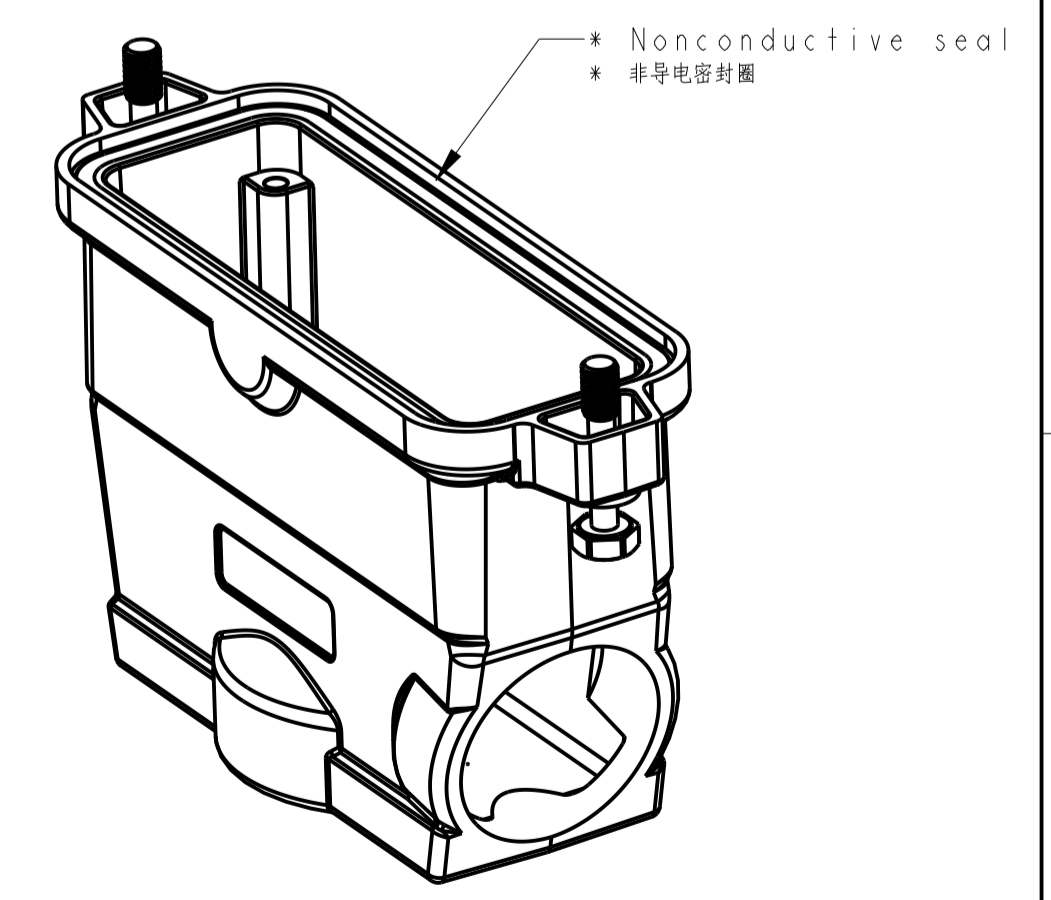
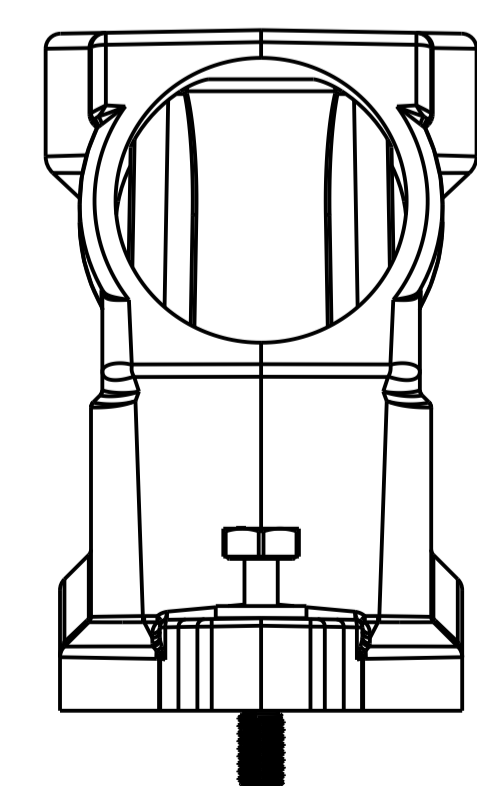
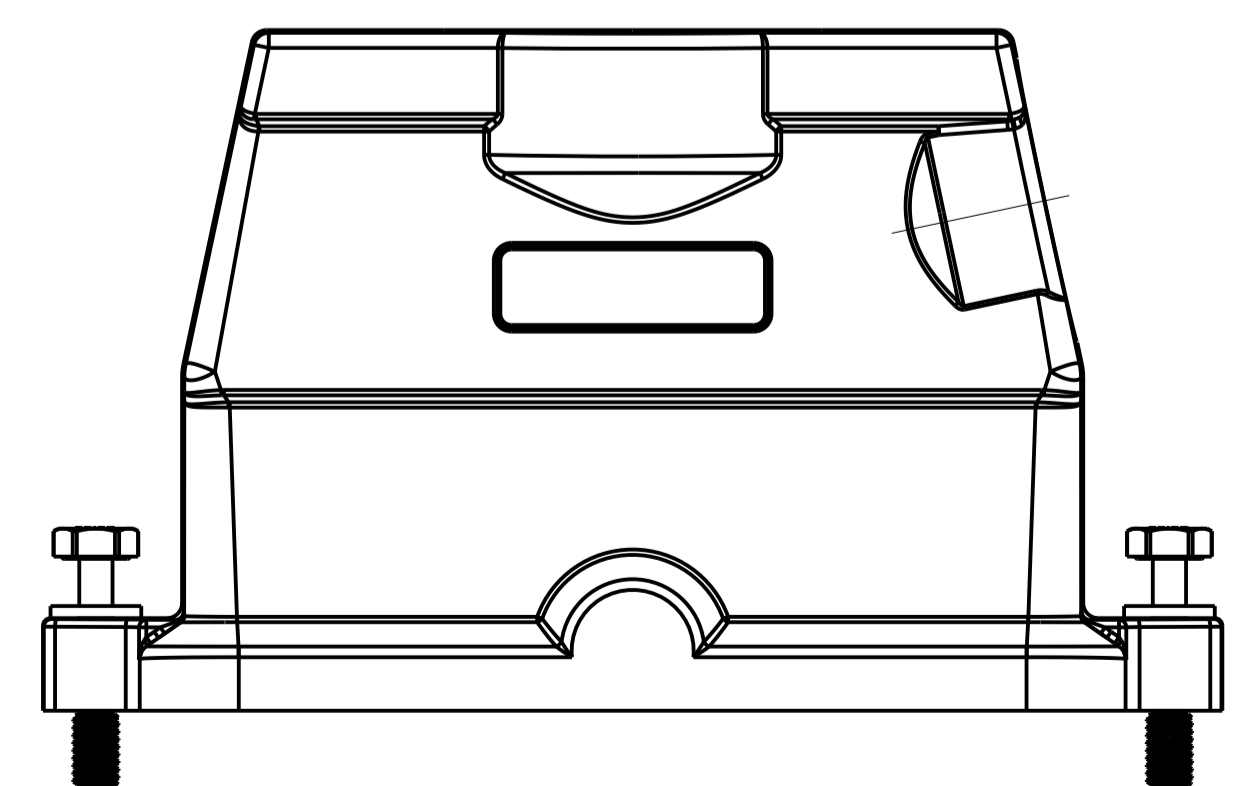
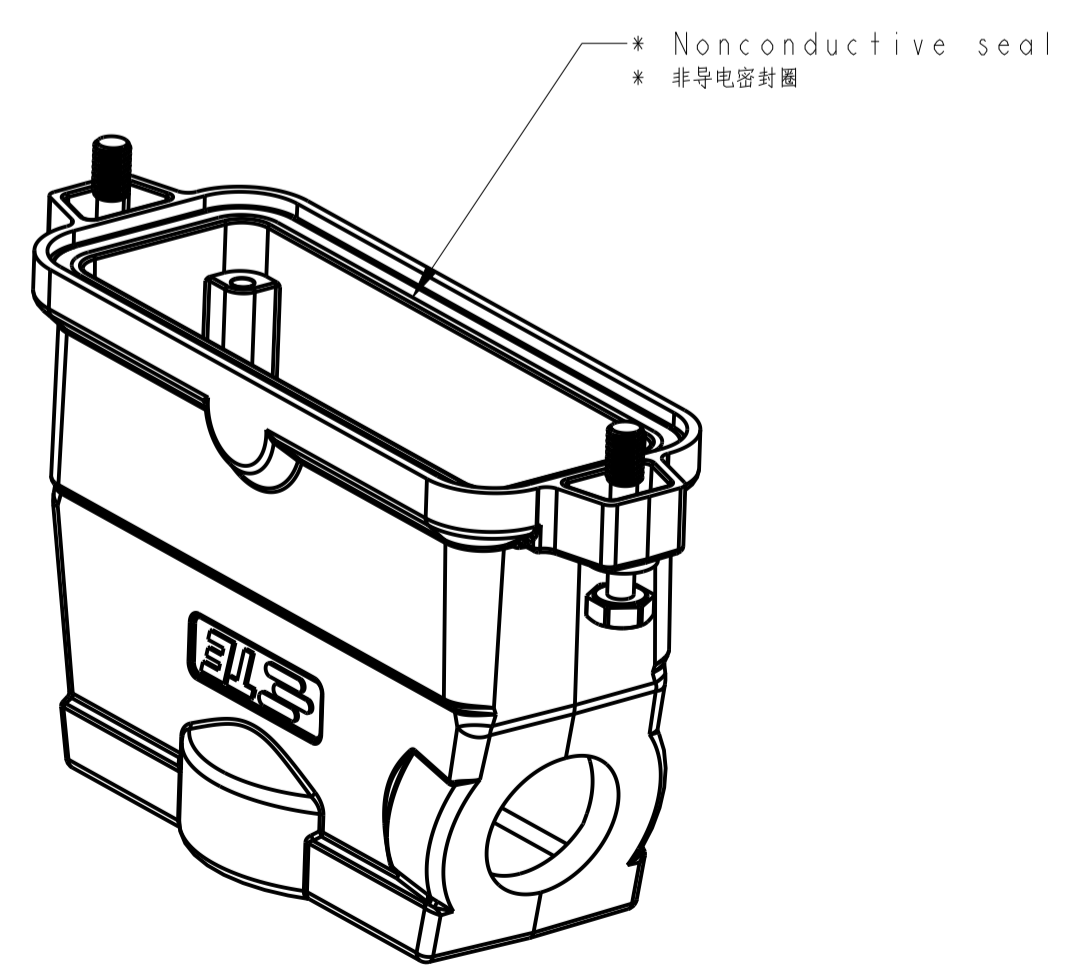
With conductive seal / 带导电密封圈



All dimension is same as TYPE 1, except those defined in this TYPE
除了在本类型中定义的尺寸外,其他尺寸同类型1

TYPE 3
类型3

With nonconductive seal, no logo / 带非导电密封圈,无logo



All dimension is same as TYPE 1, just no logo
所有的尺寸与类型1相同, 仅无logo

REVISIONS				
P	LTN	DESCRIPTION	DATE	APVD
A		INITIAL RELEASE	16JUN2015	GY CW
B		ECR-16-007814	31MAY2016	GY CW
B1		ECR-18-009564	19SEP2018	CD CW
B2		ECR-19-007133	14MAY2019	BS CW


THIS DRAWING IS A CONTROLLED DOCUMENT.		DWN: Gino_Yao 16JUN2015	TE Connectivity
DIMENSIONS:		CHK: Chris_Wong 16JUN2015	
mm	0 PLC ±	APVD: Yiqiao_Yu 16JUN2015	NAME: H24BPR-TSHC-PG/M
	1 PLC ±	PRODUCT SPEC	SIZE: A1
	2 PLC ±	108-137014	CAGE CODE: -
	3 PLC ±	APPLICATION SPEC	DRAWING NO: C-T191224XXXXX00
	4 PLC ±	114-137014	RESTRICTED TO: -
MATERIAL:	FINISH:	WEIGHT:	CUSTOMER DRAWING
		SCALE: 1:1	SHEET 1 OF 2
		REV: B2	

REVISIONS				
REV	LTN	DESCRIPTION	DATE	OWN APVD
-	-	SEE SHEET 1	-	-

NOTES:
 1. TECHNICAL CHARACTERISTICS:
 HOOD MATERIAL: DIE CAST ALUMINIUM ALLOY
 SURFACE TREATMENT: SEE TABLE
 DEGREE OF PROTECTION: IP68 (MATED)

注释
 1. 技术参数:
 壳体材料: 铝合金
 表面处理: 见表格
 防护等级: IP68 (配合)

PART NUMBER 零件料号	SURFACE TREATMEN 表面处理	DESCRIPTION 描述	PG/M THREAD PG/M 螺紋	TYPE 类型
T1912242140-001	POWDER COATED, DEEP GREY 表面喷涂, 深灰色	H24BPR-TSHC-M40 H24BPR HOOD, CENTER LOCKING, SIDE ENTRY M40, POWDER COATED, DEEP GREY, NO LOGO H24BPR上壳, 中部锁定, 侧出M40, 深灰色粉末喷涂, 无LOGO	M40	TYPE 3 类型3
T1912242125-001	POWDER COATED, DEEP GREY 表面喷涂, 深灰色	H24BPR-TSHC-M25 H24BPR HOOD, CENTER LOCKING, SIDE ENTRY M25, POWDER COATED, DEEP GREY, NO LOGO H24BPR上壳, 中部锁定, 侧出M25, 深灰色粉末喷涂, 无LOGO	M25	
T1912242132-001	POWDER COATED, DEEP GREY 表面喷涂, 深灰色	H24BPR-TSHC-M32 H24BPR HOOD, CENTER LOCKING, SIDE ENTRY M32, POWDER COATED, DEEP GREY, NO LOGO H24BPR上壳, 中部锁定, 侧出M32, 深灰色粉末喷涂, 无LOGO	M32	
T1912242129-001	POWDER COATED, DEEP GREY 表面喷涂, 深灰色	H24BPR-TSHC-PG29 H24BPR HOOD, CENTER LOCKING, SIDE ENTRY PG29, POWDER COATED, DEEP GREY, NO LOGO H24BPR上壳, 中部锁定, 侧出PG29, 深灰色粉末喷涂, 无LOGO	PG29	TYPE 2 类型2
T1912241129-001	POWDER COATED, SILVER WHITE 表面喷涂, 银白色	H24BPR-TSHC-PG29 H24BPR HOOD, CENCER LOCKING, SIDE ENTRY, PG29, POWDER COATED, SILVER WHITE, CONDUCTIVE, CUTTING SIDE PG29 STEP H24BPR上壳, 中部锁定, 侧出PG29, 银白色粉末喷涂, 导电版, 螺紋孔带台阶	PG29	
T1912240129-001	POWDER COATED, BLACK 表面喷涂, 黑色	H24BPR-TSHC-PG29 H24BPR HOOD, CENCER LOCKING, SIDE ENTRY, PG29, POWDER COATED, BLACK, CONDUCTIVE, CUTTING SIDE PG29 STEP H24BPR上壳, 中部锁定, 侧出PG29, 黑色粉末喷涂, 导电版, 螺紋孔带台阶	PG29	TYPE 1 类型1
T1912241140-000	POWDER COATED, SILVER WHITE 表面喷涂, 银白色	H24BPR-TSHC-M40 H24BPR HOOD, CENCER LOCKING, SIDE ENTRY, M40, POWDER COATED, SILVER WHITE H24BPR上壳, 中部锁定, 侧出M40, 银白色粉末喷涂	M40	
T1912241136-000	POWDER COATED, SILVER WHITE 表面喷涂, 银白色	H24BPR-TSHC-PG36 / H24BPR中部锁定侧出上壳PG36 银白色	PG36	
T1912241132-000	POWDER COATED, SILVER WHITE 表面喷涂, 银白色	H24BPR-TSHC-PG32 H24BPR HOOD, CENCER LOCKING, SIDE ENTRY, PG32, POWDER COATED, SILVER WHITE H24BPR上壳, 中部锁定, 侧出PG32, 银白色粉末喷涂	M32	
T1912241129-000	POWDER COATED, SILVER WHITE 表面喷涂, 银白色	H24BPR-TSHC-PG29 H24BPR HOOD, CENCER LOCKING, SIDE ENTRY, PG29, POWDER COATED, SILVER WHITE H24BPR上壳, 中部锁定, 侧出PG29, 银白色粉末喷涂	PG29	
T1912241125-000	POWDER COATED, SILVER WHITE 表面喷涂, 银白色	H24BPR-TSHC-M25 H24BPR HOOD, CENCER LOCKING, SIDE ENTRY, M25, POWDER COATED, SILVER WHITE H24BPR上壳, 中部锁定, 侧出M25, 银白色粉末喷涂	M25	
T1912241121-000	POWDER COATED, SILVER WHITE 表面喷涂, 银白色	H24BPR-TSHC-PG21 H24BPR HOOD, CENCER LOCKING, SIDE ENTRY, PG21, POWDER COATED, SILVER WHITE H24BPR上壳, 中部锁定, 侧出PG21, 银白色粉末喷涂	PG21	
T1912240140-000	POWDER COATED, BLACK / 表面喷涂, 黑色	H24BPR-TSHC-M40 H24BPR HOOD, CENCER LOCKING, SIDE ENTRY, M40, POWDER COATED, BLACK H24BPR上壳, 中部锁定, 侧出M40, 黑色粉末喷涂	M40	
T1912240136-000	POWDER COATED, BLACK / 表面喷涂, 黑色	H24BPR-TSHC-PG36 / H24BPR中部锁定侧出上壳PG36 黑色	PG36	
T1912240132-000	POWDER COATED, BLACK / 表面喷涂, 黑色	H24BPR-TSHC-M32 H24BPR HOOD, CENCER LOCKING, SIDE ENTRY, M32, POWDER COATED, BLACK H24BPR上壳, 中部锁定, 侧出M32, 黑色粉末喷涂	M32	
T1912240129-000	POWDER COATED, BLACK / 表面喷涂, 黑色	H24BPR-TSHC-PG29 H24BPR HOOD, CENCER LOCKING, SIDE ENTRY, PG29, POWDER COATED, BLACK H24BPR上壳, 中部锁定, 侧出PG29, 黑色粉末喷涂	PG29	
T1912240125-000	POWDER COATED, BLACK / 表面喷涂, 黑色	H24BPR-TSHC-M25 H24BPR HOOD, CENCER LOCKING, SIDE ENTRY, M25, POWDER COATED, BLACK H24BPR上壳, 中部锁定, 侧出M25, 黑色粉末喷涂	M25	
T1912240121-000	POWDER COATED, BLACK / 表面喷涂, 黑色	H24BPR-TSHC-PG21 H24BPR HOOD, CENCER LOCKING, SIDE ENTRY, PG21, POWDER COATED, BLACK H24BPR上壳, 中部锁定, 侧出PG21, 黑色粉末喷涂	PG21	

THIS DRAWING IS A CONTROLLED DOCUMENT.		OWN Gino Yoo 16JUN2015	 TE Connectivity
DIMENSIONS:		CHK Chris Wong 16JUN2015	
TOLERANCES UNLESS OTHERWISE SPECIFIED:		APVD Yiann Yu 16JUN2015	
mm 0 PLC ± 2 PLC ± 3 PLC ± 4 PLC ± ANGLES ±		PRODUCT SPEC 108-137014 APPLICATION SPEC 114-137014	
MATERIAL	FINISH	WEIGHT	SIZE CAGE CODE DRAWING NO A1 - C=T191224XXXXX00 RESTRICTED TO
CUSTOMER DRAWING		SCALE 1:1	SHEET 2 OF 2 REV B2