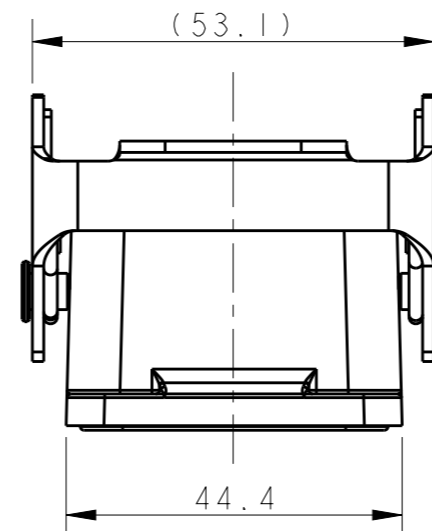
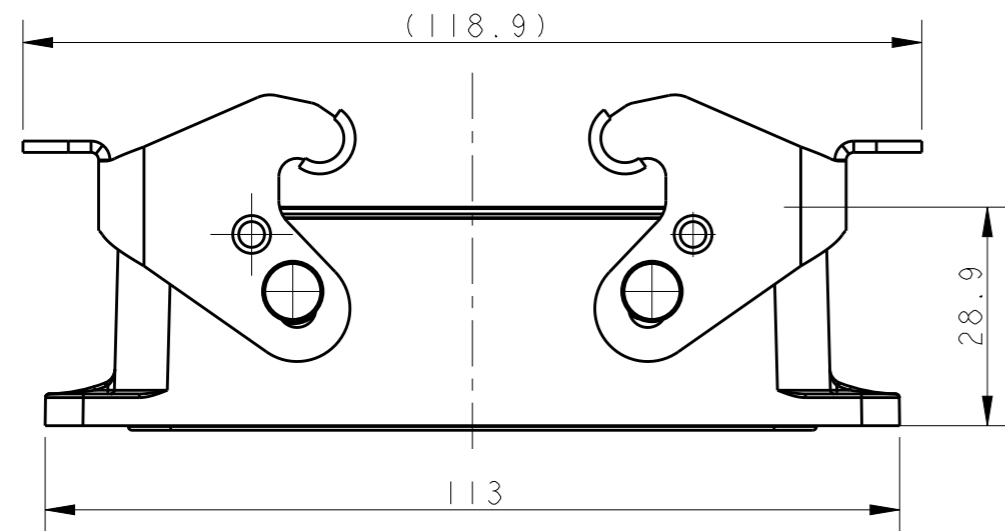
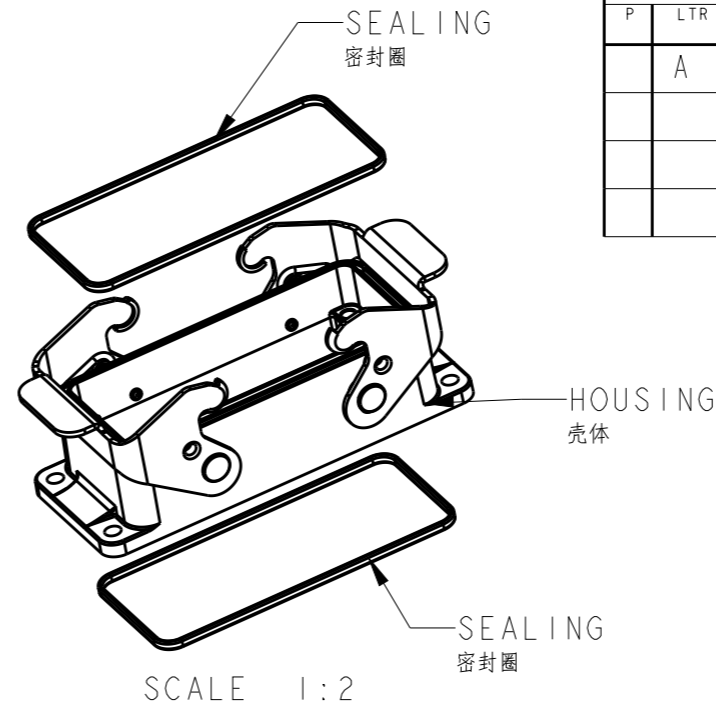
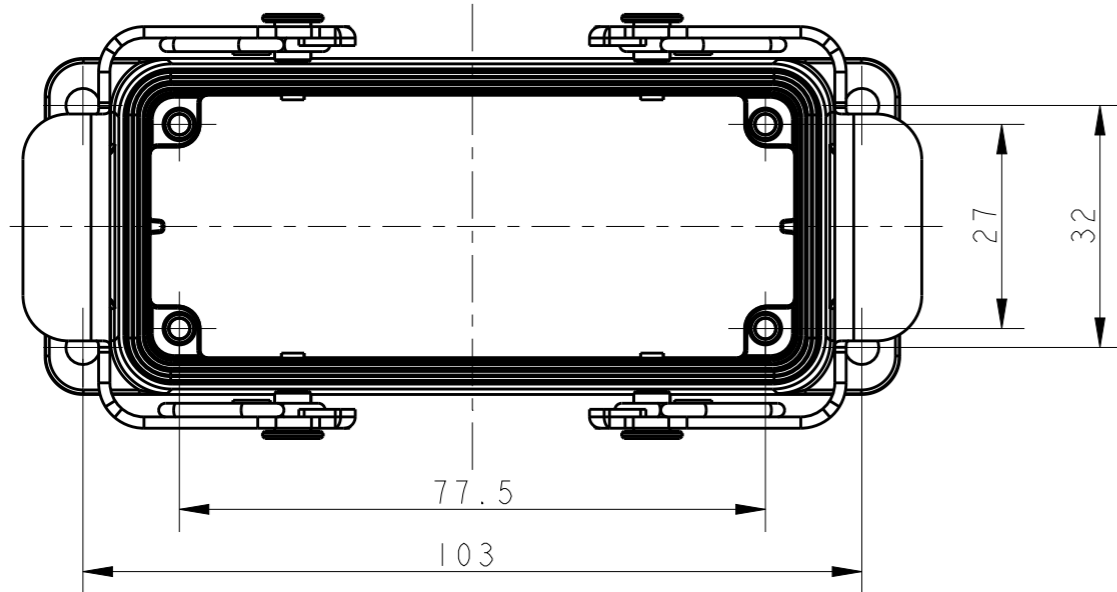
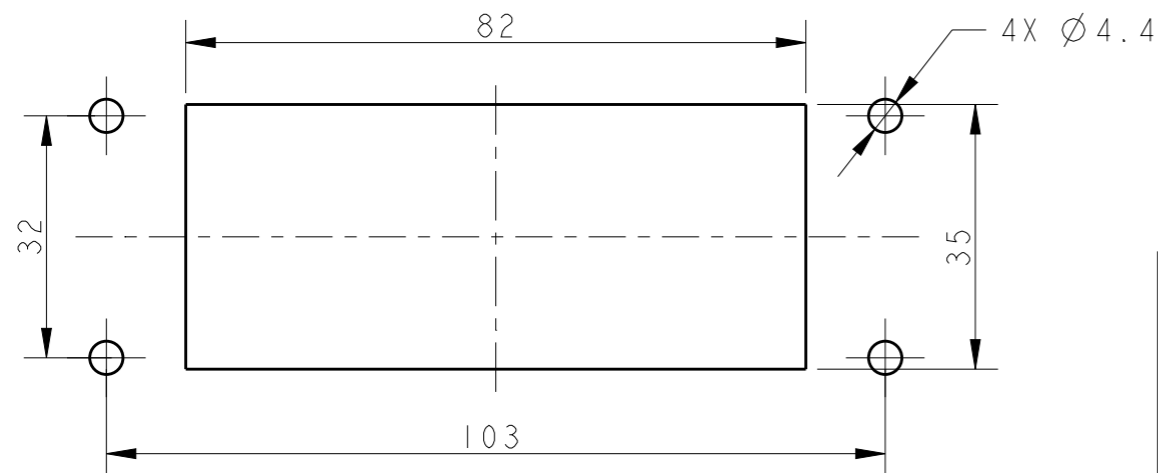


P	LTR	DESCRIPTION	DATE	DWN	APVD
	A	INITIAL	25JAN2019	KW	CW



NOTES:
 1. TECHNICAL CHARACTERISTICS:
 HOUSING MATERIAL: DIE CAST ALUMINIUM ALLOY
 HOUSING SURFACE: CONDUCTIVE PAINTING
 HOUSING SURFACE COLOR: TRANSPARENCY
 SEAL MATERIAL: CONDUCTIVE NBR
 DEGREE OF PROTECTION: IP65 (MATED)

注释:
 1. 技术参数:
 下壳材料: 铝合金
 下壳表面处理: 喷导电漆
 下壳表面处理颜色: 透明
 密封圈材料: 导电NBR
 防护等级: IP65(配合)



PANEL CUT OUT DIMENSION, ONLY FOR REFERENCE
 面板开口尺寸, 仅供参考

T1415162000-000	H16B-AG-EMC	H16B EMC HOUSING, BULKHEAD MOUNTED, METAL DOUBLE LOCKING H16B屏蔽下壳, 开孔安装, 彩锌双扣
PART NUMBER 料号	PART DESCRIPTION 描述	

THIS DRAWING IS A CONTROLLED DOCUMENT.		DWN 25JAN2019 KAYLA WANG	TE Connectivity	
DIMENSIONS: mm		CHK 25JAN2019 GINO YAO		
TOLERANCES UNLESS OTHERWISE SPECIFIED:		APVD 25JAN2019 CHRIS WANG	NAME H16B-AG-EMC	
0 PLC ±-		PRODUCT SPEC 108-137016	SIZE A3	
1 PLC ±-		APPLICATION SPEC 114-137016	CAGE CODE 00779	DRAWING NO T1415162000000
2 PLC ±-		WEIGHT -	RESTRICTED TO -	
3 PLC ±-		MATERIAL -	SCALE 1:1	
4 PLC ±-			SHEET 1 OF 1	
ANGLES ±-		REV A		
FINISH -		CUSTOMER DRAWING		